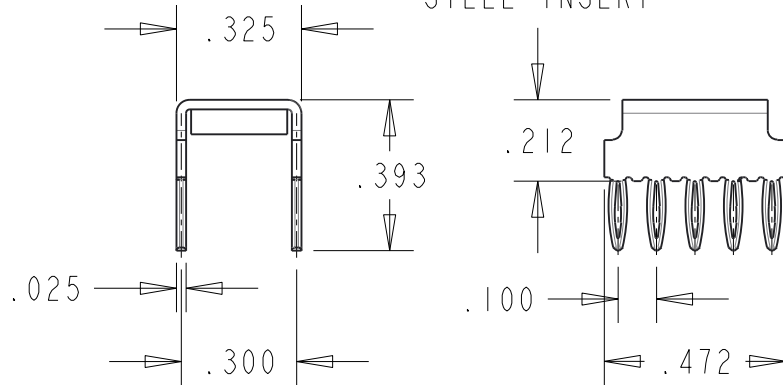
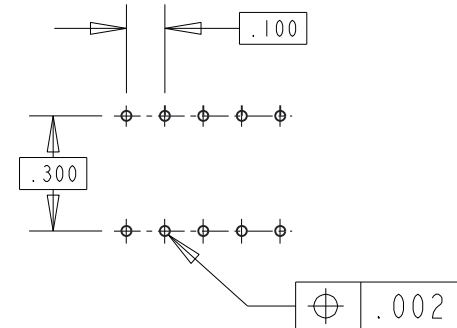


— THREADLED STAINLESS
STEEL INSERT



NOTES:

1. MATERIAL: PHOS. BRONZE, ALLOY 510
2. FINISH: SEE CHART
3. RECOMMENDED PC HOLE SIZE $.040 \pm .003$
4. PART NUMBER: SEE CHART
5. THREADED INSERT PUSH OUT FORCE:
30 Lbs. MIN.



RECOMMENDED PC HOLE PATTERN

PART NUMBER	PLATING	THREAD TYPE
PPT-M4	100/150 μ IN TIN OVER 50/80 μ IN NICKEL	M4 X 0.7
PPT-632	100/150 μ IN TIN OVER 50/80 μ IN NICKEL	#6-32 UNC



						 www.pancon.de / GERMANY www.panconconnectors.com / USA		E. TAUNTON, MA	
						POWER TAP CONNECTOR 10 PIN W/ THREADED INSERT			
						UNLESS OTHERWISE SPECIFIED DIMENSIONAL TOLERANCES ARE: (.X) \pm (.XXX) \pm (.XX) \pm (ANGLES) \pm		UNLESS OTHERWISE SPECIFIED, ALL DIMENSIONS ARE GIVEN IN INCHES. THIRD ANGLE PROJECTION	
						DRAWN BY: DWS		MATERIAL:	
						DATE: 7/18/12		SCALE: 2/1	
S	7/18/12	DWS		REDRAWN & CHARTED		CHK'D		DRAWING NO. KA-10531	
REV.	DATE	BY	CHK	DESCRIPTION	CN	-	R	CST	SUP
						SHL		10F	

DWG.
A
SIZE