

MICRO SWITCH

FREERPORT ILLINOIS, U.S.A
A DIVISION OF HONEYWELL
FED. MFG. CODE 91929

ACTUATOR-SWITCH

CATALOG LISTING

JS-307

CBV-9938

JG-22953

JS-307

M

DRAWING NUMBER

ISSUE
3 X 7
8 X 8

REVISIONS

A	PR-1924	14 JUL 71
B	C029325	28 AUG 71
C	C066329	15 MAR 91
D	TSM C073449	085DW6
E	CSL REINST. C078172	11 NOV 92
F	SAD C0031713	10 AUG 94
	JA 20JUN07	

REPLACES

RELEASE NO. PR-1924

PSR 20JUN07

CHECK

5 SEPT 69

MES

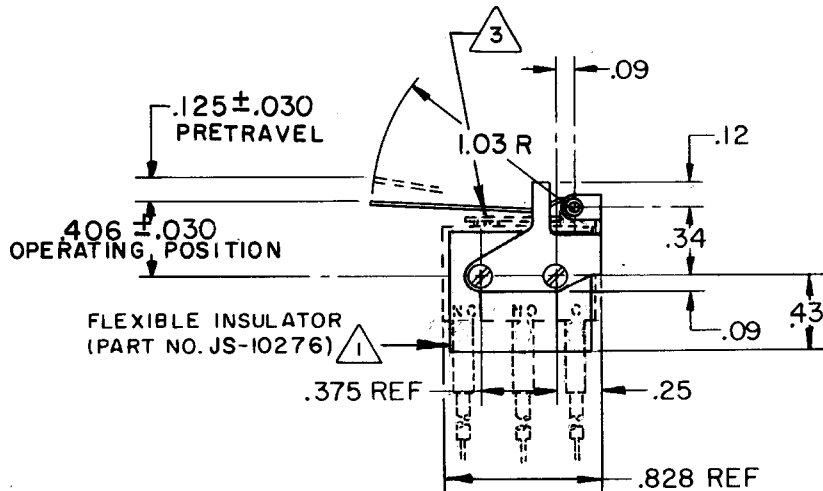
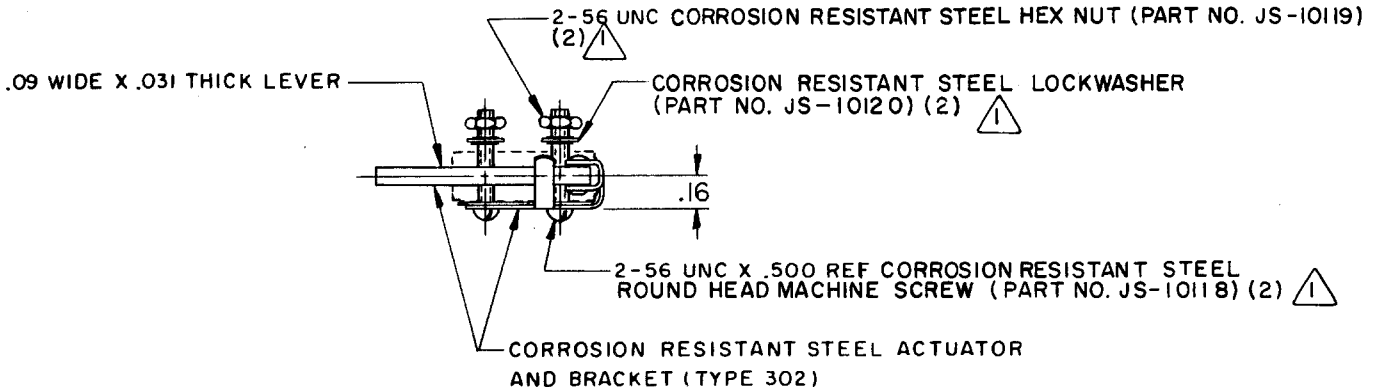
CHECK

5 SEPT 69

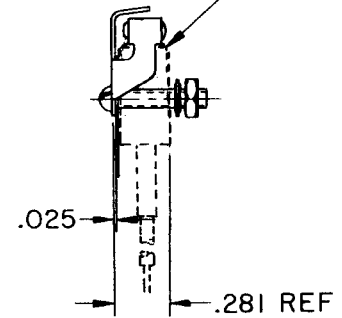
PAW

CHECK

D L F 20 AUG 69



DOTTED LINES INDICATE BASIC SWITCH IN PLACE



NOTE -

- 1
- 2
- 3

FURNISHED UNASSEMBLED
CHARACTERISTICS WITH 6HMI-1
BASIC SWITCH INSTALLED
ADJUSTMENT CAUTION: DO NOT ALLOW ACTUATOR LEVER TO
COME IN CONTACT WITH HM LEVER TO PREVENT SWITCH
SEAL DAMAGE

THIS DRAWING COVERS A PROPRIETARY ITEM AND IS THE PROPERTY OF MICRO SWITCH, A DIVISION OF HONEYWELL. THIS DRAWING IS NOT TO BE COPIED OR USED WITHOUT THE APPROVAL OF MICRO SWITCH.

CHARACTERISTICS

OPERATING FORCE	1.50 OZ MAX
RELEASE FORCE	4 GRAM MIN
DIFFERENTIAL TRAVEL	.056 MAX
OVERTRAVEL	.025 MIN

ELECTRICAL DATA

CONTACT ARRANGEMENT

SCALE FULL

DO NOT SCALE PRINT

UNLESS OTHERWISE NOTED

DIMENSIONS ARE IN INCHES

TOLERANCES ARE:

ONE PLACE (.0)	±.030
TWO PLACE (.00)	±.015
THREE PLACE (.000)	±.005
ANGLES	±

WEIGHT