

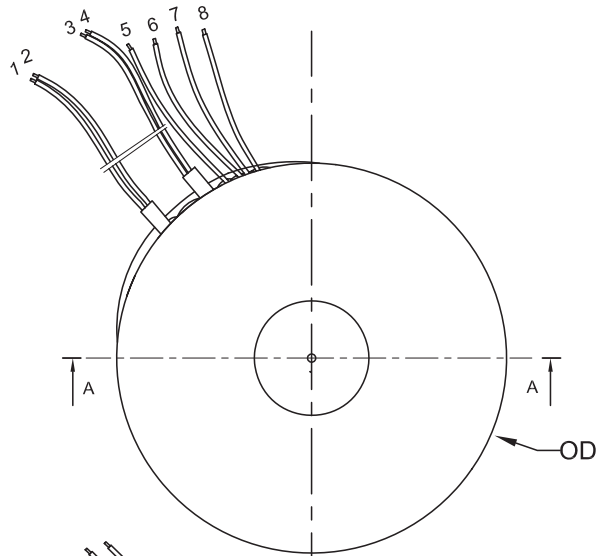


PART NO.

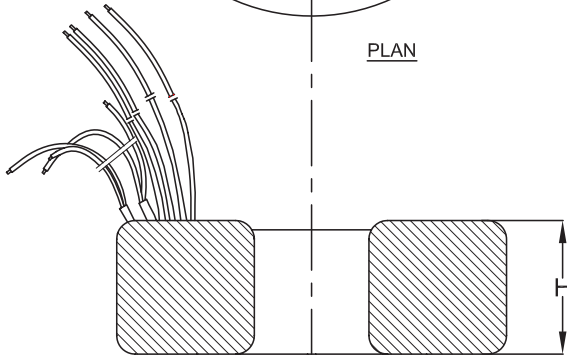
MCTA050 Series

REVISIONS

ECN #	REV	DESCRIPTION	DRAWN	DATE	CHECKD	DATE	APPRVD	DATE
-	1.0	RELEASED	SK	09/04/15	ER	09/04/15	ER	09/04/15



PLAN



Sectional Elevation on A-A

No.	Primary				Secondary			
	1	2	3	4	5	6	7	8
Lead Colour	Grey	Blue	Brown	Violet	Red	Black	Yellow	Orange
Lead Length (Tolerance $\pm 5$ )	150	150	150	150	150	150	150	150
Lead Termination	All Leads tinned to 6mm							

MCTA050 Series	Nominal Dimensions	
	OD	H
Including leads	81mm	32mm

Part Number Table

Description	AWG Size		Part Number
	Prim.	Sec.	
Transformer, Toroidal, 2 x 6V, 50VA	22	20	MCTA050/06
Transformer, Toroidal, 2 x 9V, 50VA	22	20	MCTA050/09
Transformer, Toroidal, 2 x 12V, 50VA	22	22	MCTA050/12
Transformer, Toroidal, 2 x 15V, 50VA	22	22	MCTA050/15
Transformer, Toroidal, 2 x 18V, 50VA	22	22	MCTA050/18
Transformer, Toroidal, 2 x 25V, 50VA	22	22	MCTA050/25
Transformer, Toroidal, 2 x 55V, 50VA	22	22	MCTA050/55

www.element14.com  
www.farnell.com  
www.newark.com

**Important Notice :** This data sheet and its contents (the "Information") belong to the members of the Premier Farnell group of companies (the "Group") or are licensed to it. No licence is granted for the use of it other than for information purposes in connection with the products to which it relates. No licence of any intellectual property rights is granted. The Information is subject to change without notice and replaces all data sheets previously supplied. The Information supplied is believed to be accurate but the Group assumes no responsibility for its accuracy or completeness, any error in or omission from it or for any use made of it. Users of this data sheet should check for themselves the Information and the suitability of the products for their purpose and not make any assumptions based on information included or omitted. Liability for loss or damage resulting from any reliance on the Information or use of it (including liability resulting from negligence or where the Group was aware of the possibility of such loss or damage arising) is excluded. This will not operate to limit or restrict the Group's liability for death or personal injury resulting from its negligence. Multicomp is the registered trademark of the Group. © Premier Farnell plc 2012.

**TOLERANCES:**  
UNLESS OTHERWISE SPECIFIED, DIMENSIONS ARE FOR REFERENCE PURPOSES ONLY.

DRAWN BY:	DATE:
AB	09/04/15
CHECKED BY:	DATE:
ER	09/04/15
APPROVED BY:	DATE:
ER	09/04/15

DRAWING TITLE:			
MCTA050 Series			
SIZE	DWG NO.	ELECTRONIC FILE	REV
A4	MCTA050-01	MCTA050	1.0
SCALE: NTS		U.O.M.: mm	SHEET: 1 of 1