

MATERIALS AND FINISHES

BODY BRASS
PLATED GOLD

CENTER CONTACT BRASS
PLATED GOLD

INSULATOR TEFLON

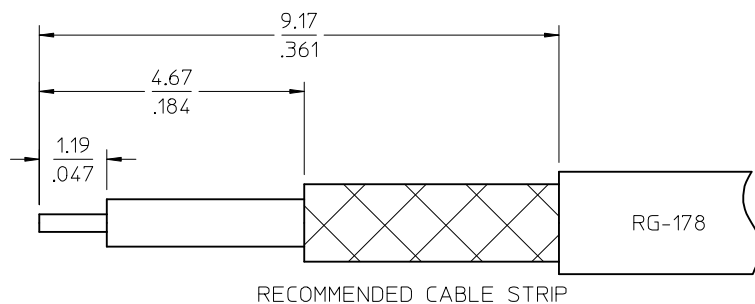
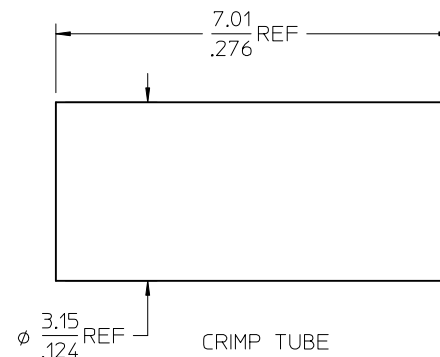
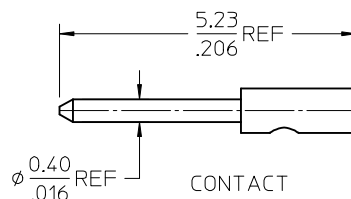
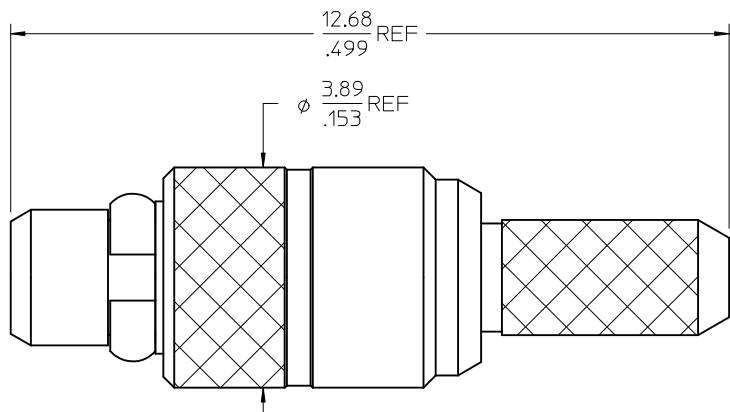
MMCX PLUG
INTERFACE

0.13±0.13
.005±.005

15.32
.603 REF

2.67
.105 HEX

RG178 CABLE



73415-0973	GOLD FLASH / PER BAG
73415-0972	P/N 73415-0971, ONE PIECE PER BAG
73415-0971	PER COMMERCIAL REQUIREMENTS, PACKAGING-BULK
73415-0970	PER MILITARY REQUIREMENTS, PACKAGING-BULK
PART NO.	PLATING AND PACKAGING

CECC 22 340	INTERFACE
PS-89675-1920	ELECTRO/MECH. PERFORM.
SPECIFICATION	DESCRIPTION

ADDED 73415-0973
PER PDR13111484
EC NO: URF2014-0356
DRW:INLIN 2013/12/10
CHKD:
APPR:MHUANG 2013/12/18

QUALITY SYMBOLS ▽=0 ▽=0	GENERAL TOLERANCES (UNLESS SPECIFIED)	DIMENSION STYLE MM/IN	SCALE	DESIGN UNITS METRIC	THIRD ANGLE PROJECTION
	4 PLACES ± --- ± --- 3 PLACES ± --- ± --- 2 PLACES ± --- ± --- 1 PLACE ± --- ± ---	DRAWN BY DATE TEF 1999/02/15 CHECKED BY DATE JOHNSON 2004/06/04 APPROVED BY DATE MISEN 2004/06/04	TITLE MMCX PLUG, STRAIGHT 50 OHMS, FOR RG178 CABLE MMCX-PC	MOLEX INCORPORATED	
DRAFT WHERE APPLICABLE MUST REMAIN WITHIN DIMENSIONS	SEE TABLE	MATERIAL NO.	DOCUMENT NO.	SHEET NO. 1 OF 1	
THIS DRAWING CONTAINS INFORMATION THAT IS PROPRIETARY TO MOLEX INCORPORATED AND SHOULD NOT BE USED WITHOUT WRITTEN PERMISSION					