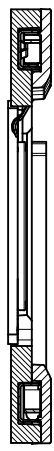
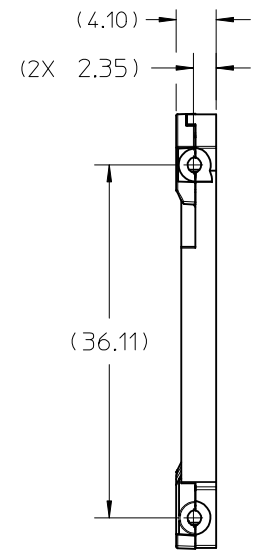
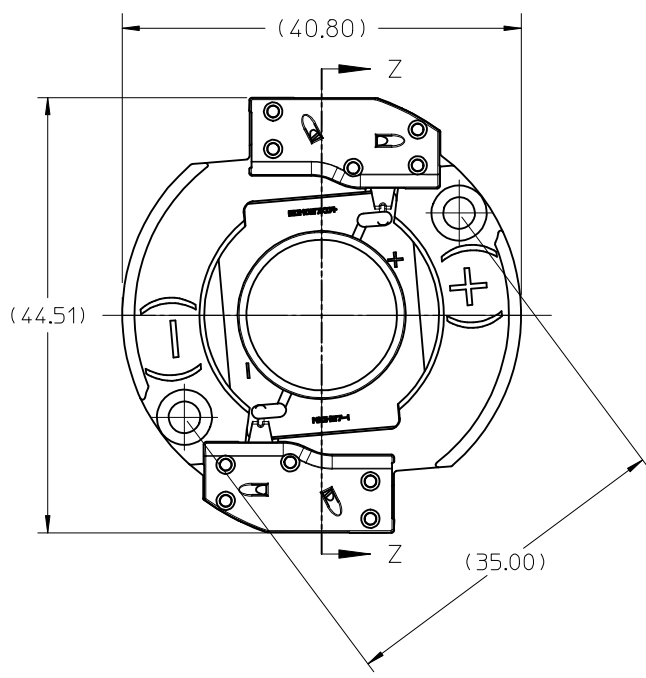


PART NUMBER	DESCRIPTION	MATERIAL	COLOR	AGENCY APPROVAL
180330-0002	LED HOLDER ASSEMBLY - NYLON	POLYAMIDE, GLASS FILLED	NATURAL	UL496 FILE# 345583
180330-0102	LED HOLDER ASSEMBLY - PBT	POLYESTER, GLASS FILLED	WHITE	-



SECTION Z-Z

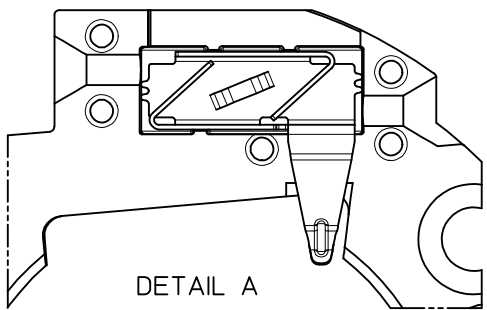
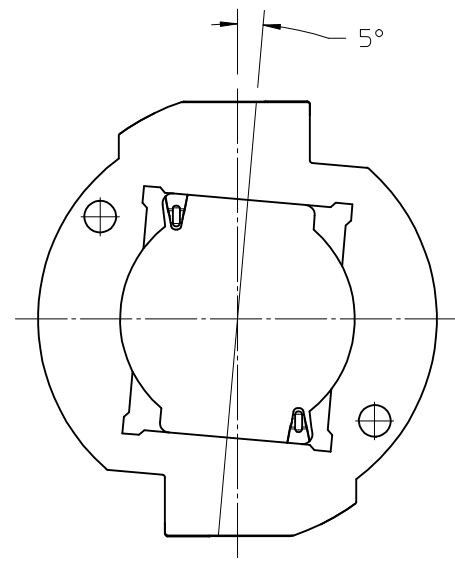
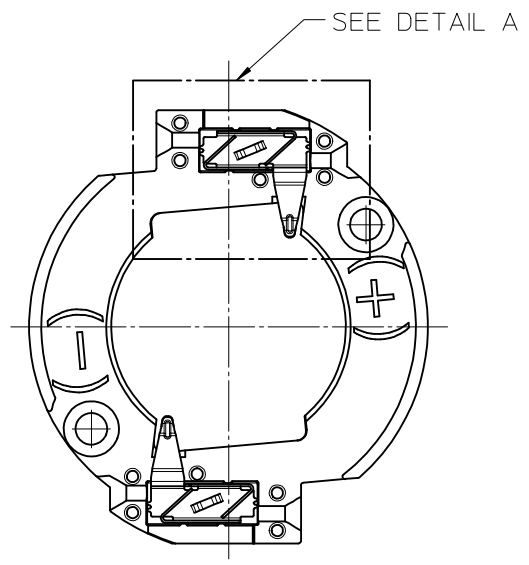


- NOTES:
- MATERIALS: HOUSING AND CAP: SEE CHART  
TERMINAL: COPPER ALLOY;
  - FINISHES: LED CONTACT: GOLD OVER  
NICKEL, WIRE TRAP: TIN OVER NICKEL
  - PRODUCT SPECIFICATION: PS-180330-002
  - PACKGING SPECIFICATION PK-180336-101
  - APPLICATION SPECIFICATION: AS-180328-001
  - APPLICABLE WIRE GAUGE - 18, 20, AND 22 AWG
    - TINNED SOLID WIRE IS PREFERRED
    - FOR STRANDED WIRE, PRE-TINNED IS RECOMMENDED
    - 10 mm +2/-0 mm STRIP LENGTH IS RECOMMENDED
  - MOUNT HOLDER USING M3 OR 4-40 SCREWS (2), SEE SHEET 3 FOR TORQUE SPECIFICATION.
  - THIS PRODUCT IS ELV AND ROHS COMPLIANT
  - ALL DIMENSIONS IN PARENTHESIS (XX.XX) ARE FOR REFERENCE ONLY

<b>ENTER DESCRIPTION</b> EC NO: SSL2015-0046 DRAWN BY: MCOLE CHKD: MCOLE APPR: GMEYER 2015/02/03 2015/02/12	<b>QUALITY SYMBOLS</b> $\nabla F/0$ $\nabla F/0$ $\nabla F/0$	<b>GENERAL TOLERANCES (UNLESS SPECIFIED)</b>		<b>DIMENSION STYLE</b> <b>MM ONLY</b>		<b>SCALE</b> 2:1	<b>DESIGN UNITS</b> METRIC	<b>THIRD ANGLE PROJECTION</b>	
		4 PLACES	± ---	± ---	DRAWN BY MDEVITO	DATE 2012/02/03	<b>TITLE</b> COB LED HOLDER 24.0MM X 20.0MM RECTANGULAR COB		
		3 PLACES	± ---	± ---	CHECKED BY MCOLE	DATE 2014/03/05			
		2 PLACES	± 0.13	± ---	APPROVED BY DMCGOWAN	DATE 2012/02/07	<b>MOLEX INCORPORATED</b>	<b>DOCUMENT NO.</b> SD-180330-002	<b>SHEET NO.</b> 1 OF 3
1 PLACE	± 0.25	± ---	<b>DRAFT WHERE APPLICABLE MUST REMAIN WITHIN DIMENSIONS</b>		<b>SEE CHART</b>	<b>THIS DRAWING CONTAINS INFORMATION THAT IS PROPRIETARY TO MOLEX INCORPORATED AND SHOULD NOT BE USED WITHOUT WRITTEN PERMISSION</b>			

10 9 8 7 6 5 4 3 2 1

WIRE TRAP CAPS ARE REMOVED FROM FRONT VIEW FOR CLARITY



DETAIL A  
Scale 4:1

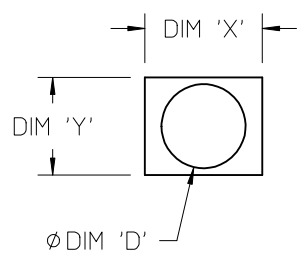
VIEW OF TWO-WAY WIRE TRAP

WIRE TRAPS WILL ACCOMMODATE  
EITHER 18, 20, OR 22 GAUGE WIRE

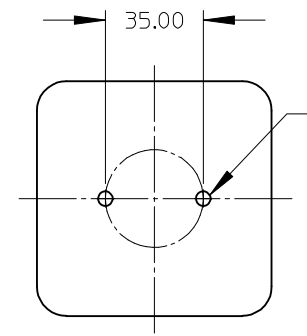
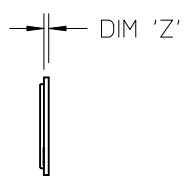
<b>ENTER DESCRIPTION</b> EC NO: SSL2015-0046 DRAWN/MCOLE 2015/02/03 CHKD: APPR:GMEYER 2015/02/12 REV	QUALITY SYMBOLS $\nabla=0$ $\nabla=0$ $\nabla=0$	GENERAL TOLERANCES (UNLESS SPECIFIED) mm INCH 4 PLACES ± --- ± --- 3 PLACES ± --- ± --- 2 PLACES ± 0.13 ± --- 1 PLACE ± 0.25 ± --- ANGULAR ± 1/2°	DIMENSION STYLE MM ONLY DRAWN BY DATE MDEVITO 2012/02/03 CHECKED BY DATE MCOLE 2014/03/05 APPROVED BY DATE DMCGOWAN 2012/02/07 MATERIAL NO.	SCALE 2:1 DESIGN UNITS METRIC THIRD ANGLE PROJECTION	TITLE COB LED HOLDER 24.0MM X 20.0MM RECTANGULAR COB MOLEX INCORPORATED DOCUMENT NO. SD-180330-002 SHEET NO. 2 OF 3	
	DRAFT WHERE APPLICABLE MUST REMAIN WITHIN DIMENSIONS		SEE CHART	THIS DRAWING CONTAINS INFORMATION THAT IS PROPRIETARY TO MOLEX INCORPORATED AND SHOULD NOT BE USED WITHOUT WRITTEN PERMISSION		

9 8 7 6 5 4 3 2 1

10	9	8	7	6	5	4	3	2	1
COB MFG.	TYPE	DIM. 'X'	DIM. 'Y'	DIM. 'Z'	DIM. 'D'				
SHARP	MEGA ZENIGATA	24.0	20.0	1.0	17.2				
LUMILEDS	LUXEON 1204	24.0	20.0	1.0	15.0				
LUMILEDS	LUXEON 1205	24.0	20.0	1.0	15.0				
LUMILEDS	LUXEON 1208	24.0	20.0	1.0	17.0				



COB LED  
SCALE 1:1



M3 OR 4-40 TAPPED HOLES (2)  
TORQUE: CERAMIC 0.2 N-M MIN TO 0.4 N-M MAX  
ALUMINUM 0.4 N-M MIN TO 0.8 N-M MAX

RECOMMENDED MOUNTING DIMENSIONS (NTS)

<b>ENTER DESCRIPTION</b> EC NO: SSL2015-0046 DRAWN: MCOLE 2015/02/03 CHKD: MCOLE APPR: GMEYER 2015/02/12	<b>QUALITY SYMBOLS</b> $\nabla = 0$ $\nabla = 0$ $\nabla = 0$	<b>GENERAL TOLERANCES (UNLESS SPECIFIED)</b>		<b>DIMENSION STYLE</b> <b>MM ONLY</b>		<b>SCALE</b> 1:1	<b>DESIGN UNITS</b> METRIC	<b>THIRD ANGLE PROJECTION</b>	
		4 PLACES $\pm$ --- $\pm$ --- 3 PLACES $\pm$ --- $\pm$ --- 2 PLACES $\pm$ 0.13 $\pm$ --- 1 PLACE $\pm$ 0.25 $\pm$ --- 0 PLACE $\pm$ --- $\pm$ ---	mm      INCH	<b>DRAWN BY</b> MDEVITO	<b>DATE</b> 2012/02/03	<b>TITLE</b> COB LED HOLDER 24.0MM X 20.0MM RECTANGULAR COB			
		ANGULAR $\pm 1/2^\circ$ DRAFT WHERE APPLICABLE MUST REMAIN WITHIN DIMENSIONS		<b>CHECKED BY</b> MCOLE	<b>DATE</b> 2014/03/05	<b>DOCUMENT NO.</b> SD-180330-002			
				<b>APPROVED BY</b> DMCGOWAN	<b>DATE</b> 2012/02/07	<b>MATERIAL NO.</b> SEE CHART		<b>SHEET NO.</b> 3 OF 3	

**molex**

THIS DRAWING CONTAINS INFORMATION THAT IS PROPRIETARY TO MOLEX INCORPORATED AND SHOULD NOT BE USED WITHOUT WRITTEN PERMISSION