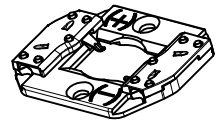
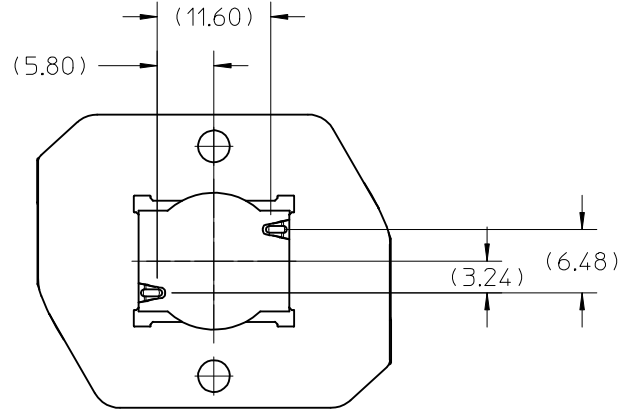
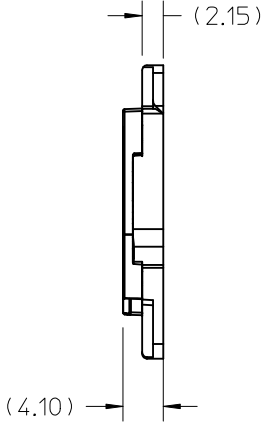
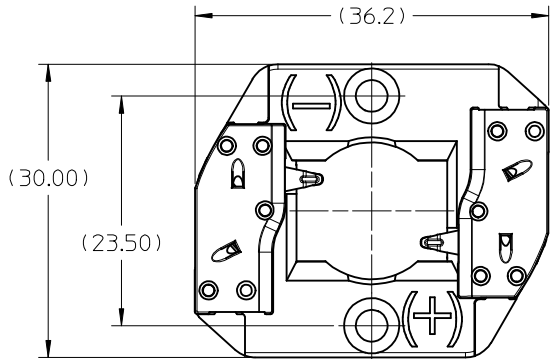


10	9	8	7	6	5	4	3	2	1
PART NUMBER	DESCRIPTION			MATERIAL	COLOR	AGENCY APPROVAL			
180390-0002	COB LED HOLDER ASSEMBLY 15.0MM X 12.0MM - NYLON			POLYAMIDE, GLASS FILLED	NATURAL	UL 496 FILE# E345583			
180390-0102	COB LED HOLDER ASSEMBLY 15.0MM X 12.0MM - PBT			POLYESTER, GLASS FILLED	WHITE	-			



ISO TOP VIEW  
SCALE 1:1

- NOTES:
- MATERIALS: HOUSING AND CAP: SEE CHART  
TERMINAL: COPPER ALLOY
  - FINISHES: COB LED CONTACT BEAM: GOLD OVER NICKEL, WIRE TRAP: TIN OVER NICKEL
  - PRODUCT SPECIFICATION: PS-180390-002
  - PACKGING SPECIFICATION PK-180396-101
  - APPLICATION SPECIFICATION: AS-180328-001
  - APPLICABLE WIRE GAUGE - 18, 20, AND 22 AWG
    - TINNED SOLID WIRE IS PREFERRED
    - FOR STRANDED WIRE, PRE-TINNED IS RECOMMENDED
    - 10 mm +2/-0 mm STRIP LENGTH IS RECOMMENDED
  - MOUNT HOLDER USING M3 OR 4-40 SCREWS (2), SEE SHEET 3 FOR TORQUE SPECIFICATION.
  - THIS PRODUCT IS ELV AND ROHS COMPLIANT
  - ALL DIMENSIONS IN PARENTHESIS (XX.XX) ARE FOR REFERENCE ONLY

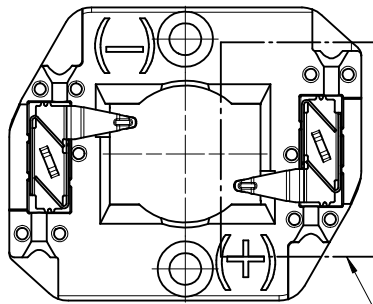
<b>ENTER DESCRIPTION</b> EC NO: SSL2015-0046 DRAWN/MCOLE 2014/11/03 CHKD: DRW/MCOLE APPR: GMEYER 2015/02/12 REV: D1	QUALITY SYMBOLS	GENERAL TOLERANCES (UNLESS SPECIFIED)	DIMENSION STYLE	SCALE	DESIGN UNITS	THIRD ANGLE PROJECTION
	▽/0	mm INCH	MM ONLY	2:1	METRIC	☉
	▽/0	4 PLACES ± --- ± ---	DRAWN BY DATE	TITLE	MOLEX INCORPORATED	SHEET NO.
	▽/0	3 PLACES ± --- ± ---	MDEVITO 2012/02/03			
▽/0	2 PLACES ± 0.13 ± ---	CHECKED BY DATE	APPROVED BY DATE	DOCUMENT NO.	THIS DRAWING CONTAINS INFORMATION THAT IS PROPRIETARY TO MOLEX INCORPORATED AND SHOULD NOT BE USED WITHOUT WRITTEN PERMISSION	
	1 PLACE ± 0.25 ± ---	ANGULAR ± 1/2°	DMCGOWAN 2012/02/07	SD-180390-002		
		DRAFT WHERE APPLICABLE MUST REMAIN WITHIN DIMENSIONS	MATERIAL NO.	SEE CHART		
			SIZE B			

10 9 8 7 6 5 4 3 2 1

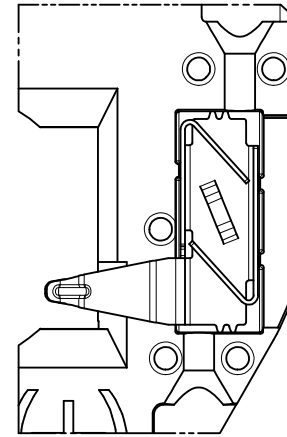
DETAIL VIEW OF TWO-WAY WIRE TRAP

WIRE TRAPS CAN ACCOMMODATE  
18, 20, AND 22 GAUGE WIRE

NOTE: WIRE TRAP CAPS ARE REMOVED FOR CLARITY



SEE DETAIL A

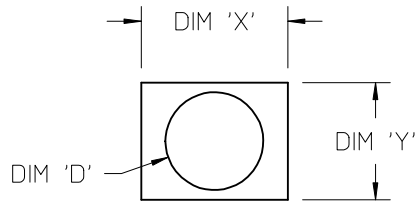


DETAIL A  
SCALE 4:1

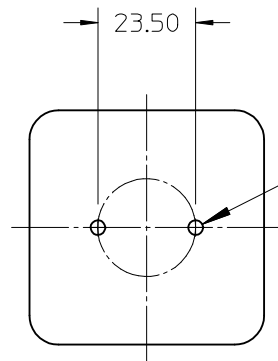
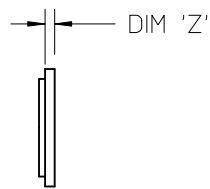
<b>ENTER DESCRIPTION</b> EC NO: SSL2015-0046 2014/11/03 DRW: MCOLE CHKD: APPR: GMEYER 2015/02/12	<b>QUALITY SYMBOLS</b> F/0 F/0 F/0	<b>GENERAL TOLERANCES (UNLESS SPECIFIED)</b>		<b>DIMENSION STYLE</b> MM ONLY		SCALE 2:1	DESIGN UNITS METRIC	THIRD ANGLE PROJECTION			
		4 PLACES ± --- ± ---	mm INCH	DRAWN BY MDEVITO	DATE 2012/02/03	TITLE COB LED HOLDER 15.0MM X 12.0MM RECTANGLE					
		3 PLACES ± --- ± ---	2 PLACES ± 0.13 ± ---	CHECKED BY	DATE	MOLEX INCORPORATED					
		1 PLACE ± 0.25 ± ---	ANGULAR ± 1/2°	APPROVED BY DMCGOWAN	DATE 2012/02/07	MATERIAL NO.	SEE CHART	DOCUMENT NO. SD-180390-002	SHEET NO. 2 OF 3		
<b>D1</b>	<b>REV</b>	DRAFT WHERE APPLICABLE MUST REMAIN WITHIN DIMENSIONS		THIS DRAWING CONTAINS INFORMATION THAT IS PROPRIETARY TO MOLEX INCORPORATED AND SHOULD NOT BE USED WITHOUT WRITTEN PERMISSION							

9 8 7 6 5 4 3 2 1

COB MFG	TYPE	DIM 'X'	DIM 'Y'	DIM 'Z'	DIM 'D'
SHARP	MINI ZENIGATA	15.0	12.0	1.0	-
NICHIA	NTCWS024B, NTCLS024B	15.0	12.0	1.0	-
LUMILEDS	LUXEON L2C1 120206	15.0	12.0	1.0	-



COB LED  
SCALE 2:1



M3 OR 4-40 TAPPED HOLES (2)  
TORQUE: CERAMIC 0.20 N-M MIN TO 0.40 N-M MAX  
ALUMINUM 0.40 N-M MIN TO 0.80 N-M MAX

RECOMMENDED MOUNTING DIMENSIONS (NTS)

<b>ENTER DESCRIPTION</b> EC NO: SSL2015-0046 2014/11/03 DRW: MCOLE CHKD: APPR: GMEYER 2015/02/12	<b>QUALITY SYMBOLS</b> $\nabla F/0$ $\nabla F/0$ $\nabla F/0$	<b>GENERAL TOLERANCES (UNLESS SPECIFIED)</b> <table border="1"> <thead> <tr> <th></th> <th>mm</th> <th>INCH</th> </tr> </thead> <tbody> <tr> <td>4 PLACES</td> <td>± ---</td> <td>± ---</td> </tr> <tr> <td>3 PLACES</td> <td>± ---</td> <td>± ---</td> </tr> <tr> <td>2 PLACES</td> <td>± 0.13</td> <td>± ---</td> </tr> <tr> <td>1 PLACE</td> <td>± 0.25</td> <td>± ---</td> </tr> <tr> <td>0 PLACE</td> <td>± ---</td> <td>± ---</td> </tr> </tbody> </table>		mm	INCH	4 PLACES	± ---	± ---	3 PLACES	± ---	± ---	2 PLACES	± 0.13	± ---	1 PLACE	± 0.25	± ---	0 PLACE	± ---	± ---	<b>DIMENSION STYLE</b> <b>MM ONLY</b>	<b>SCALE</b> <b>2:1</b>	<b>DESIGN UNITS</b> <b>METRIC</b>	<b>THIRD ANGLE PROJECTION</b>
		mm	INCH																					
	4 PLACES	± ---	± ---																					
	3 PLACES	± ---	± ---																					
2 PLACES	± 0.13	± ---																						
1 PLACE	± 0.25	± ---																						
0 PLACE	± ---	± ---																						
		<b>ANGULAR</b> ±1/2° <b>DRAFT WHERE APPLICABLE</b> <b>MUST REMAIN WITHIN DIMENSIONS</b>	<b>DRAWN BY</b> MDEVITO <b>DATE</b> 2012/02/03 <b>CHECKED BY</b> <b>DATE</b>	<b>TITLE</b> <b>COB LED HOLDER</b> <b>15.0MM X 12.0MM</b> <b>RECTANGLE</b>																				
			<b>APPROVED BY</b> DMCGOWAN <b>DATE</b> 2012/02/07	<b>DOCUMENT NO.</b> <b>SD-180390-002</b>																				
<b>REV</b> <b>D1</b>			<b>MATERIAL NO.</b> <b>SEE CHART</b>	<b>SIZE</b> <b>B</b>	<b>SHEET NO.</b> <b>3 OF 3</b>	<b>THIS DRAWING CONTAINS INFORMATION THAT IS PROPRIETARY TO MOLEX INCORPORATED AND SHOULD NOT BE USED WITHOUT WRITTEN PERMISSION</b>																		