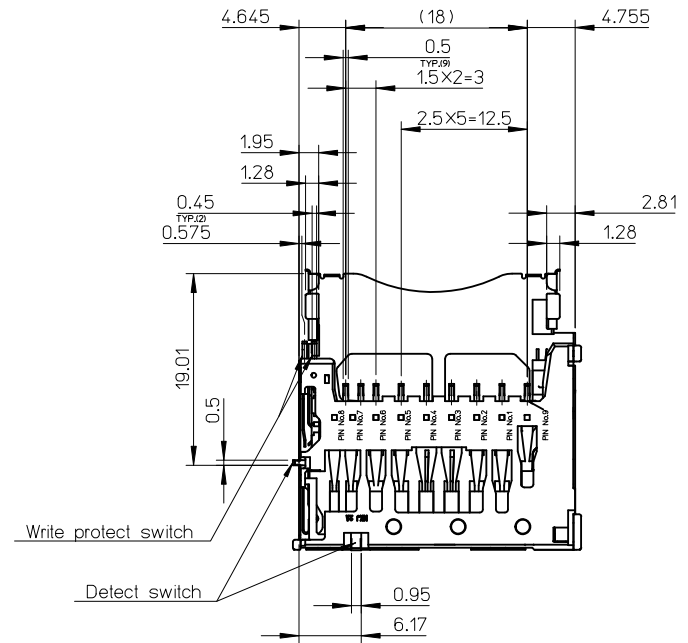
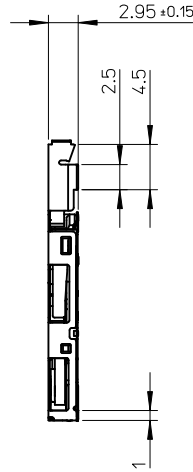


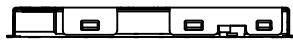
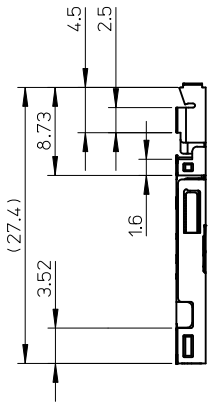
CARD CENTER

CONNECTOR CENTER



Write protect switch

Detect switch

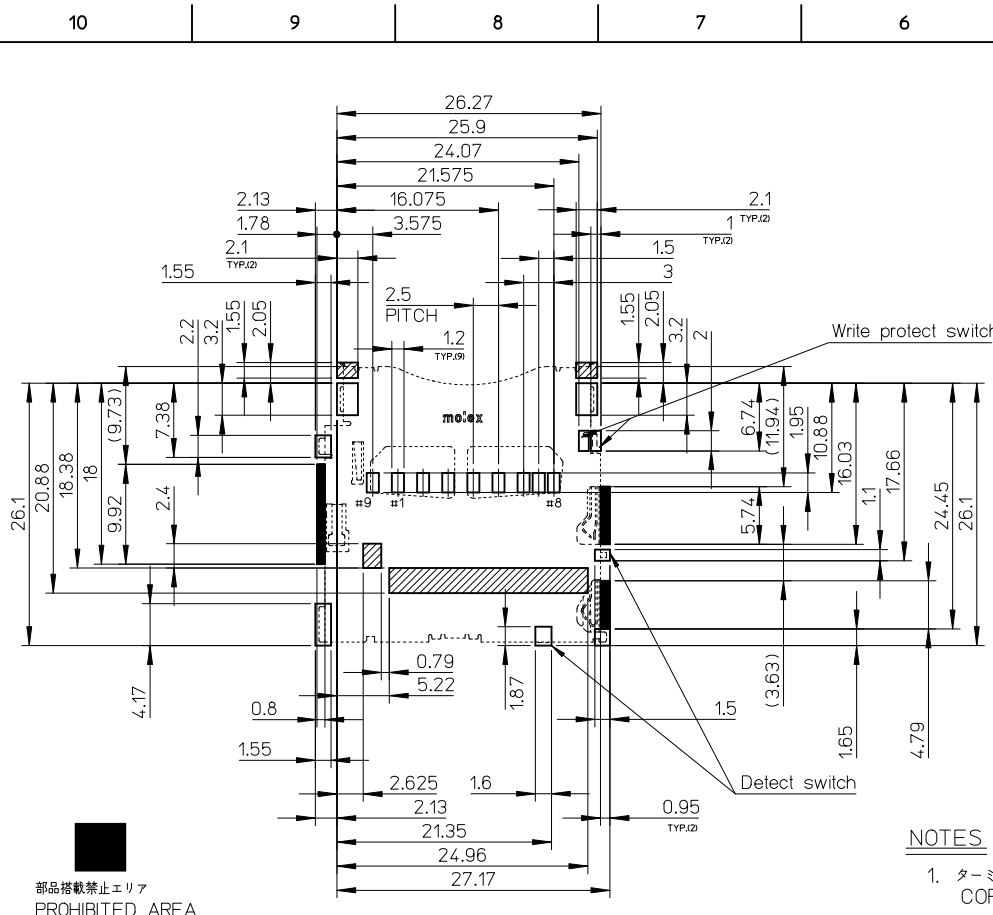


503500-0991	9
EMBOSSED TAPE	極数
ORDER No. オーダー番号	CIRCUITS
CONNECTOR SERIES NO. 503500-***11	

REVISED EC NO: J2010-1552 DRWN: YNAITO 2010/02/01 CHKD: MTOMITA 2010/02/01 APPR: NUKITA 2010/02/01	GENERAL TOLERANCES (UNLESS SPECIFIED)		DIMENSION STYLE	SCALE	DESIGN UNITS	THIRD ANGLE PROJECTION	
	10 UNDER ± 0.2		MM ONLY	2:1	METRIC		
	10 OVER 30 UNDER ± 0.25		DRAWN BY	DATE	TITLE		
	30 OVER ± 0.3		YNAITO	2009/09/11	SD CARD CONN.PUSH/PUSH NORMAL ASSY		
B DESCRIPTION DRAFT WHERE APPLICABLE MUST REMAIN WITHIN DIMENSIONS	ANGULAR ± 1 °		CHECKED BY	DATE	MOLEX INCORPORATED		
			MTOMITA	2009/09/11	DOCUMENT NO.		
			APPROVED BY	DATE	SD-503500-001		
			NUKITA	2009/09/11	SHEET NO.		
		MATERIAL NO.	SEE CHART				
		SIZE	THIS DRAWING CONTAINS INFORMATION THAT IS PROPRIETARY TO MOLEX INCORPORATED AND SHOULD NOT BE USED WITHOUT WRITTEN PERMISSION				

番号 No.	名称 NAME	材料 MATERIAL
①	ハウジング HOUSING	耐熱樹脂 HEAT RESISTANCE POLYMER
②	ターミナル TERMINAL	銅合金、接点部：金めっき 半田付部：錫めっき 下地：ニッケルめっき COPPER ALLOY, CONTACT AREA:GOLD TAIL AREA:TIN UNDER PLATING:NICKEL
③	メタルシェル METAL SHELL	銅合金 COPPER ALLOY
④	カムスライダー CAM SLIDER	耐熱樹脂 HEAT RESISTANCE POLYMER
⑤	ディテクトスイッチ DETECT SWITCH	銅合金、接点部：金めっき 半田付部：金めっき 下地：ニッケルめっき COPPER ALLOY, CONTACT AREA:GOLD TAIL AREA:GOLD UNDER PLATING:NICKEL
⑥	ライトプロテクトスイッチ WRITE PROTECT SWITCH	銅合金、接点部：金めっき 半田付部：錫めっき 下地：ニッケルめっき COPPER ALLOY, CONTACT AREA:GOLD TAIL AREA:TIN UNDER PLATING:NICKEL
⑦	スプリング SPRING	ピアノ線 SWP
⑧	カムピン CAM PIN	ステンレス鋼 STAINLESS STEEL

CONFIDENTIAL



部品搭載禁止エリア  
PROHIBITED AREA

パターン禁止エリア  
PATTERN PROHIBITION AREA  
注：コネクタ投影面上の半田付けは禁止

RECOMMENDED  
PCB PATTERN LAYOUT  
(GENERAL TOLERANCE : ±0.05)

NOTES

- ターミナル及びネイルの平坦度は0.1MAX.とする。  
COPLANARITY OF TERMINAL AND NAIL IS TO BE 0.1MAX.
- ロット印字は任意とする  
LOT NUMBERING IS TO BE OPTIONAL.
- 肉抜き位置は任意とする。  
CAVITY IS TO BE OPTIONAL.
- 本製品の側面にはカード挿抜時に一部金属が突出する箇所があります。該当箇所は部品搭載禁止エリアとなりますので、ご注意ください。  
There are the places that the part of metal stands out at the side of the connector when the card insertion .The area is prohibited to place the other parts.

6. ELV及びRoHS適合品  
ELV AND RoHS COMPLIANT.

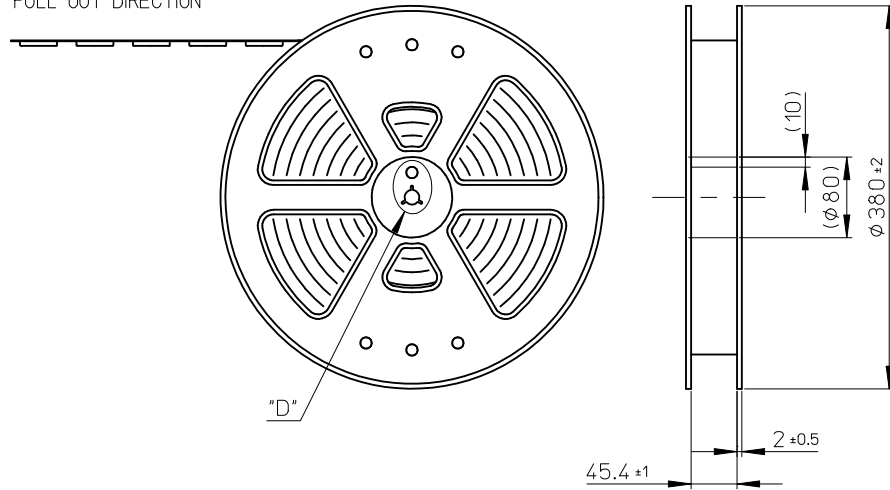
ロットNo. : 9 07 0 7 0  
西暦(1桁目) MONTH 7 : 7月  
THE YEAR OF GRACE 10 : 10月  
9 : 2009年 DAY 07 : 07日  
ラインNo. LINE No.

2. 各スイッチのオープン/クローズ  
OPENING/CLOSE OF EACH SWITCH

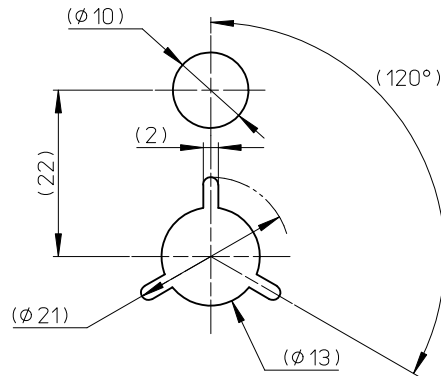
	プロテクトターミナル PROTECT TERMINAL		ディテクトターミナル DETECT TERMINAL
	カード書き込み 禁止状態 WRITE PROTECT POSITION	カード書き込み 可能状態 WRITE ENABLE POSITION	
カード未装着状態 CARD UNINSERTION	オープン OPEN	オープン OPEN	オープン OPEN
カード装着 AFTER CARD INSERTION	オープン OPEN	クローズ CLOSE	クローズ CLOSE

SEE SHEET 1 OF 2 EC NO. J2010-1552 DRWN:YNAITO 2010/02/01 CHKD:MTOMITA 2010/02/01 APPR:NUKITA 2010/02/01	GENERAL TOLERANCES (UNLESS SPECIFIED)		DIMENSION STYLE MM ONLY		SCALE 2:1	DESIGN UNITS METRIC	THIRD ANGLE PROJECTION
	10 UNDER	±0.2	DRAWN BY YNAITO	DATE 2009/09/11	TITLE SD CARD CONN.PUSH/PUSH NORMAL ASSY		
	10 OVER 30 UNDER	±0.25	CHECKED BY MTOMITA	DATE 2009/09/11	MOLEX INCORPORATED		
	30 OVER	±0.3	APPROVED BY NUKITA	DATE 2009/09/11	DOCUMENT NO. SD-503500-001	SHEET NO. 2 OF 2	
	ANGULAR ±1°	DRAFT WHERE APPLICABLE MUST REMAIN WITHIN DIMENSIONS		THIS DRAWING CONTAINS INFORMATION THAT IS PROPRIETARY TO MOLEX INCORPORATED AND SHOULD NOT BE USED WITHOUT WRITTEN PERMISSION			

引き出し方向  
PULL OUT DIRECTION



"D"



DETAIL "D"

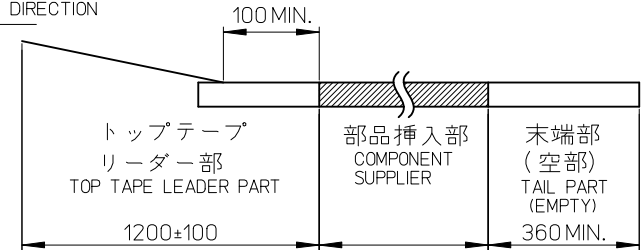
NOTES

1. 製品詳細寸法については、SD 図面を参照下さい。  
RE DETAILED DIMENSION, SEE SALES DRAWING.

2. 梱包数量 : 500 個 / リール  
NUMBER OF CONNECTORS : 500 PCS/REEL.

3. リードテープ長さ LEAD TAPE LENGTH.  
トップテープ接着部  
TOP TAPE BONDED PART.  
(空エンボス)  
(EMPTY)

引き出し方向  
PULL OUT DIRECTION



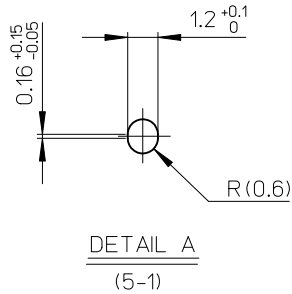
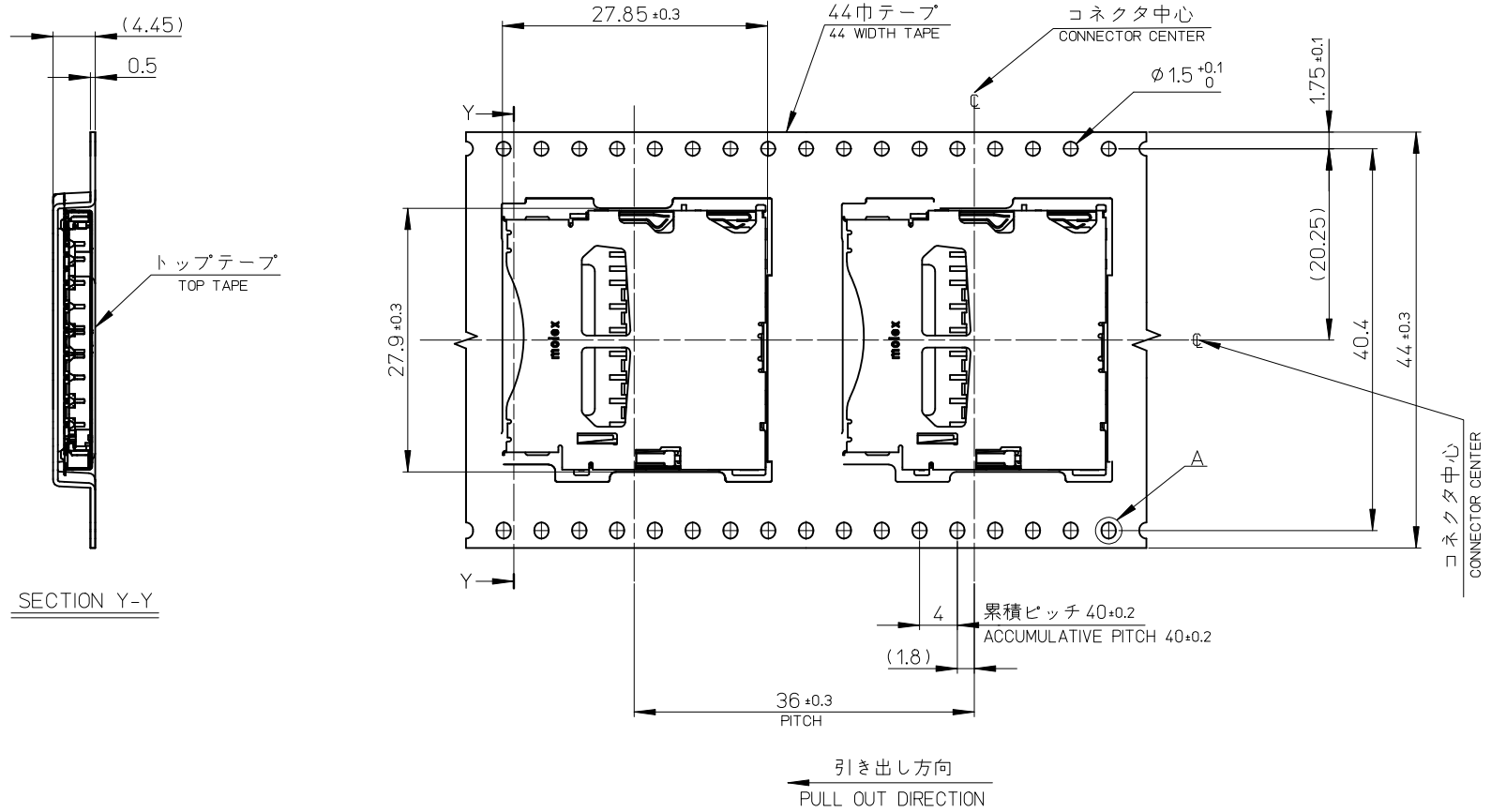
4. 材料 MATERIAL

キャリアテープ (CARRIER TAPE) : ポリスチレン (POLYSTYRENE)  
トップテープ (TOP TAPE) : PET, PE, PEF  
リール (REEL) : ポリスチレン (PS) <リサイクル材含む>  
POLYSTYRENE (PS) <RECYCLE MATERIAL CONTAINED>

5. ELV 及び RoHS 適合品。  
ELV AND RoHS COMPLIANT

503500-0991	9
EMBOSSSED TAPE	極数
ORDER No. オーダー番号	CIRCUITS
CONNECTOR SERIES NO. 503500-***11	

REVISED EC NO: J2010-1616 DRWN:YNAITO 2010/02/05 CHKD:MTOMITA 2010/02/08 APPR:NUKITA 2010/02/08	DESCRIPTION	GENERAL TOLERANCES (UNLESS SPECIFIED)		DIMENSION STYLE MM ONLY	SCALE 4:1	DESIGN UNITS METRIC	THIRD ANGLE PROJECTION	
		10 UNDER	± 0.2	DRAWN BY YNAITO	DATE 09/12/25	TITLE SD CARD CONN. NORMAL PUSH/PUSH EMBOSSSED TAPE PACKAGE		
		10 OVER 30 UNDER	± 0.25	CHECKED BY MTOMITA	DATE 09/12/25	MOLEX INCORPORATED		
		30 OVER	± 0.3	APPROVED BY NUKITA	DATE 09/12/25	MATERIAL NO.	DOCUMENT NO.	SHEET NO.
B	REV	ANGULAR ± 1 °		SEE CHART		SD-503500-002		
		DRAFT WHERE APPLICABLE MUST REMAIN WITHIN DIMENSIONS		THIS DRAWING CONTAINS INFORMATION THAT IS PROPRIETARY TO MOLEX INCORPORATED AND SHOULD NOT BE USED WITHOUT WRITTEN PERMISSION				



SEE SHEET 1 OF 2 EC NO.: J2010-1616 DRWN: YNAITO 2010/02/05 CHKD: MTOMITA 2010/02/08 APPR: NUKITA 2010/02/08	GENERAL TOLERANCES (UNLESS SPECIFIED)		DIMENSION STYLE MM ONLY		SCALE 4:1	DESIGN UNITS METRIC	THIRD ANGLE PROJECTION
	10 UNDER	± 0.2	DRAWN BY	DATE	TITLE		
	10 OVER 30 UNDER	± 0.25	CHECKED BY	DATE	SD CARD CONN. NORMAL PUSH/PUSH EMBOSSED TAPE PACKAGE MOLEX INCORPORATED		
	30 OVER	± 0.3	APPROVED BY	DATE			
ANGULAR ± 1 ° DRAFT WHERE APPLICABLE MUST REMAIN WITHIN DIMENSIONS		MATERIAL NO. SEE SHEET 1 OF 2		DOCUMENT NO. SD-503500-002	SHEET NO. 2 OF 2		
		THIS DRAWING CONTAINS INFORMATION THAT IS PROPRIETARY TO MOLEX INCORPORATED AND SHOULD NOT BE USED WITHOUT WRITTEN PERMISSION					