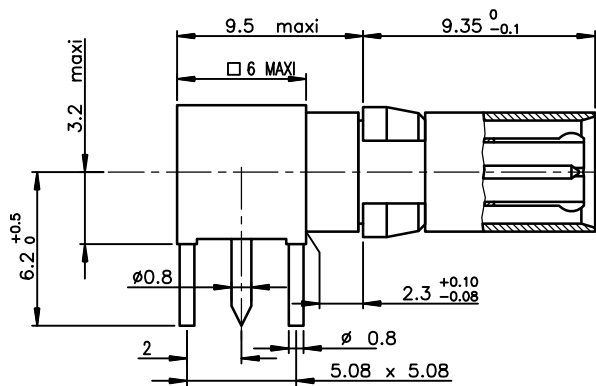
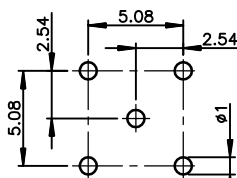


PART NUMBER
8609-M21-41-CXLF

PLATING	THICKNESS (mating area)
C1	0.8μ AU NOT AVAILABLE
C2	special coat equivalent 0.8μ AU
C4	1.5μ AU



PCB DRILLING



NOTES

-TOOLING :
contact extractor ref. 8609-78

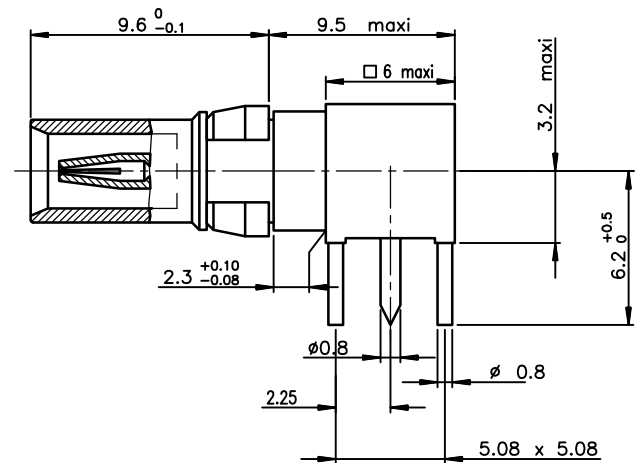
TECHNICAL CHARACTERISTICS:

- INSERTION / WITHDRAWAL FORCE : ≤ 10 N
- CONTACT RESISTANCE :
center contact ≤ 10 mΩ
outer contact ≤ 3 mΩ
- INSULATION RESISTANCE : 10⁶ MΩ
- IMPEDANCE : 50 Ω
- PEAK VOLTAGE : 750 Veff
- OPERATING VOLTAGE : 250 Veff
- WORKING FREQUENCY-MAX : 30 GHz
- OPTIMUM : 0-10 GHz
- REFLECTION COEFFICIENT : Max. 0.05 up to 1 GHz ; Max. 0.1 up to 10 GHz

OTHER CHARACTERISTICS: SEE INSERTS ACCORDING TO DIN 41626

PART NUMBER
8609-F21-41-CXLF

PLATING	THICKNESS
C1	0.8μ AU (mating area)
C4	1.5μ AU (mating area)



NOTE:RoHS INFORMATIONS

- The "LF" product meets European union Directives and other country regulations as described in GS-22-008.
- The product is not intended to be exposed to a manufacturing solder process.
- Packaging spec: see GS-14-920.

European Views

www.fciconnect.com		surface ISO 1302 ✓	tolerance std ISO 406 ISO 1101	projection mm
TOLERANCES UNLESS OTHERWISE SPECIFIED				
Dr	LEGALLIC	2006/03/11	0.X	± 0.1
Eng	LEGALLIC	2006/03/11	0.XX	± 0.1
Chr	LEGARE	2006/03/11	0.XXX	± 0.1
Appr	LEGARE	2006/03/11	Product family DIN 8609	
title MALE AND FEMELLE COAX CTS		size A3		Scale 5
RIGHT ANGLE PCB MOUNT		ECN F11-0319		Spec ref -
catalog no -		dwg no C-8609-1211		Rev. E
		CUSTOMER		sheet 1 of 1

rev	ecn no	dr	date
A	LS06-0022	LEG	2006/03/11
B	LS06-0094	LEG	2006/06/02
C	LS06-0097	LGO	2006/07/28
D	LS08-0160	LGO	2008/07/10
E	F11-0319	APA	2011/10/12
-	-	-	-