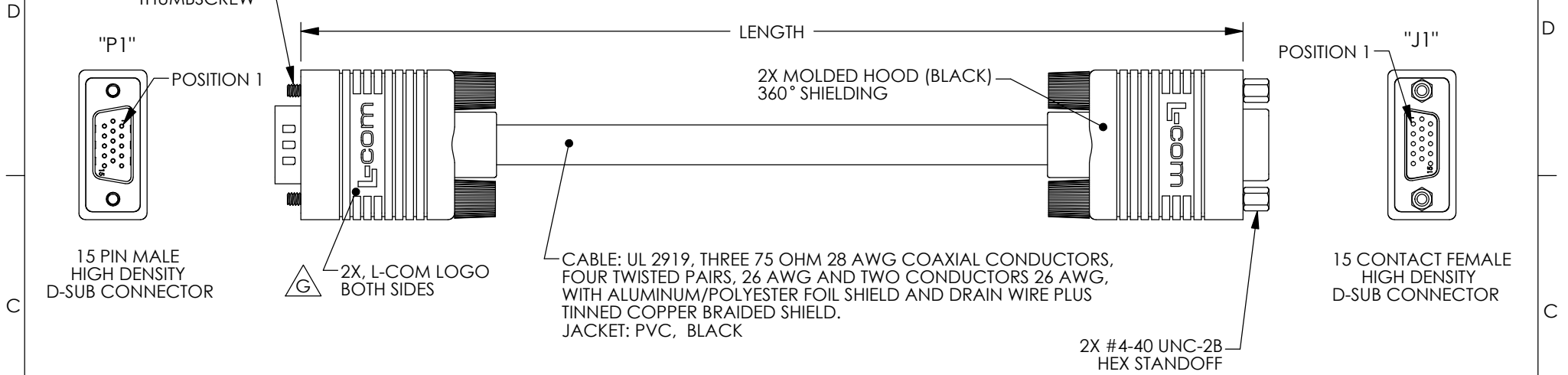


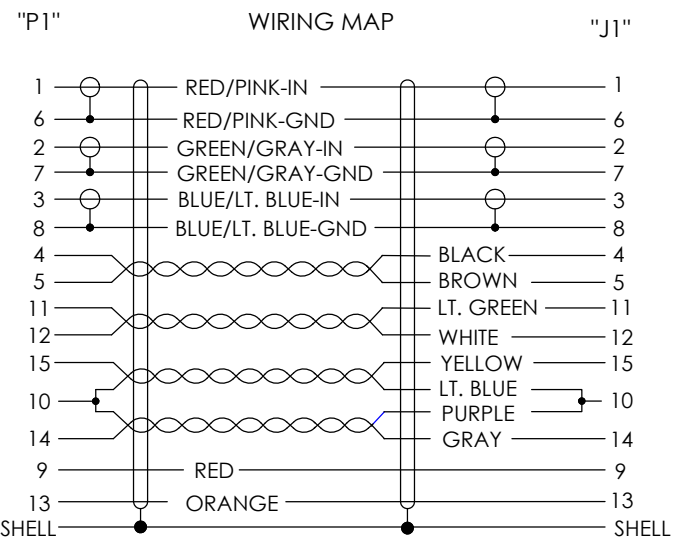
THE INFORMATION CONTAINED IN THIS DRAWING IS THE SOLE PROPERTY OF L-COM, INC. ANY REPRODUCTION IN PART OR WHOLE WITHOUT THE WRITTEN PERMISSION OF L-COM, INC. IS PROHIBITED.

RoHS Compliant ✓

REVISIONS			
REV	DESCRIPTION	DATE	APPROVED
E	ECN 3782: FIXED TWISTED PAIR IN WIRING MAP	1/06/09	D.CASTRO
F	ECN 4503: ADDED 3FT NEW LENGTH TO TABLE A	1/19/10	D.FRISIELLO
G	ECN 6779: REVISED L-COM LOGO, NEW FORMAT	4/9/13	D.FRISIELLO



CABLE: UL 2919, THREE 75 OHM 28 AWG COAXIAL CONDUCTORS, FOUR TWISTED PAIRS, 26 AWG AND TWO CONDUCTORS 26 AWG, WITH ALUMINUM/POLYESTER FOIL SHIELD AND DRAIN WIRE PLUS TINNED COPPER BRAIDED SHIELD. JACKET: PVC, BLACK



PART NUMBER	LENGTH	
	FEET	METERS
CTL3VGAMF-3B	3.0	.91
CTL3VGAMF-5B	5.0	1.52
CTL3VGAMF-10B	10.0	3.05
CTL3VGAMF-20B	20.0	6.09
CTL3VGAMF-25B	25.0	7.62
CTL3VGAMF-50B	50.0	15.24
CTL3VGAMF-75B	75.0	22.86
CTL3VGAMF-100B	100.0	30.48
CTL3VGAMF-150B	150.0	45.72
CTL3VGAMF-200B	200.0	60.96

NOTES:

CABLE ASSEMBLY SHALL BE TESTED FOR CONTINUITY.  
 CABLE ASSEMBLY SHALL BE INDIVIDUALLY PACKAGED IN ACCORDANCE WITH L-COM SPECIFICATION PS-0031.

UNLESS OTHERWISE SPECIFIED, DIMENSIONS ARE IN INCHES [mm]

OVERALL CABLE LENGTH TOLERANCE:  
 $\leq 12$  [305] = +1 [25] / -0  
 $>12$  [305]  $\leq 60$  [1524] = +2 [51] / -0  
 $>60$  [1524]  $\leq 120$  [3048] = +4 [102] / -0  
 $>120$  [3048]  $\leq 300$  [7620] = +6 [152] / -0  
 $>300$  [7620] = +3% / -0%

ALL OTHER DIMENSIONAL TOLERANCES:  
 .X = ±.2  
 .XX = ±.02  
 .XXX = ±.005

PROJECTION

APPROVALS	DATE
DRAWN BY D PARHAM	4/23/2001
CHECKED BY T CLARK	5/15/2001
APPROVED BY R CARRICK	5/21/2001

**L-com** Global Connectivity 45 BEECHWOOD DRIVE NORTH ANDOVER, MA 01845

CATEGORY: AUDIO/VIDEO

PRODUCT DESCRIPTION: CA SVGA HD15 M/HD15 F

SIZE: A FSCM NO. 43321 DWG. NO. CTL3VGAMF-B REV. G

SCALE: NONE CAD FILE: CTL3VGAMF-B.SLDDRW SHEET 1 OF 1

D  
C  
B  
A

D  
C  
B  
A

8 7 6 5 4 3 2 1

8 7 6 5 4 3 2 1