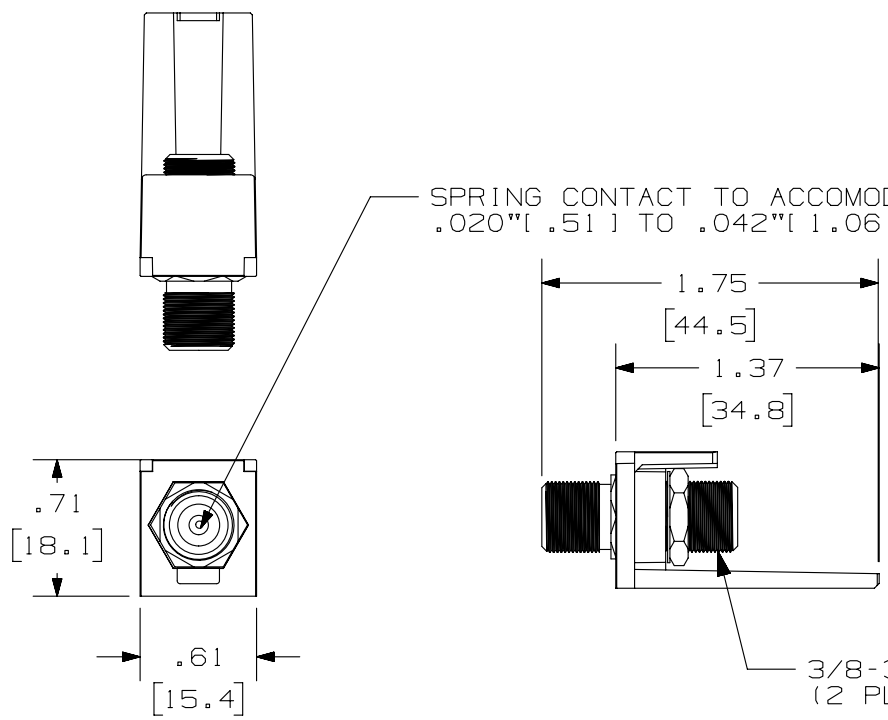
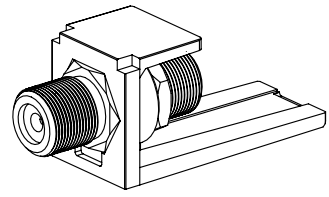


THIS COPY IS PROVIDED ON A RESTRICTED BASIS AND IS NOT TO BE USED IN ANY WAY DETRIMENTAL TO THE INTERESTS OF PANDUIT CORP.

PANDUIT P/N	WEIGHT
CMF**	.17 LB/10 PCS (78 g/10 PCS)



- NOTES:
1. SEE CURRENT CATALOG FOR ADDITIONAL PART SUFFIXES TO INDICATE COLOR AND OR PACKAGE QUANTITY.
 2. DIMENSIONS IN PARENTHESES ARE IN METRIC.



PART NUMBER		CMF**	
TITLE			
MINI-COM F-TYPE COUPLER MODULE			
CUSTOMER DRAWING			
ITEM REVISION NAME		M01557AA/00	
DATASET FILE NAME		M01557AA_DC/00B	
UNLESS OTHERWISE SPECIFIED, DIMENSIONAL TOLERANCES ARE: IN [mm]			MATERIAL: MODULE BASE: ABS COUPLER: NICKEL PLATED BRASS
.x ± .03 [.8]		.xxx ± .010 [.3]	
ANGLES ±		THIRD ANGLE PROJECTION	DRAWING NUMBER: 01557-04
DRAWN BY	DATE	CHK	SCALE
JSP	3-16-04	JCO	NONE
REV	DATE	BY	CHK
		APR	
DESCRIPTION		ECN	SIZE
			A

1	6/10/14	JSP	REFR	MMR	A. REVISED DRAWING TITLE BLOCK.	01557-04
R	3-16-06	JSP	JCO	JCO	RELEASED TO PRODUCTION	01557-04

D10100DA/14