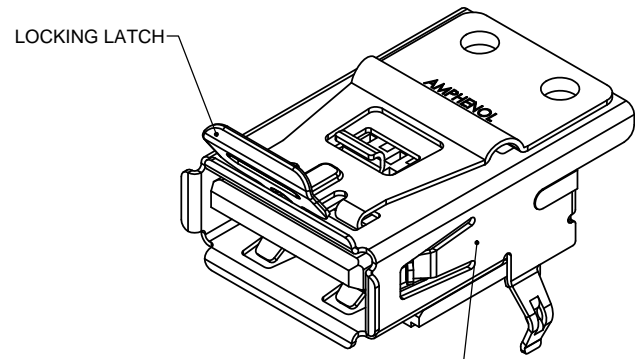
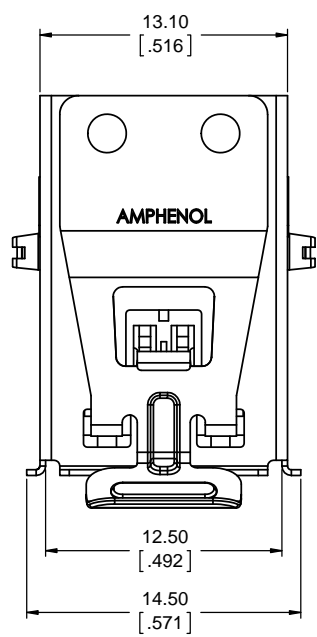
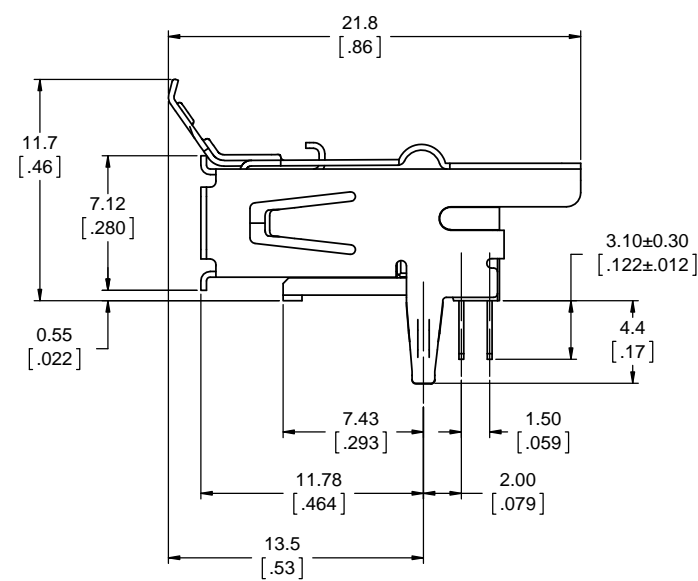
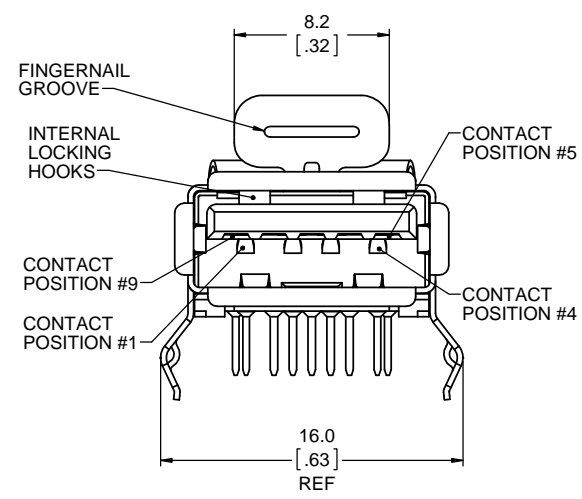


REVISIONS			
REV	DESCRIPTION, ECN, EAR NO.	DATE	APP'D
B	PRODUCT DRAWING (EAR 14331)	JAN21/15	K.L.



TYPE A USB 3.0 RECEPTACLE

USB 3.0 STANDARD-A CONNECTOR PIN ASSIGNMENTS		
PIN NUMBER	SIGNAL NAME	DESCRIPTION
1	VBUS	POWER
2	D-	USB 2.0 DIFFERENTIAL PAIR
3	D+	
4	GND	GROUND FOR POWER RETURN
5	StdA_SSRX-	SUPERSPEED RECEIVER DIFFERENTIAL PAIR
6	StdA_SSRX+	
7	GND_DRAIN	GROUND FOR SIGNAL RETURN
8	StdA_SSTX-	SUPERSPEED TRANSMITTER DIFFERENTIAL PAIR
9	StdA_SSTX+	
SHELL	Shield	CONNECTOR METAL SHELL



NOTES:

- MATERIAL
 - ALL MATERIALS ARE RoHS COMPLIANT PER EU DIRECTIVE 2011/65/EU AND AMENDMENTS
 - SHELL: NICKEL PLATED COPPER ALLOY
 - HOUSING: HIGH TEMPERATURE THERMOPLASTIC, UL94V-0, COLOUR - BLUE
 - CONTACTS: PHOSPHOR BRONZE WITH 0.76 μm [30 μ"] GOLD, OVER NICKEL ON MATING AREA, TIN PLATING ON SOLDER TAILS
 - LOCKING TAB: STAINLESS STEEL
- LATCH FEATURE PROVIDES A POSITIVE LOCK TO ANY STANDARD USB 2.0 OR 3.0 TYPE 'A' PLUG.
- LOCKING FORCE: MIN. 50 N.
- OPERATING TEMPERATURE: -40C TO +105C.
- CURRENT RATING: 1.8A FOR POSITIONS 1 AND 4, 0.25A FOR REMAINING POSITIONS.

AMPHENOL CANADA P/N: LUSB-3193-00

UNLESS SPECIFIED OTHERWISE	DRAWN	B.COPPING	MAY4/12
PRIMARY UNITS MILLIMETERS	CHECKED		
SECONDARY INCHES	M.E. APP'D		
REFERENCE IN PARENTHESES	Q.A. APP'D		
GENERAL TOLERANCES	DWG APPR.	K.LAMBIE	MAY4/12
1 DECIMAL PLACE ±0.40	ENG. REL. NO.	EAR 14026	
2 DECIMAL PLACES ±0.25	REF.		
3 DECIMAL PLACES	THIRD ANGLE PROJECTION		
ANGULAR DEGREES ±0.1°			

Amphenol Canada Corp.
 www.amphenolcanada.com
LUSB SERIES USB 3.0 TYPE A RECEPTACLE WITH POSITIVE LOCKING LATCH, RIGHT ANGLE PCB TAIL, RoHS COMPLIANT

DWG. NO. **P-LUSB-3193-00** REV **B**

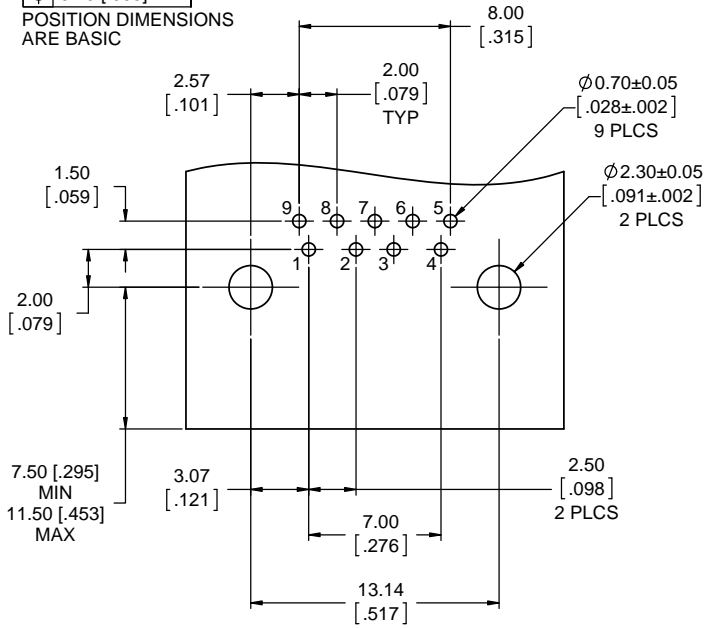
CODE ID NO. 03554 DWG SIZE: X SCALE: 5:1 SHEET 1 OF 2

REVISIONS			
REV	DESCRIPTION, ECN, EAR NO.	DATE	APP'D
B	PRODUCT DRAWING (EAR 14331)	JAN21/15	K.L

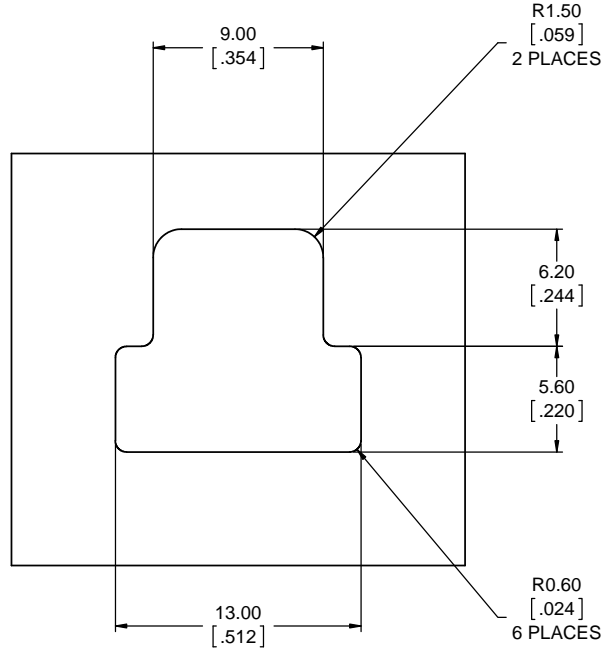
LOCATE HOLES

$\varnothing 0.13$ [.005] DIA

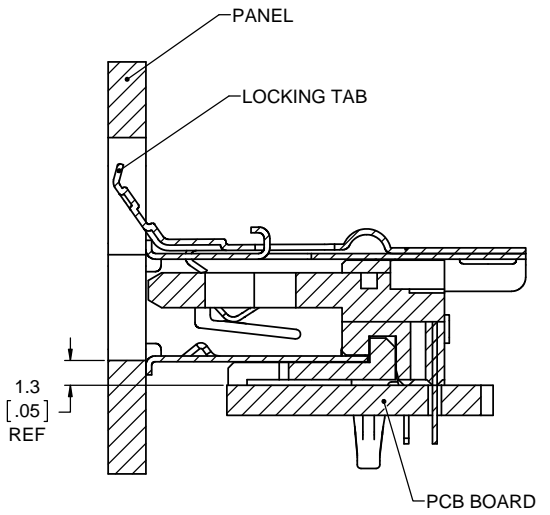
POSITION DIMENSIONS ARE BASIC



RECOMMENDED PCB LAYOUT
COMPONENT SIDE OF BOARD



RECOMMENDED PANEL CUT-OUT



SECTION THROUGH PANEL CUT-OUT



UNLESS SPECIFIED OTHERWISE	DRAWN	B.COPPING	MAY4/12
PRIMARY UNITS MILLIMETERS	CHECKED		
SECONDARY INCHES	M.E. APP'D		
REFERENCE IN PARENTHESES	Q.A. APP'D		
GENERAL TOLERANCES	DWG APPR.	K.LAMBIE	MAY4/12
1 DECIMAL PLACE ± 0.40	ENG. REL. NO.	EAR 14026	
2 DECIMAL PLACES ± 0.25	REF.		
3 DECIMAL PLACES	THIRD ANGLE PROJECTION		
ANGULAR DEGREES $\pm 0.1^\circ$	DO NOT SCALE DRAWING		

Amphenol Canada Corp.
www.amphenolcanada.com

LUSB SERIES USB 3.0 TYPE A RECEPTACLE WITH POSITIVE LOCKING LATCH, RIGHT ANGLE PCB TAIL, RoHS COMPLIANT

DWG. NO. **P-LUSB-3193-00** REV **B**

CODE ID NO. 03554 DWG SIZE: X SCALE: 5:1 SHEET 2 OF 2