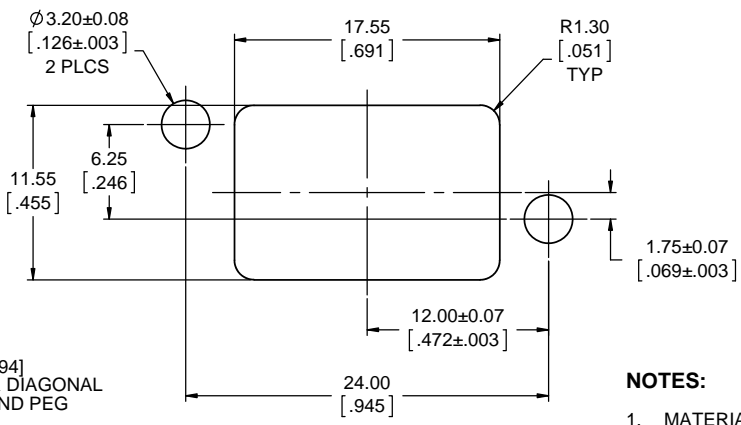
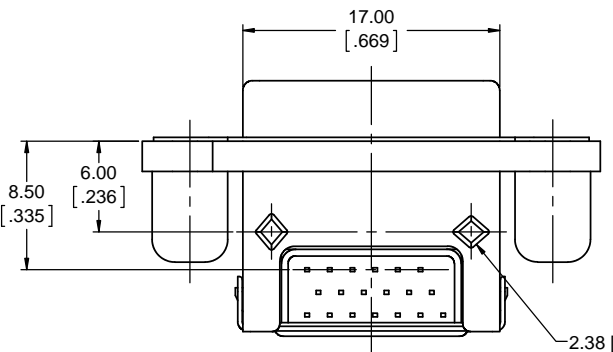
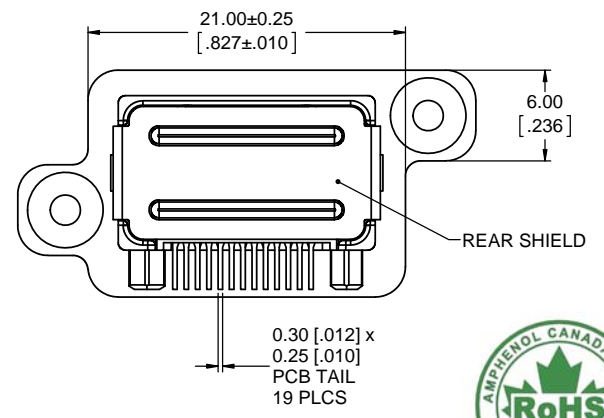
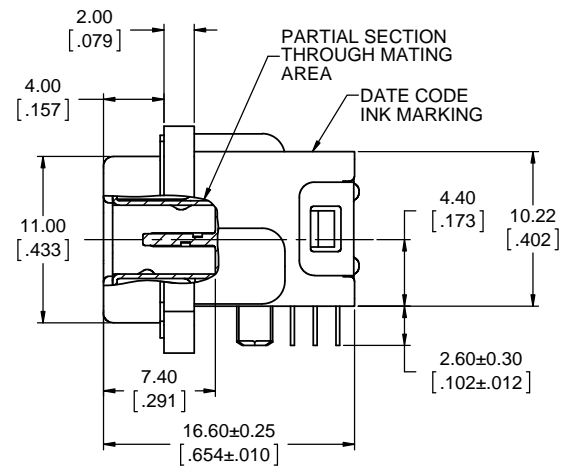
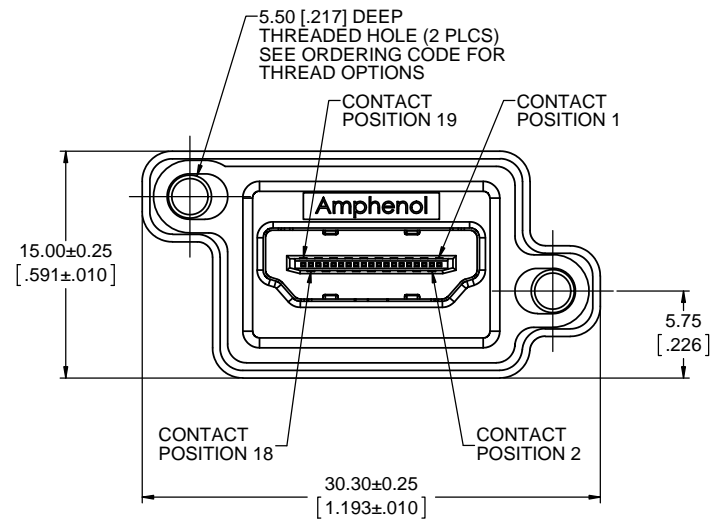


REVISIONS			
REV	DESCRIPTION, ECN, EAR NO.	DATE	APP'D
A	PROPOSAL DRAWING (EAR 14043)	APR2/12	K.L.
B	PROPOSAL DRAWING (EAR 14254)	JAN7/14	K.L.



ORDERING CODE: M H D R - A 1 1 1 - X 0

SERIES, RUGGED HDMI

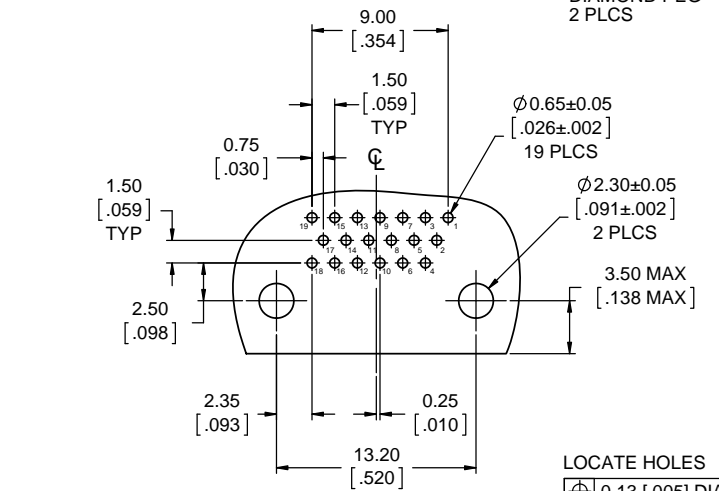
HDMI TYPE 'A' RECEPTACLE, SINGLE PORT, RIGHT ANGLE PCB TAIL

THREAD OPTION
3 = #4-40 UNC THREAD
M = M3 x 0.5 THREAD

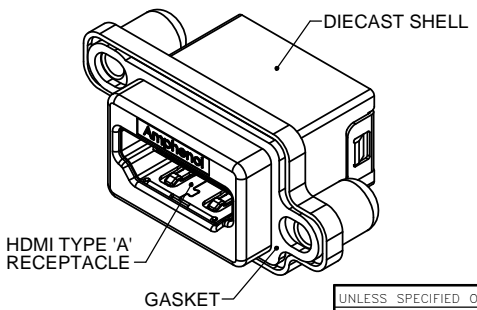
DUST COVER OPTION
0 = NO DUST COVER SUPPLIED

NOTES:

- MATERIAL:
 - ALL MATERIALS ARE RoHS COMPLIANT PER EU DIRECTIVE 2011/65/EU AND AMENDMENTS
 - OUTER SHELL - DIECAST ZINC ALLOY, MATTE TIN OVER NICKEL PLATED
 - CONTACTS - COPPER ALLOY, PLATED WITH 0.76µm (30µ") GOLD OVER 1.27µm (50µ") MINIMUM NICKEL ON THE MATING AREA WITH MATTE TIN OVER NICKEL ON THE TAILS.
 - HDMI HOUSING - ENGINEERING THERMOPLASTIC, HIGH TEMPERATURE RESISTANT, FLAMMABILITY RATING UL94V-0, BLACK
 - HDMI SHIELD & BACK COVER - STAINLESS STEEL, PASSIVATED
 - GASKET - CONDUCTIVE SILICONE RUBBER, BLACK
- ENVIRONMENTAL PERFORMANCE PER IEC 60529 CODE IP67 FOR SEAL BETWEEN MATING AREA AND PCB SIDE OF CONNECTOR. GASKET PROVIDES SEAL TO INSIDE FACE OF ENCLOSURE PANEL.
- CURRENT & VOLTAGE RATING: 0.5 AMPERES, 40 VAC RMS.
- CONTACT RESISTANCE: 10 MILLIOHMS MAXIMUM, INITIAL.
- OPERATING TEMPERATURE: -55°C TO +105°C.



LOCATE HOLES
 $\text{⌀} 0.13 [0.005] \text{ DIA}$
 POSITION DIMENSIONS ARE BASIC



UNLESS SPECIFIED OTHERWISE	DRAWN	B.COPPING	MAR28/12
PRIMARY UNITS MILLIMETERS	CHECKED		
SECONDARY UNITS INCHES	M.E. APP'D		
REFERENCE IN PARENTHESES	Q.A. APP'D		
GENERAL TOLERANCES	DWG APPR.	K.LAMBIE	APR2/12
1 DECIMAL PLACE	ENG. REL. NO.	EAR 14043	
2 DECIMAL PLACES ±0.15	REF.		
3 DECIMAL PLACES	THIRD ANGLE PROJECTION		
ANGULAR DEGREES	DO NOT SCALE DRAWING		

Amphenol Canada Corp.
 www.amphenolcanada.com

MHDR SERIES, RUGGED HDMI TYPE A RECEPTACLE, RIGHT ANGLE, PCB TAIL, THREAD OPTION, RoHS COMPLIANT

DWG. NO. **P-MHDR-A111-X0** REV **B**

CODE ID NO. 03554 DWG SIZE: X SCALE: 4:1 SHEET 1 OF 1