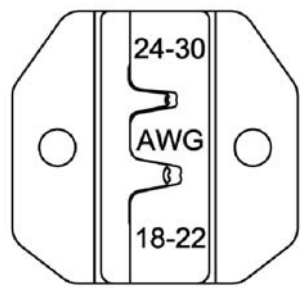
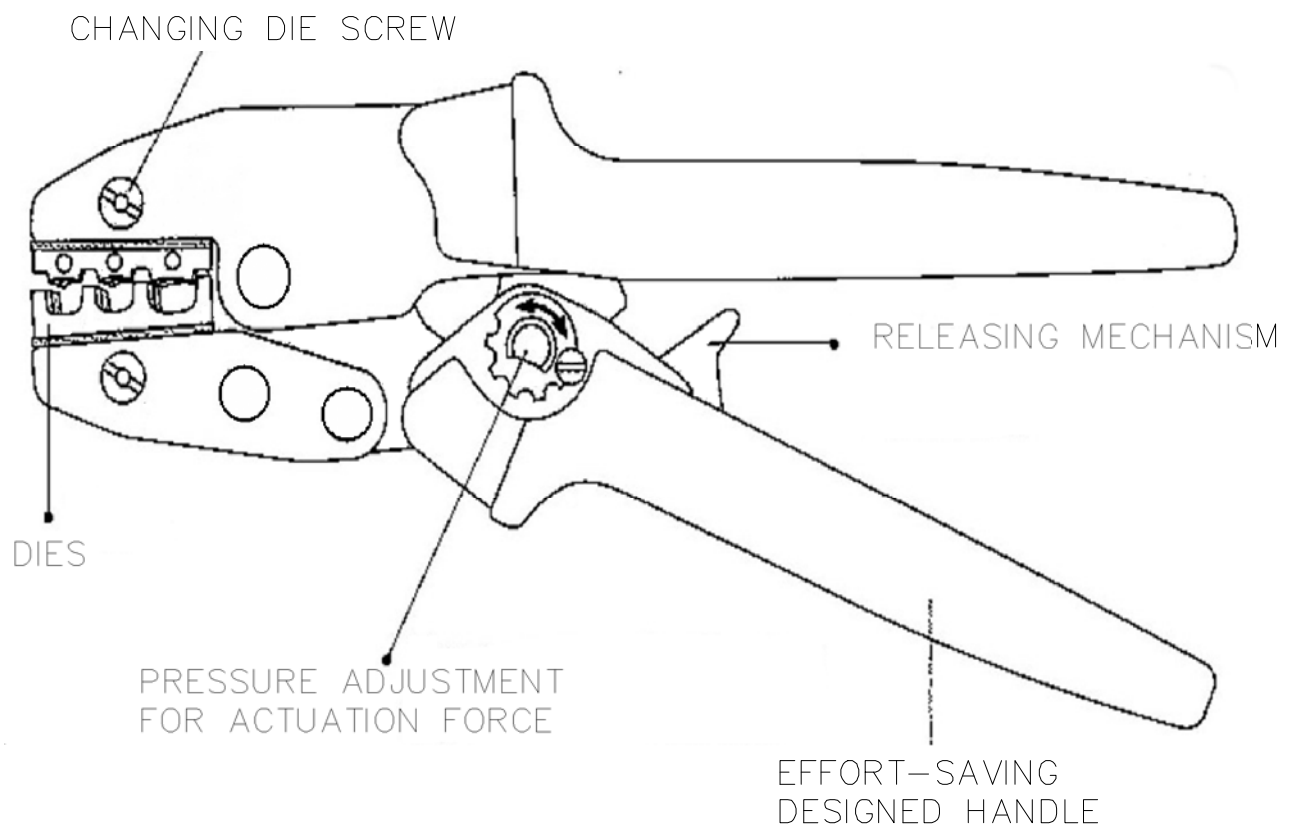


PRODUCT NUMBER  
10129483-001LF



DIE USED FOR  
AWG 18~30 WIRES



NOTE:  
1. LENGTH 225mm.  
2. CHANGABLE DIE FOR DIFFERENT APPLICATION.

mat'l. code		surface		tolerance		projection		product family	
ltr		ecn no		dr		date		title	
A		TAI		2014-04-23		angles		RATCHED HAND CRIMPING TOOL	
						X*±1*		scale	
				dr		KENNY TAI 2014-03-20		dwg no	
				enr		KENNY TAI 2014-03-20		sheet 1 of 1	
				chr		KENNY TAI 2014-03-20		size	
				appd		PM ZHENG 2014-04-23		A4	
sheet index		revision sheet		A		1		type	
								CUSTOMER Drawing	

