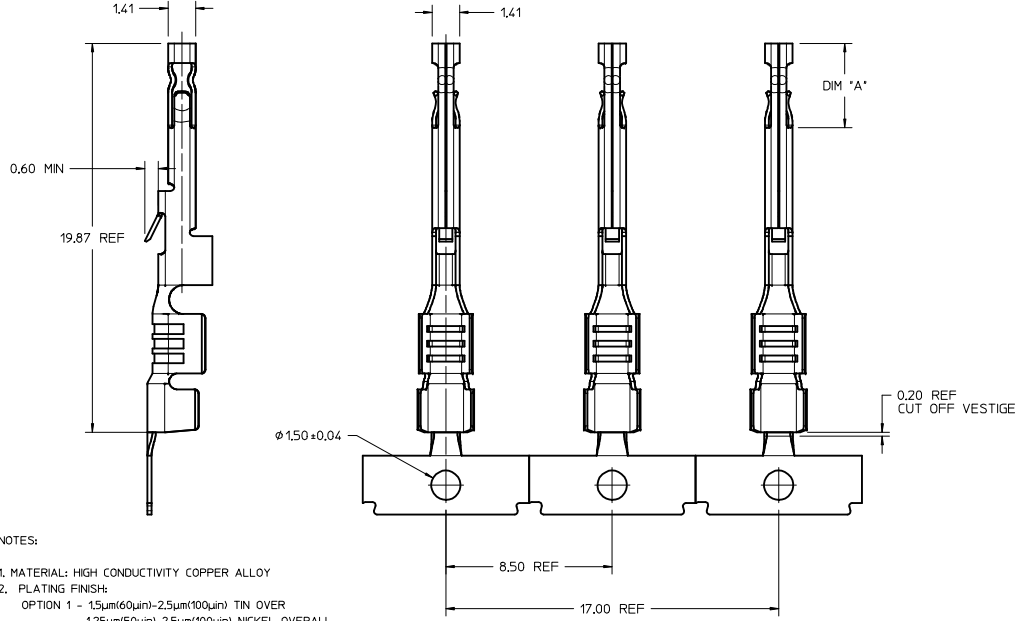
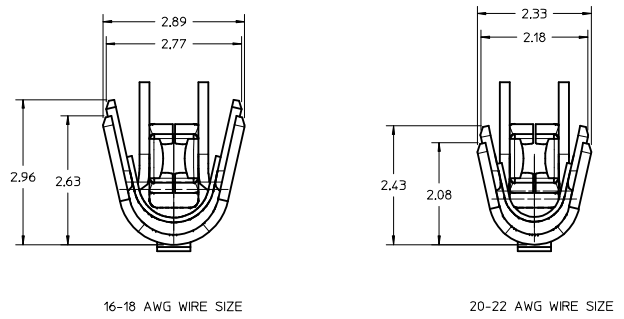
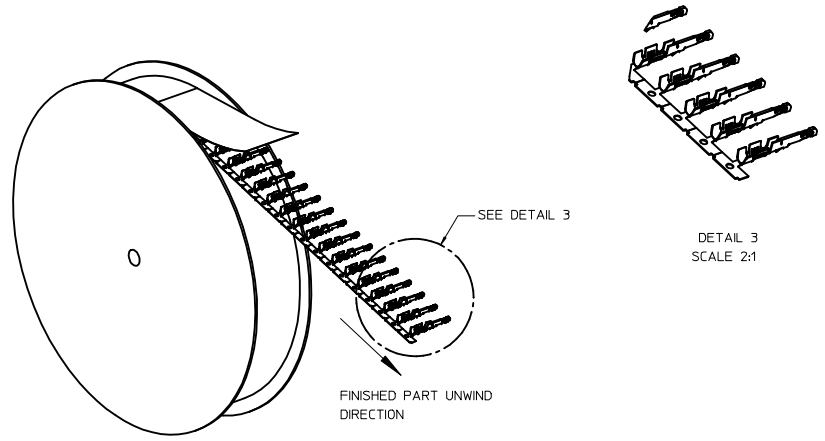
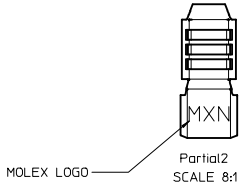


FINISHED RECEPTACLE TERMINALS			
PART NUMBER	CONTACT PLATING OPTION	WIRE SIZE [AWG]	DIM A
172253-3023	TIN/NICKEL	16-18	4.30
172253-3123	TIN/NICKEL	20-22	4.30
172253-3011	15AU/NICKEL	16-18	5.30
172253-3111	15AU/NICKEL	20-22	5.30
172253-3012	30AU/NICKEL	16-18	5.30
172253-3112	30AU/NICKEL	20-22	5.30



- NOTES:
- MATERIAL: HIGH CONDUCTIVITY COPPER ALLOY
 - PLATING FINISH:
 - OPTION 1 - 1.5µm(60µin)-2.5µm(100µin) TIN OVER
1.25µm(50µin)-2.5µm(100µin) NICKEL OVERALL
 - OPTION 2 - 0.35µm(15µin) GOLD CONTACT AREA,
1.5µm(60µin)-2.5µm(100µin) TIN CRIMP AREA OVER
1.25µm(50µin)-2.5µm(100µin) NICKEL OVERALL
 - OPTION 3 - 0.70µm(30µin) GOLD CONTACT AREA,
1.5µm(60µin)-2.5µm(100µin) TIN CRIMP AREA OVER
1.25µm(50µin)-2.5µm(100µin) NICKEL OVERALL
 - PRODUCT SPECIFICATION PS-172323-0001
 - PACKAGING SPECIFICATION PK-172253-5101
 - TERMINAL FOR USE WITH 172256, 172258, 172260 AND 172262 RECEPTACLE HOUSING
 - WHEN TERMINALS ARE INSTALLED IN THE HOUSING THE WIRES ARE TO BE DRESSED IN SUCH WAY TO ALLOW THE TERMINALS TO FLOAT FREELY IN THE POCKET
 - TERMINAL DESIGNED FOR SINGLE WIRE CRIMP
 - PART CONFORMS TO CALSS 'B' REQUIREMENTS OF COSMETIC SPECIFICATION PS-45499-002
 - APPLICATOR CRIMP TOOL TO USE:
439032800 - FOR 16-18AWG WIRE
439032900 - FOR 20-22AWG WIRE
 - APPLICATION SPECIFICATION AS-172323-0001
 - RECOMMENDED INSULATOR
16AWG WIRE - OD 2.00MM MAX.
18AWG WIRE - OD 1.70MM MAX.
20AWG WIRE - OD 1.50MM MAX.
22AWG WIRE - OD 1.30MM MAX.



X-RELEASE IEC NO. UCP2015-1559 DRAWN BY DROSCA 2014/10/23 CHKD: JCOMERCI APPR:RHODGE 2014/12/08 REV:	QUALITY SYMBOLS	GENERAL TOLERANCES (UNLESS SPECIFIED)	DIMENSION STYLE	SCALE	DESIGN UNITS	THIRD ANGLE PROJECTION
	▽=0	4 PLACES ± --- ± ---	MM ONLY	8:1	METRIC	☉
	▽=0	3 PLACES ± --- ± ---				
	▽=6	0 PLACE ± --- ± ---				
		ANGULAR ±1/2°	DRAWN BY DATE	TITLE		
		DRAFT WHERE APPLICABLE MUST REMAIN WITHIN DIMENSIONS	DROSCA 2014/03/07	ULTRA-FIT RECEPTACLE TERMINAL FOR 16-18 AWG, 20-22AWG		
			CHECKED BY DATE	molex		
			JCOMERCI 2014/04/24	MATERIAL NO.	DOCUMENT NO.	SHEET NO.
				SEE CHART	SD-172253-1000	1 OF 1
				THIS DRAWING CONTAINS INFORMATION THAT IS PROPRIETARY TO MOLEX INCORPORATED AND SHOULD NOT BE USED WITHOUT WRITTEN PERMISSION		