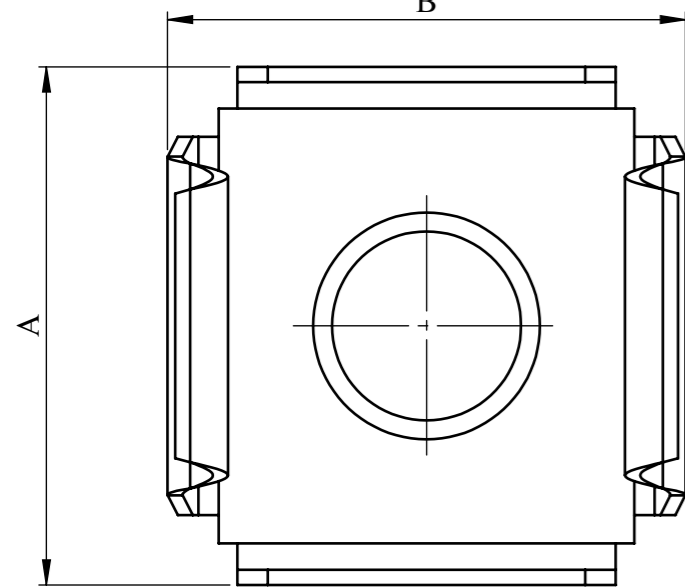


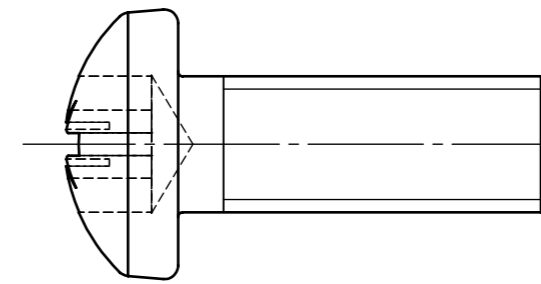
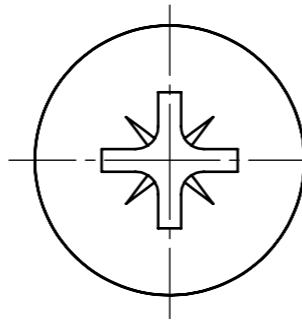
DEBUR AND BREAK SHARP EDGES

DO NOT SCALE DRAWING

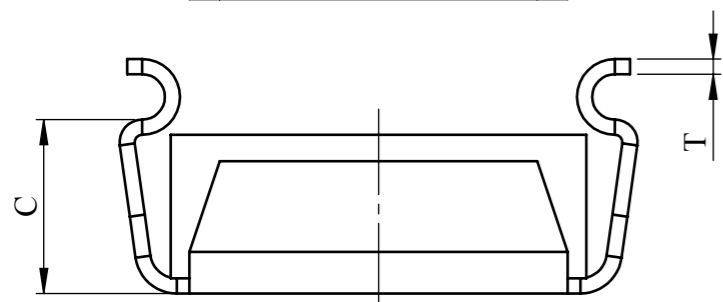
REVISION



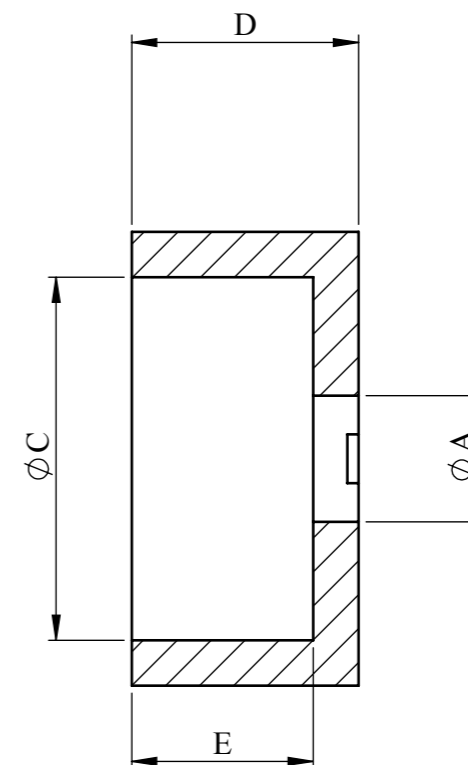
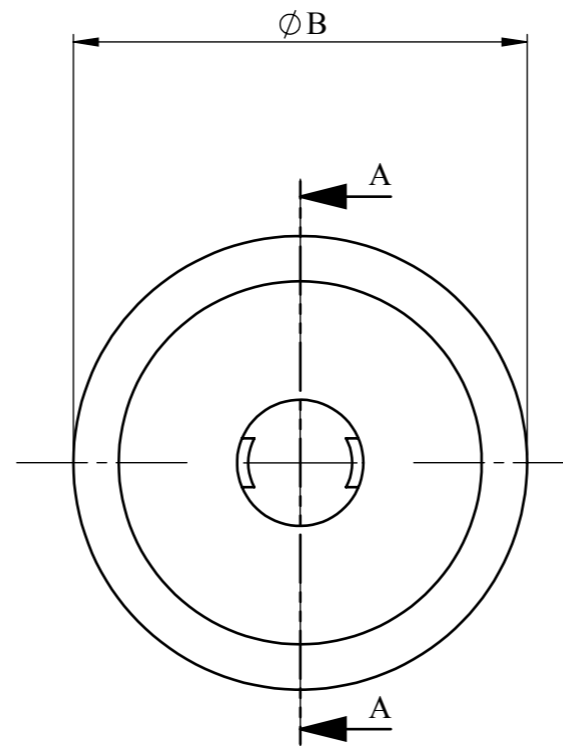
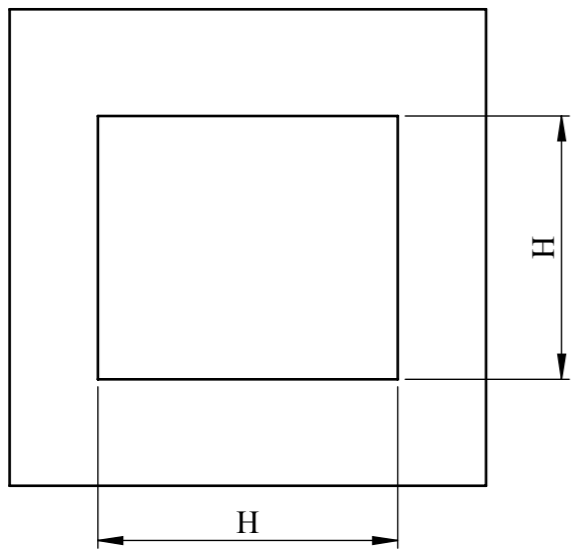
CAGE NUT				
A	B	C	T	H
13.14	13.84	6	0.38	9.53



M6 x 16 M/C SCREW TO DIN 7985



CAGE NUT - M6 WIDE
 PANEL RANGE 1,80 TO 2,60 (15 Swg TO 12 Swg)
 NUT SIZE - 11,10 SQ x 4,80 THICK



RETAINING CUP WASHER				
A	B	C	D	E
M6	15.00	12.00	4.00	2.70

NOTES

SCREW - STEEL 4,8, ZINC & CLEAR
 CAGE NUT - CAGE CS70 CARBON SPRUNG STEEL
 - NUT LOW CARBON MILD STEEL
 - ZINC & CLEAR
 RETAINING CUP WASHER - PA6 BLACK



DESIGN RIGHT. TR FASTENINGS LTD, 2003
 UNDER NO CIRCUMSTANCES MUST THIS
 DRAWING BE COPIED OR DISCLOSED,
 WITHOUT FIRST OBTAINING WRITTEN
 AUTHORITY.

UNLESS OTHERWISE SPECIFIED:
 DIMENSIONS ARE IN MILLIMETERS
 SURFACE FINISH:
 TOLERANCES:

ISO 2768 m

NAME	DATE
DRAWN MARTIN ELLIOTT	
CHK'D	
APPV'D	

CUSTOMER PART No

MATERIAL:

SEE NOTES

HEAT TREATMENT

SEE NOTES

FINISH:

SEE NOTES

TITLE:

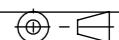
FIXING KIT, PANEL, M6

DWG NO.

TRFAKIT0003

A3

PROJECTION



SHEET 1 OF 1