

STANDARD PROFILE SHELL

LOW PROFILE SHELL



REVISIONS			
REV	DESCRIPTION, ECN, EAR NO.	DATE	APP'D
A	PRODUCT DRAWING (EAR 14298)	JUL28/14	K.L.

ORDERING CODE: MUSB R - AA 11 - X X

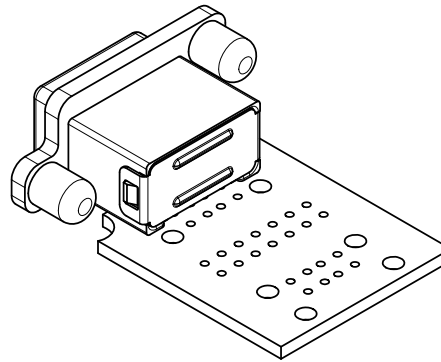
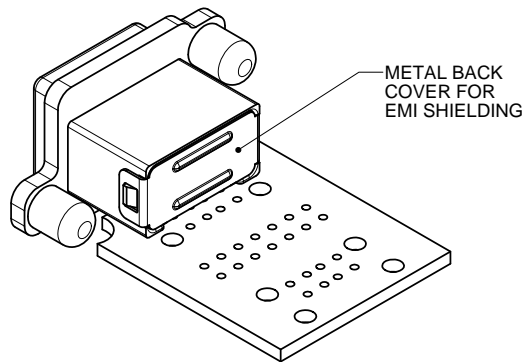
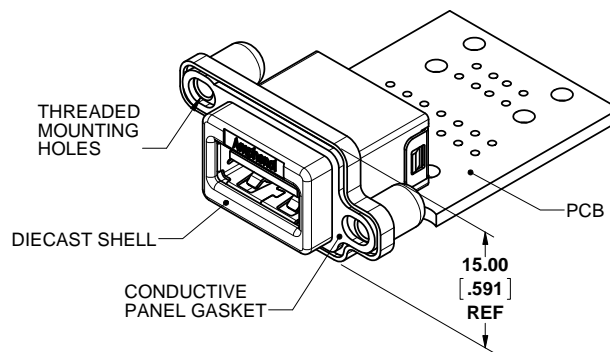
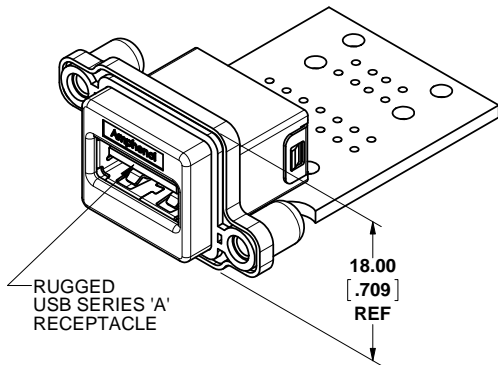
SERIES, RUGGED USB

USB SERIES 'A' RECEPTACLE, RIGHT ANGLE, ON PCB WITH HOLES FOR WIRING

SHELL & THREAD OPTION
 3 = STD. PROFILE, #4-40 UNC THREAD
 4 = LOW PROFILE, #4-40 UNC THREAD
 M = STD. PROFILE, M3 X 0.5 THREAD
 R = LOW PROFILE, M3 X 0.5 THREAD

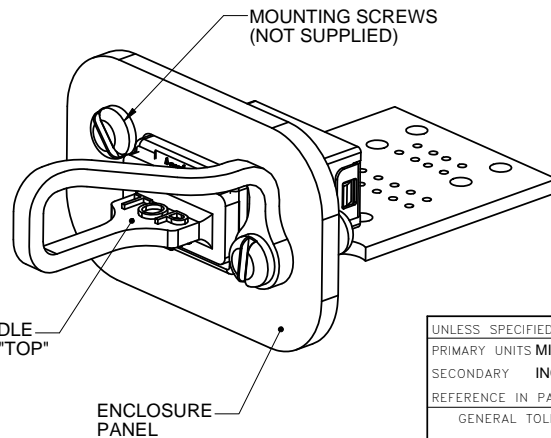
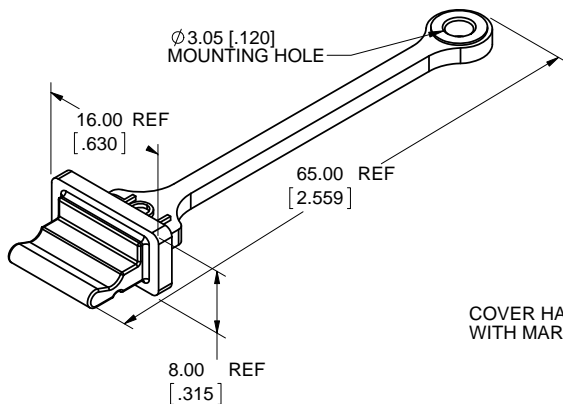
DUST COVER OPTION
 0 = NO DUST COVER SUPPLIED
 1 = WITH GREY DUST COVER SUPPLIED
 5 = WITH BLACK DUST COVER SUPPLIED

SPECIAL CONNECTORS
 MANY UNIQUE FEATURES ARE READILY AVAILABLE TO SUIT CUSTOMER REQUIREMENTS. CONSULT WITH AMPHENOL CANADA FOR DETAILS.



DUST COVER OPTION
 SEE ORDERING CODE

DUST COVER APPLICATION VIEW



NOTES:

- MATERIAL:**
 - ALL MATERIALS ARE RoHS COMPLIANT PER EU DIRECTIVE 2011/65/EU AND AMENDMENTS
 - OUTER SHELL - DIECAST ZINC ALLOY, NICKEL PLATED
 - CONTACTS - PHOSPHOR BRONZE, PLATED WITH 0.76 µm (30 µ") GOLD OVER 1.27 µm (50 µ") NICKEL ON THE MATING AREA WITH MATTE TIN PLATING ON THE TAILS.
 - USB HOUSING - ENGINEERING THERMOPLASTIC, HIGH TEMPERATURE RESISTANT, FLAMMABILITY RATING UL94V-0, BLACK.
 - USB SHIELD & BACK COVER - STAINLESS STEEL, PASSIVATED
 - PANEL GASKET - CONDUCTIVE SILICONE RUBBER, BLACK
 - DUST COVER - SILICONE RUBBER WITH NICKEL PLATED BRASS BUSHING. SEE ORDERING CODE FOR DUST COVER OPTIONS.
 - PCB - FR-4 FIBERGLASS, LEAD FREE
- ENVIRONMENTAL PERFORMANCE PER IEC 60529 CODE IP67 FOR SEAL BETWEEN MATING AREA AND PCB SIDE OF CONNECTOR. GASKET PROVIDES SEAL TO INSIDE FACE OF ENCLOSURE PANEL. AVAILABLE DUST COVER PROVIDES ADDED PROTECTION.
- CURRENT RATING: 1.5 AMPERES
- CONTACT RESISTANCE: 50 MILLIOHMS MAXIMUM (SUBJECT TO VERIFICATION).
- OPERATING TEMPERATURE: -40°C TO +105°C.
- DUST COVERS MAY BE ORDERED SEPARATELY. SPECIFY
 - PART NUMBER MUSB-2A111-014BP FOR THE GREY COVER OR
 - PART NUMBER MUSB-2A111-024BP FOR THE BLACK COVER.

UNLESS SPECIFIED OTHERWISE	DRAWN	D.STONE	JUL28/14
PRIMARY UNITS MILLIMETERS	CHECKED		
SECONDARY INCHES	M.E. APP'D		
REFERENCE IN PARENTHESES	Q.A. APP'D		
GENERAL TOLERANCES	DWG APPR.	K.LAMBIE	JUL28/14
1 DECIMAL PLACE	ENG. REL. NO.		
2 DECIMAL PLACES ±0.15	REF.	EAR 14298	
3 DECIMAL PLACES	THIRD ANGLE PROJECTION		
ANGULAR DEGREES	DO NOT SCALE DRAWING		

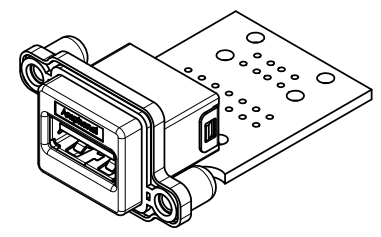
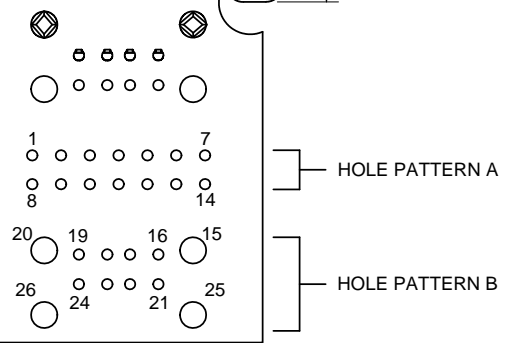
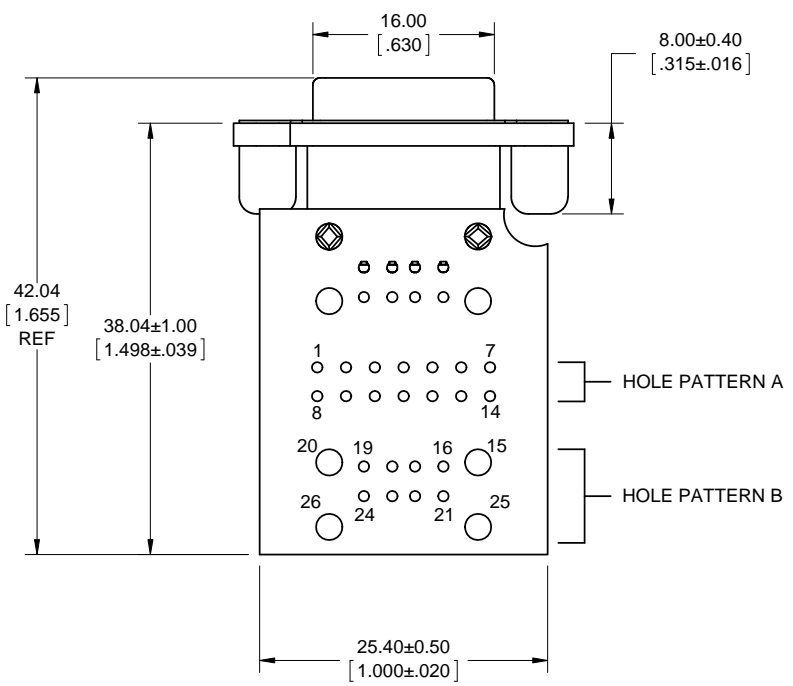
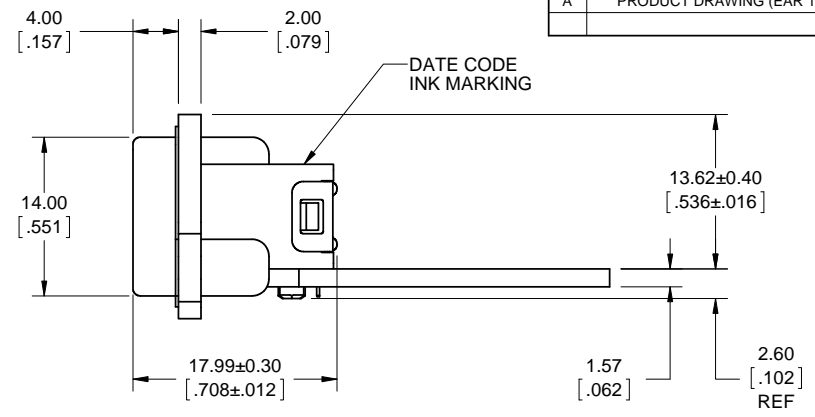
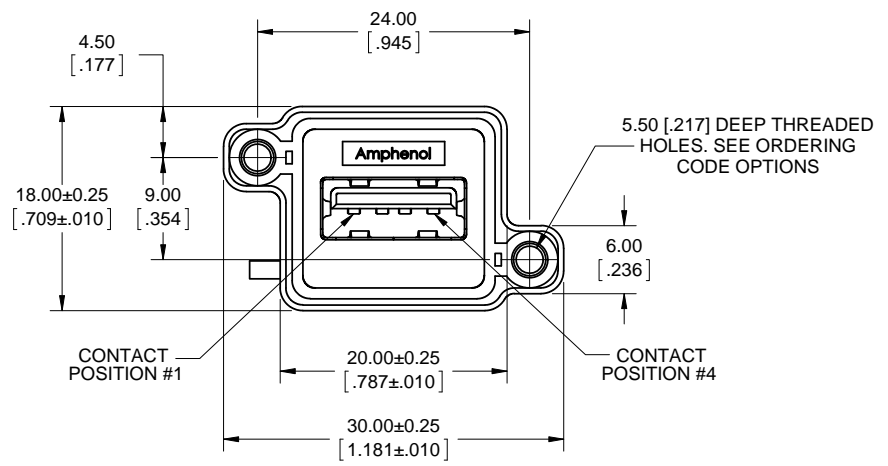
Amphenol Canada Corp.
www.amphenolcanada.com

MUSB R SERIES RUGGED USB CONNECTOR, SERIES 'A' RECEPTACLE, RIGHT ANGLE, ON PCB WITH HOLES FOR WIRING, THREAD, SHELL & DUST COVER OPTIONS, RoHS COMPLIANT

DWG. NO. **P-MUSB R-AA11-XX** REV **A**

CODE ID NO. 03554 DWG SIZE: C SCALE: 3:1 SHEET 1 OF 3

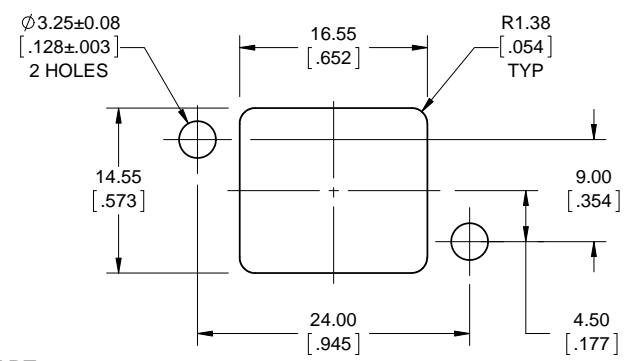
REVISIONS			
REV	DESCRIPTION, ECN, EAR NO.	DATE	APP'D
A	PRODUCT DRAWING (EAR 14298)	JUL28/14	K.L.



RUGGED USB TO PCB CONNECTION CHART

RUGGED USB RECEPTACLE	PCB HOLE PATTERN A	PCB HOLE PATTERN B
SHELL/GROUND	HOLE 1	HOLES 15, 20, 25 OR 26
CONTACT 1	HOLE 14	HOLE 21
CONTACT 2	HOLE 13	HOLE 22
CONTACT 3	HOLE 12	HOLE 23
CONTACT 4	HOLE 11	HOLE 24

WIRES MAY BE CONNECTED TO HOLE PATTERN A OR B OR A COMBINATION OF THE TWO PATTERNS



RECOMMENDED PANEL CUTOUT
OUTSIDE VIEW OF PANEL

STANDARD PROFILE SHELL SHOWN

**AMPHENOL CANADA PART NUMBERS: MUSBR-AA11-3X
MUSBR-AA11-MX**



UNLESS SPECIFIED OTHERWISE	DRAWN	D.STONE	JUL28/14
PRIMARY UNITS MILLIMETERS	CHECKED		
SECONDARY INCHES	M.E. APP'D		
REFERENCE IN PARENTHESES	Q.A. APP'D		
GENERAL TOLERANCES	DWG APPR.	K.LAMBIE	JUL28/14
1 DECIMAL PLACE	ENG. REL. NO.		
2 DECIMAL PLACES ±0.15	REF.	EAR 14298	
3 DECIMAL PLACES	THIRD ANGLE PROJECTION		
ANGULAR DEGREES	DO NOT SCALE DRAWING		

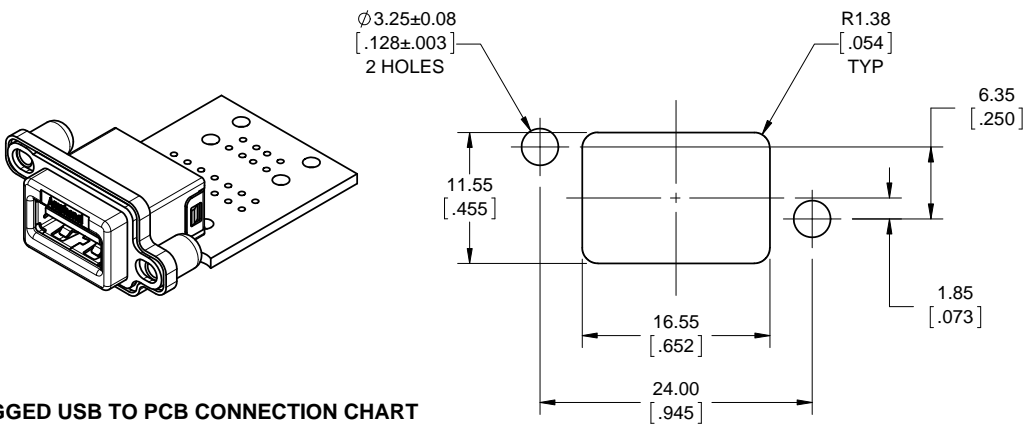
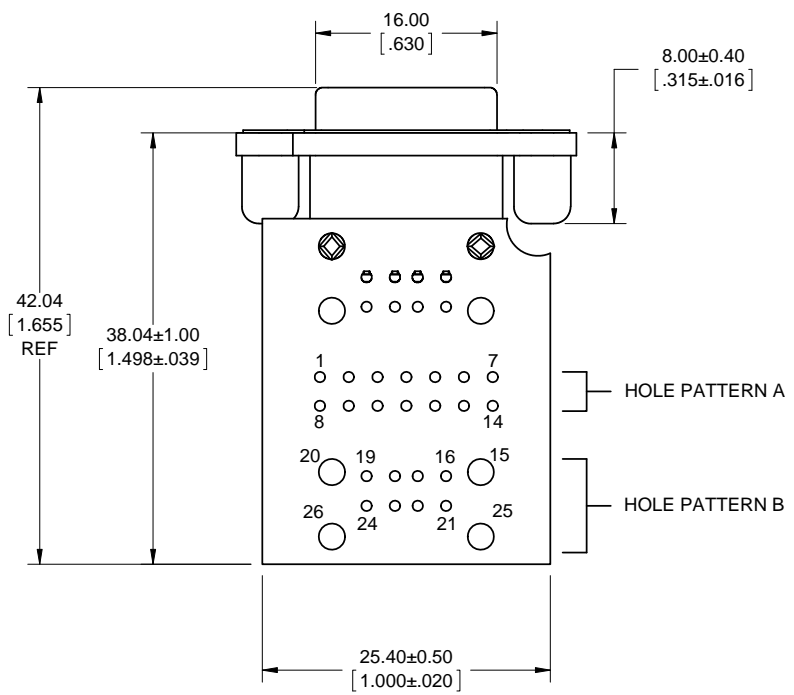
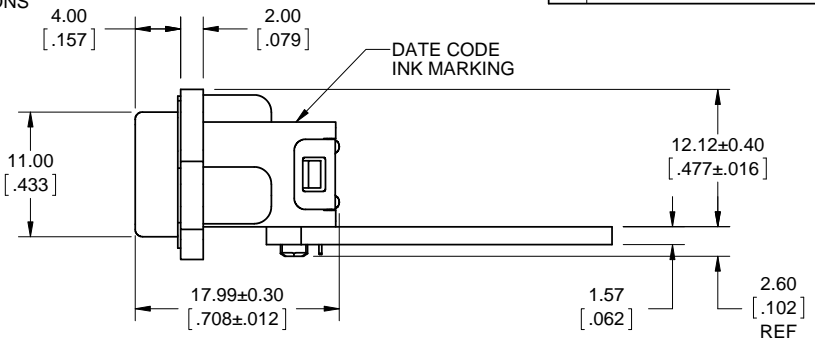
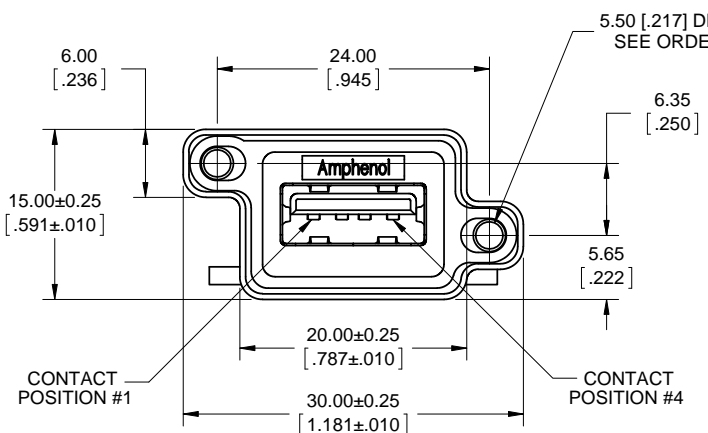
Amphenol Canada Corp.
www.amphenolcanada.com

MUSBR SERIES RUGGED USB CONNECTOR, SERIES 'A' RECEPTACLE, RIGHT ANGLE, ON PCB WITH HOLES FOR WIRING, THREAD, SHELL & DUST COVER OPTIONS, RoHS COMPLIANT

DWG. NO. **P-MUSBR-AA11-XX** REV **A**

CODE ID NO. 03554 DWG SIZE: C SCALE: 3:1 SHEET 2 OF 3

REVISIONS			
REV	DESCRIPTION, ECN, EAR NO.	DATE	APP'D
A	PRODUCT DRAWING (EAR 14298)	JUL28/14	K.L.



RUGGED USB TO PCB CONNECTION CHART

RUGGED USB RECEPTACLE	PCB HOLE PATTERN A	PCB HOLE PATTERN B
SHELL/GROUND	HOLE 1	HOLES 15, 20, 25 OR 26
CONTACT 1	HOLE 14	HOLE 12
CONTACT 2	HOLE 13	HOLE 22
CONTACT 3	HOLE 12	HOLE 23
CONTACT 4	HOLE 11	HOLE 24

WIRES MAY BE CONNECTED TO HOLE PATTERN A OR B OR A COMBINATION OF THE TWO PATTERNS

**RECOMMENDED PANEL CUTOUT
OUTSIDE VIEW OF PANEL**

LOW PROFILE SHELL SHOWN

**AMPHENOL CANADA PART NUMBERS: MUSBR-AA11-4X
MUSBR-AA11-RX**



UNLESS SPECIFIED OTHERWISE	DRAWN	D.STONE	JUL28/14
PRIMARY UNITS MILLIMETERS	CHECKED		
SECONDARY INCHES	M.E. APP'D		
REFERENCE IN PARENTHESES	Q.A. APP'D		
GENERAL TOLERANCES	DWG APPR.	K.LAMBIE	JUL28/14
1 DECIMAL PLACE	ENG. REL. NO.		
2 DECIMAL PLACES ±0.15	REF.	EAR 14298	
3 DECIMAL PLACES	THIRD ANGLE PROJECTION		
ANGULAR DEGREES	DO NOT SCALE DRAWING		

Amphenol Canada Corp.
www.amphenolcanada.com

MUSBR SERIES RUGGED USB CONNECTOR, SERIES 'A' RECEPTACLE, RIGHT ANGLE, ON PCB WITH HOLES FOR WIRING, THREAD, SHELL & DUST COVER OPTIONS, RoHS COMPLIANT

DWG. NO. _____ REV _____

P-MUSBR-AA11-XX REV **A**

CODE ID NO. 03554 DWG SIZE: C SCALE: 3:1 SHEET 3 OF 3