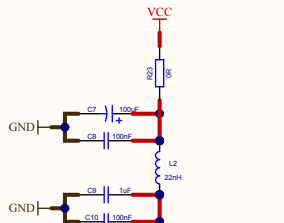
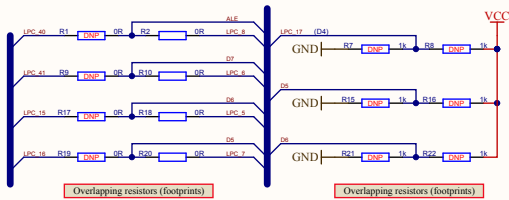
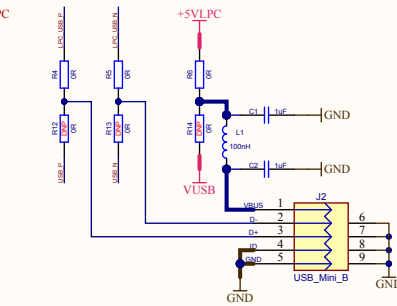


INTERFACE CONFIG I2C ADDRESS CONFIG



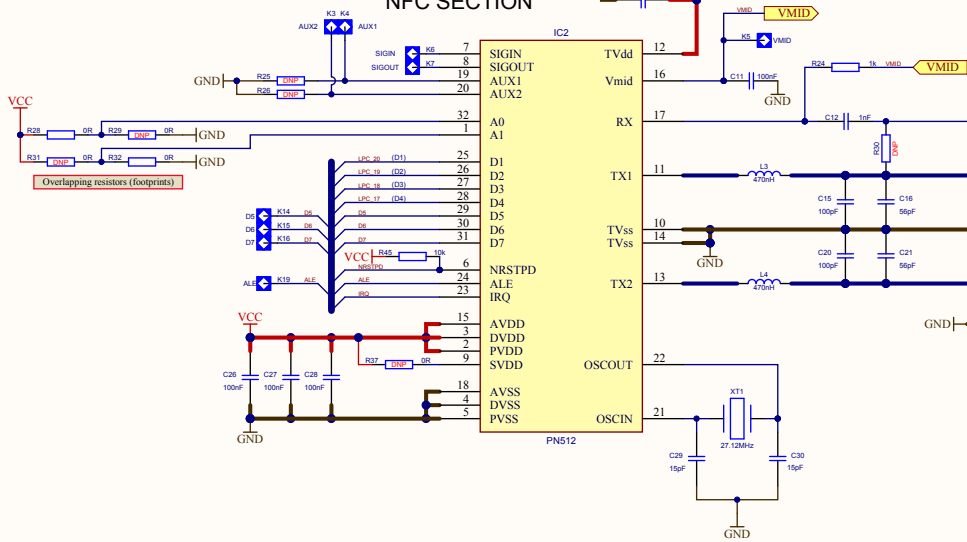
OPTIONAL +3.3V POWER SUPPLY

Overlapping resistors (footprints)



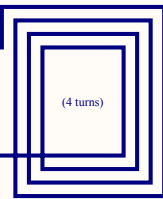
USB CONNECTOR

NFC SECTION

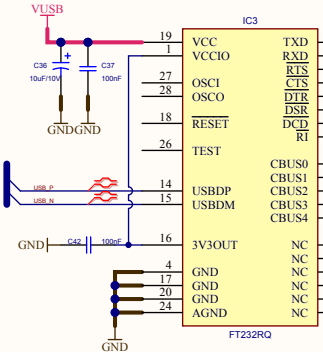


MATCHING

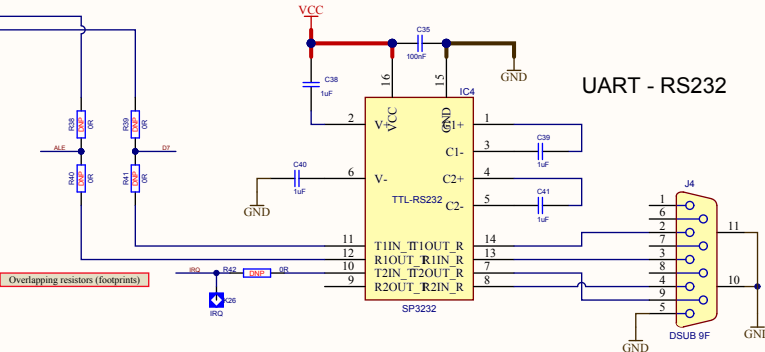
ANTENNA



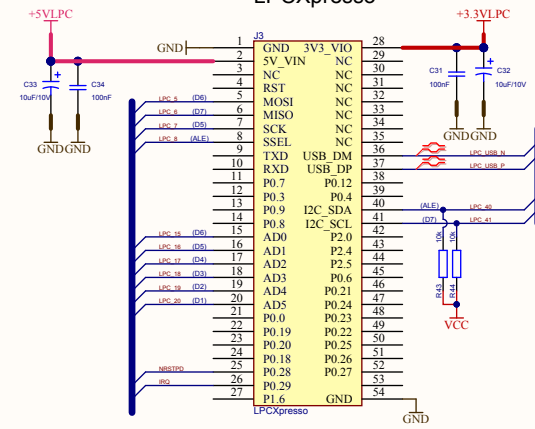
USB - UART



UART - RS232



LPCxpresso



Title: <b>Blueboard_PNEV512B</b>	
Date: 28.9.2012	Revision: v1.5
File: Blueboard_PNEV512B v1.5.SchDoc	Drawn By: GVR
Sheet: 1 of 1	Paper Size: A3



DNP: Do Not Place