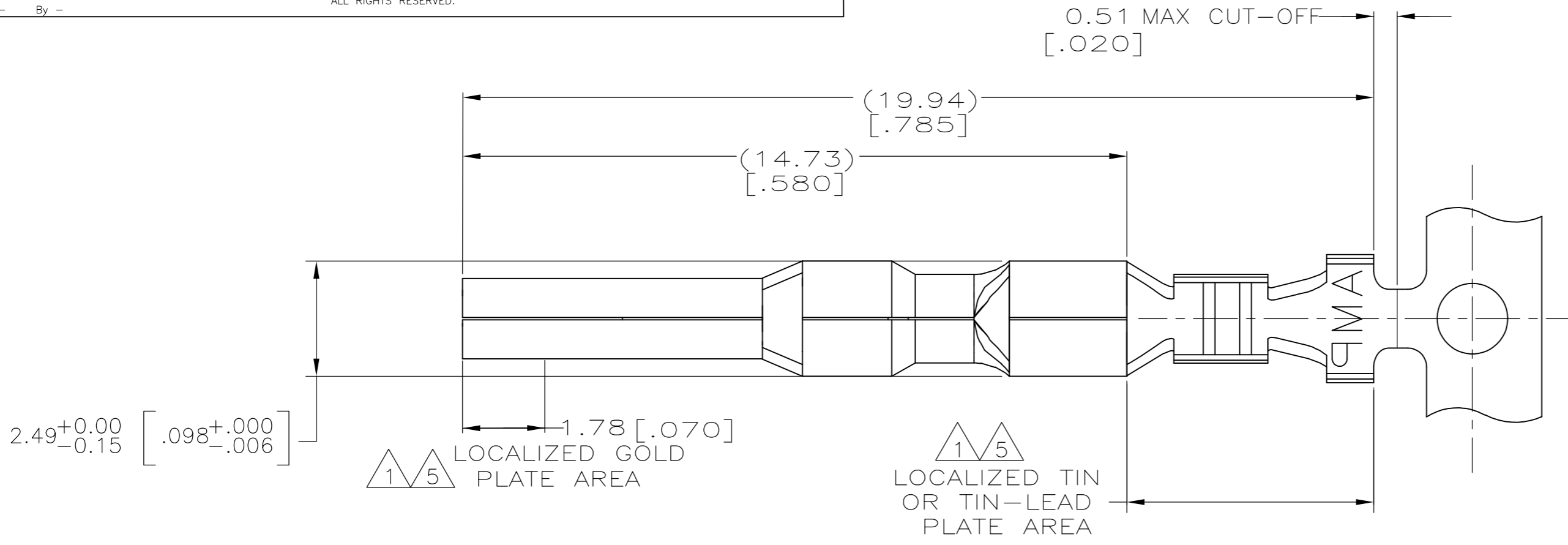
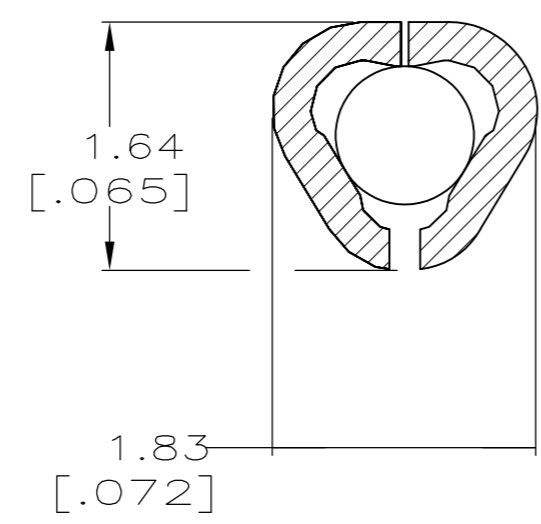
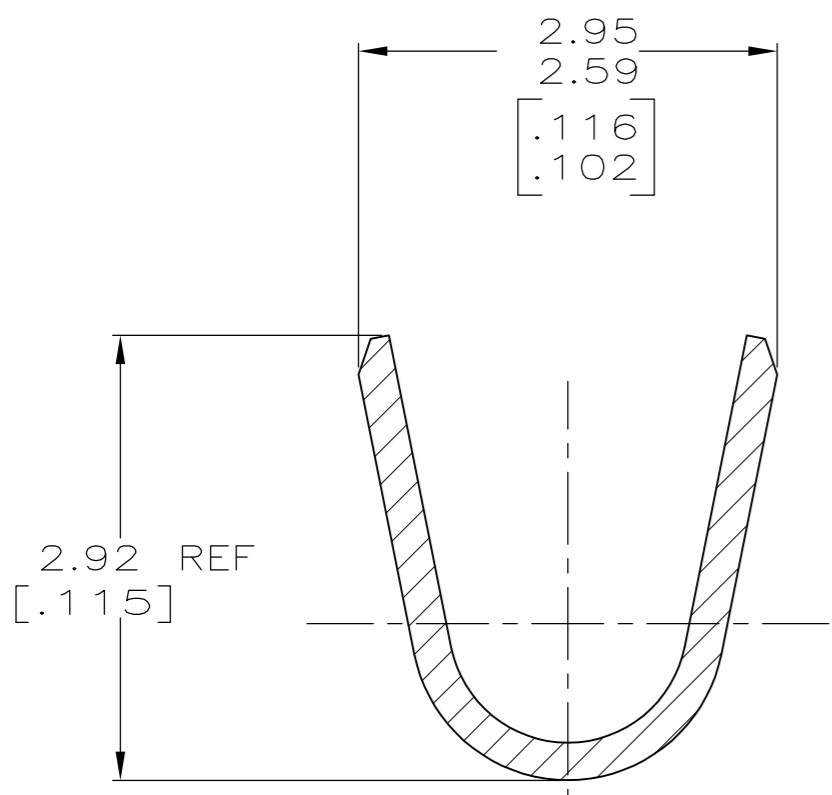
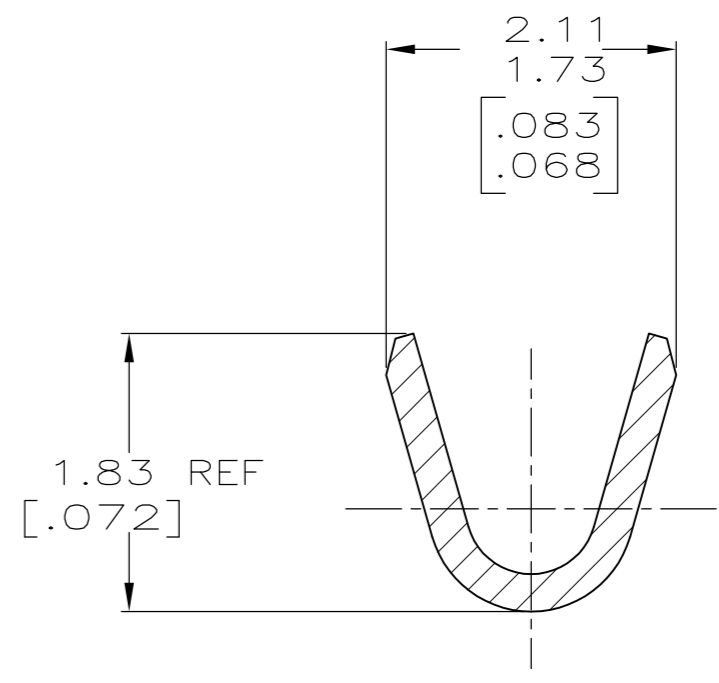
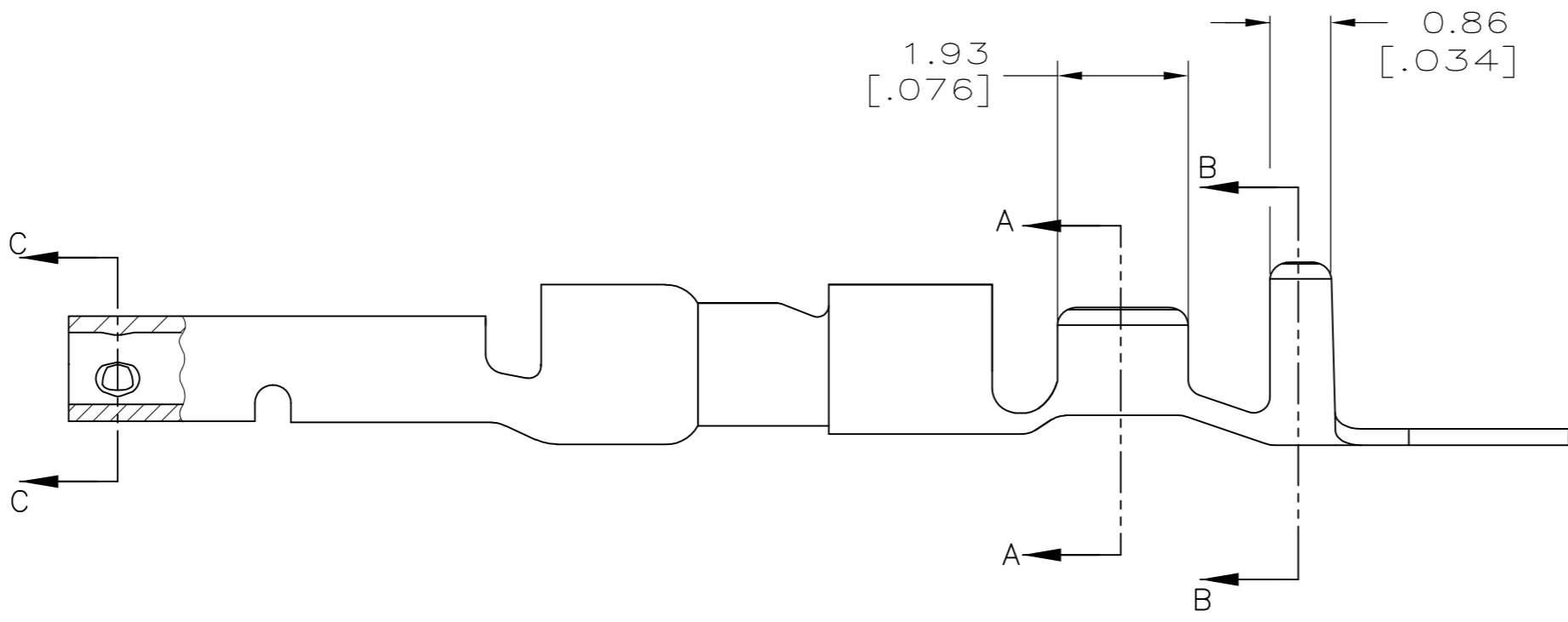


THIS DRAWING IS UNPUBLISHED. RELEASED FOR PUBLICATION
 © COPYRIGHT - By - ALL RIGHTS RESERVED.

LOC	DIST	REVISIONS			
P	LTR	DESCRIPTION	DATE	DWN	APVD
CM	00				
	F2	REVISED PER ECR-12-010267	05JUN12	JR	TM
	G	REVISED PER ECR-13-011599	08NOV13	AV	RP



- 1 0.00076 [.000030] MIN GOLD IN LOCALIZED GOLD PLATE AREA AND 0.00254 [.000100] MIN BRIGHT TIN-LEAD IN LOCALIZED TIN-LEAD PLATE AREA OVER 0.0013 [.000050] MIN NICKEL.
- 2 WIRE RANGE: 0.12 - 0.4MM² (26-22 AWG).
- 3 INSULATION RANGE: 1.19-1.75 [.047-.069] DIA.
- 4 DIMENSIONS IN BRACKETS ARE IN INCHES.
- 5 0.00076 [.000030] MIN GOLD IN LOCALIZED GOLD PLATE AREA AND 0.00254 [.000100] MIN MATTE TIN IN LOCALIZED TIN PLATE AREA OVER 0.0013 [.000050] MIN NICKEL.
- 6 ROHS COMPLIANT.



FINISH	MATERIAL	PART NO
5	0.25 [.010] BRASS	1-794219-0
1	0.25 [.010] BRASS	794219-3
PRE-TIN	0.25 [.010] BRASS	794219-1

THIS DRAWING IS A CONTROLLED DOCUMENT.

DIMENSIONS: mm [INCHES]	TOLERANCES UNLESS OTHERWISE SPECIFIED:	DWN K. WHITAKER 04MAR2005	 TE Connectivity
	0 PLC ± -	CHK C. JONES 04MAR2005	
	1 PLC ± -	APVD C. JONES 04MAR2005	
	2 PLC ± -	PRODUCT SPEC	
MATERIAL SEE TABLE	FINISH SEE TABLE	APPL C. JONES 04MAR2005	NAME SOCKET, MINI UNIVERSAL MATE-N-LOK(TM) 2
		WEIGHT -	SIZE A2
		CUSTOMER DRAWING	CAGE CODE 00779
			DRAWING NO C=794219
			RESTRICTED TO -
			SCALE 10:1
			SHEET 1 of 1
			REV G