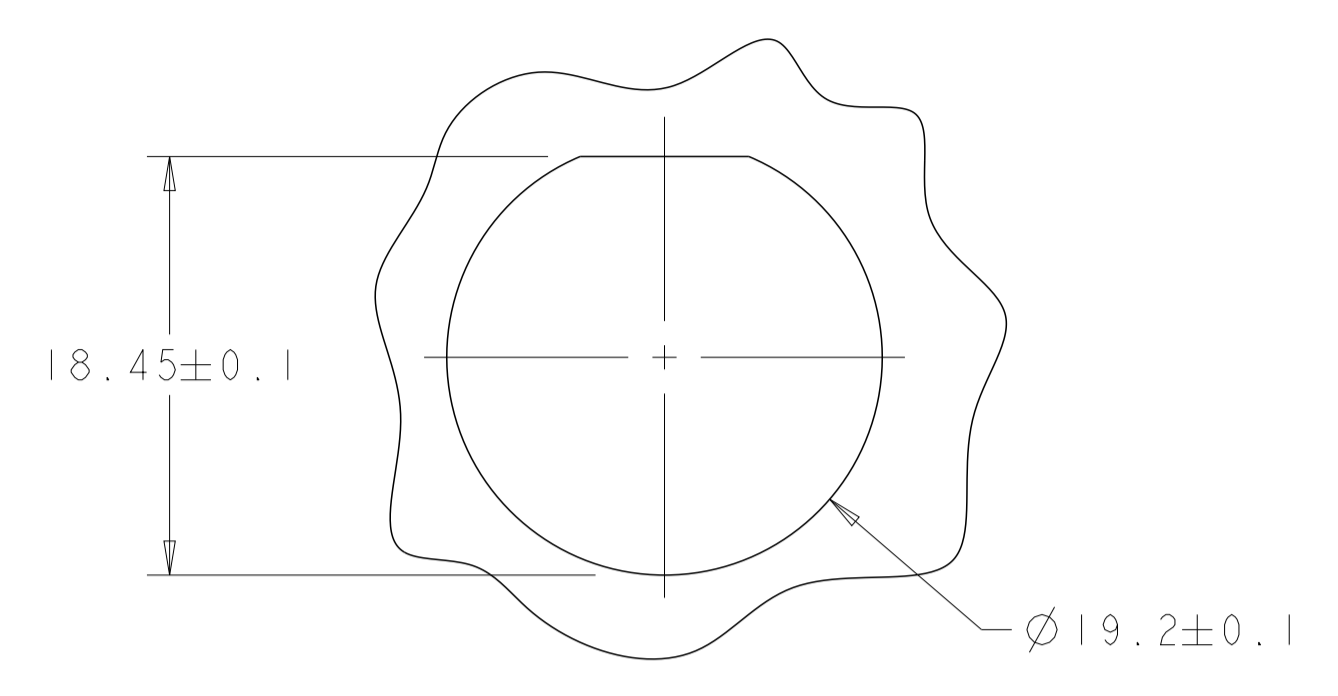
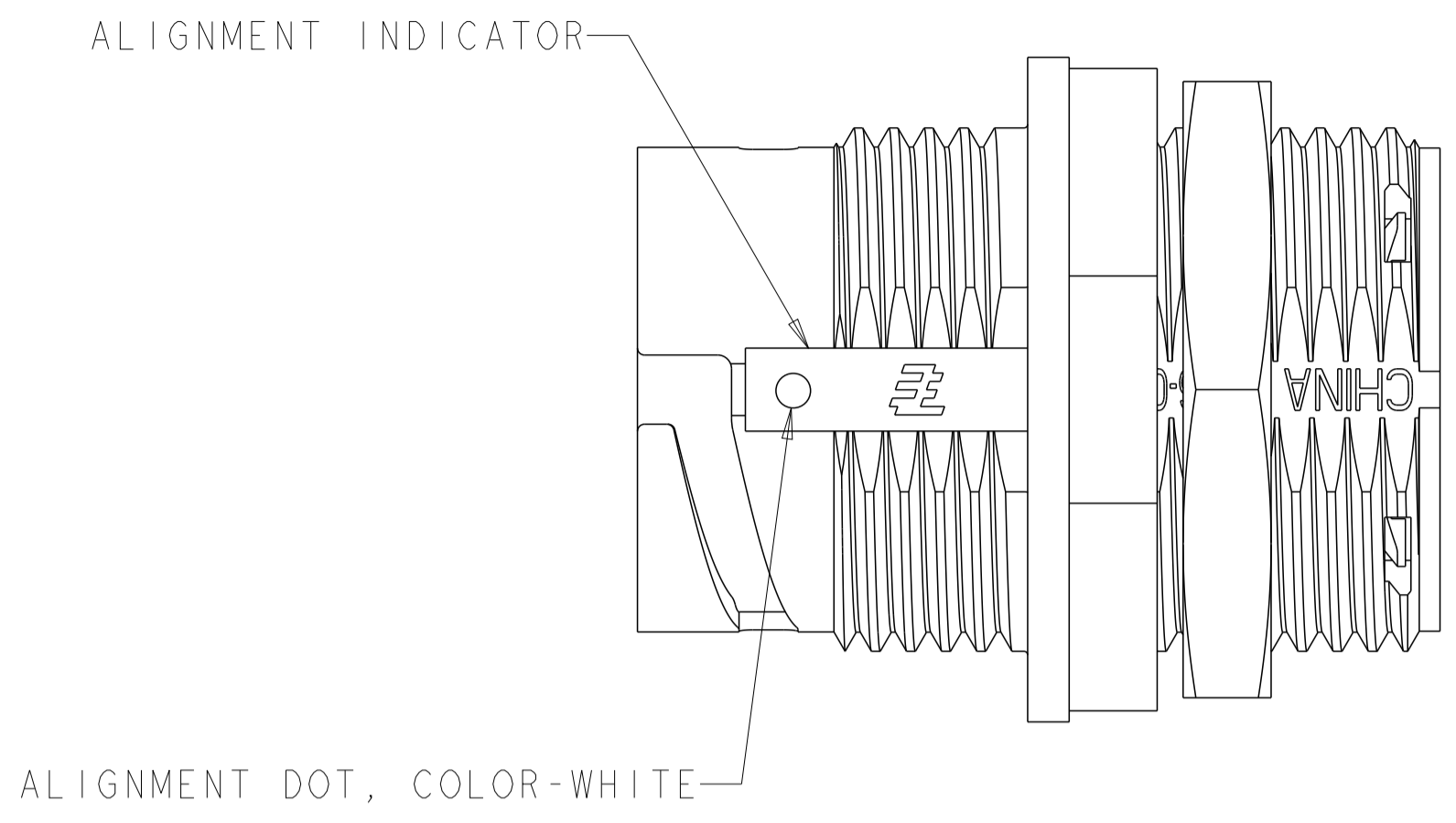


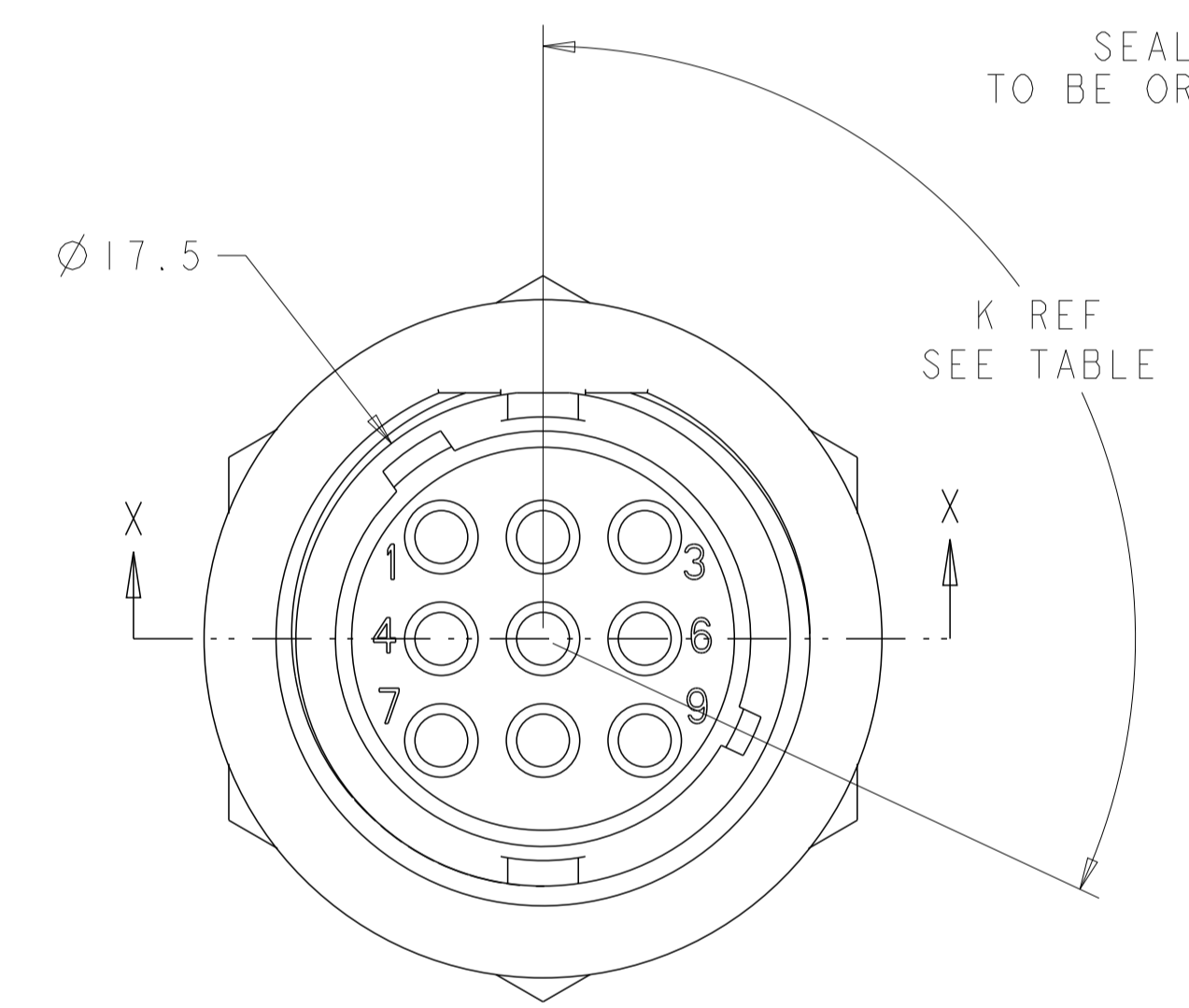
LOC		DIST		REVISIONS			
FT	0	P	LTM	DESCRIPTION	DATE	DWN	APVD
		C3		REVISED PER ECO-15-010004	13JUL2015	NK	MZ



SUGGESTED PANEL CUTOUT
 SCALE 3:1

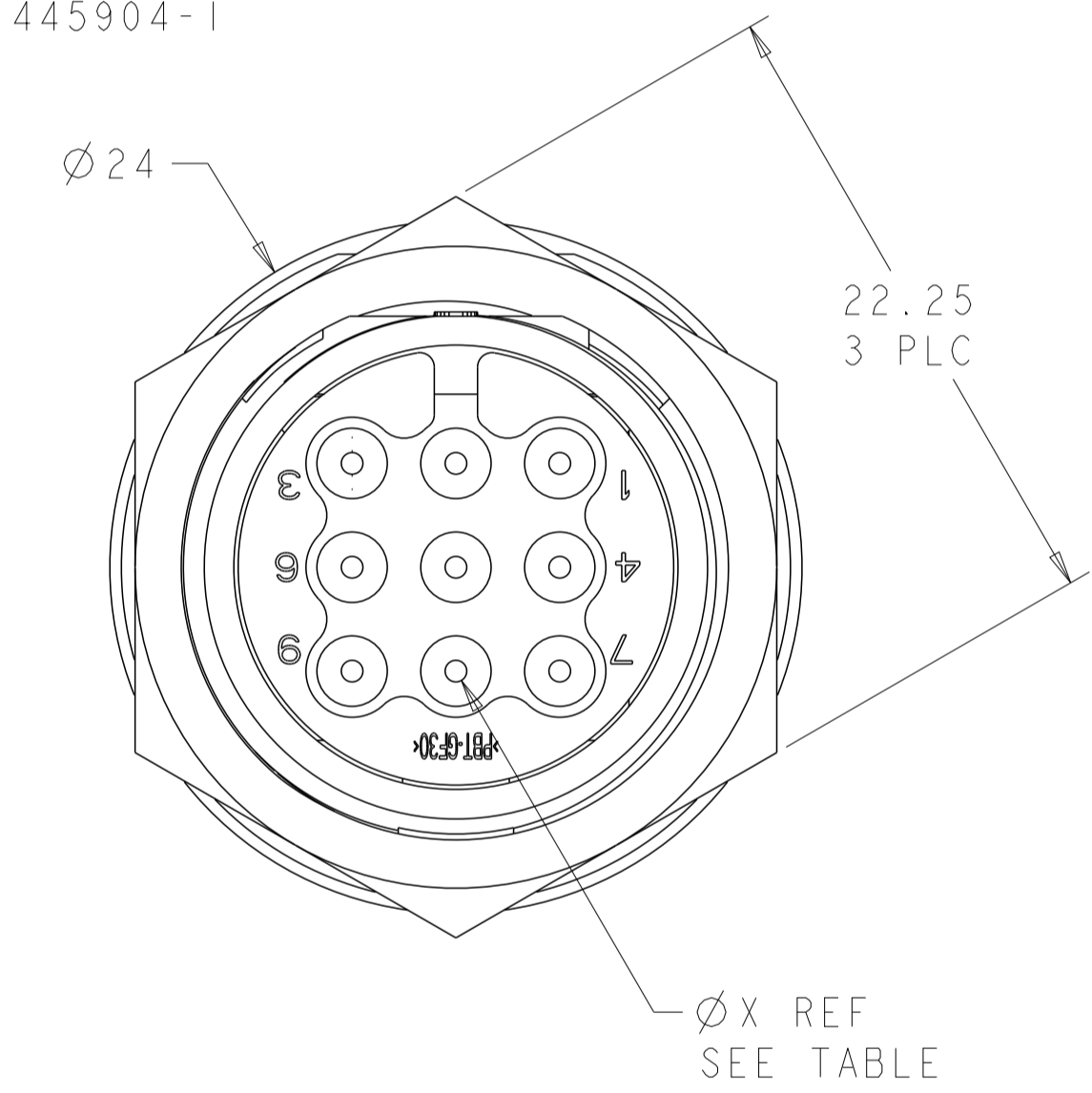
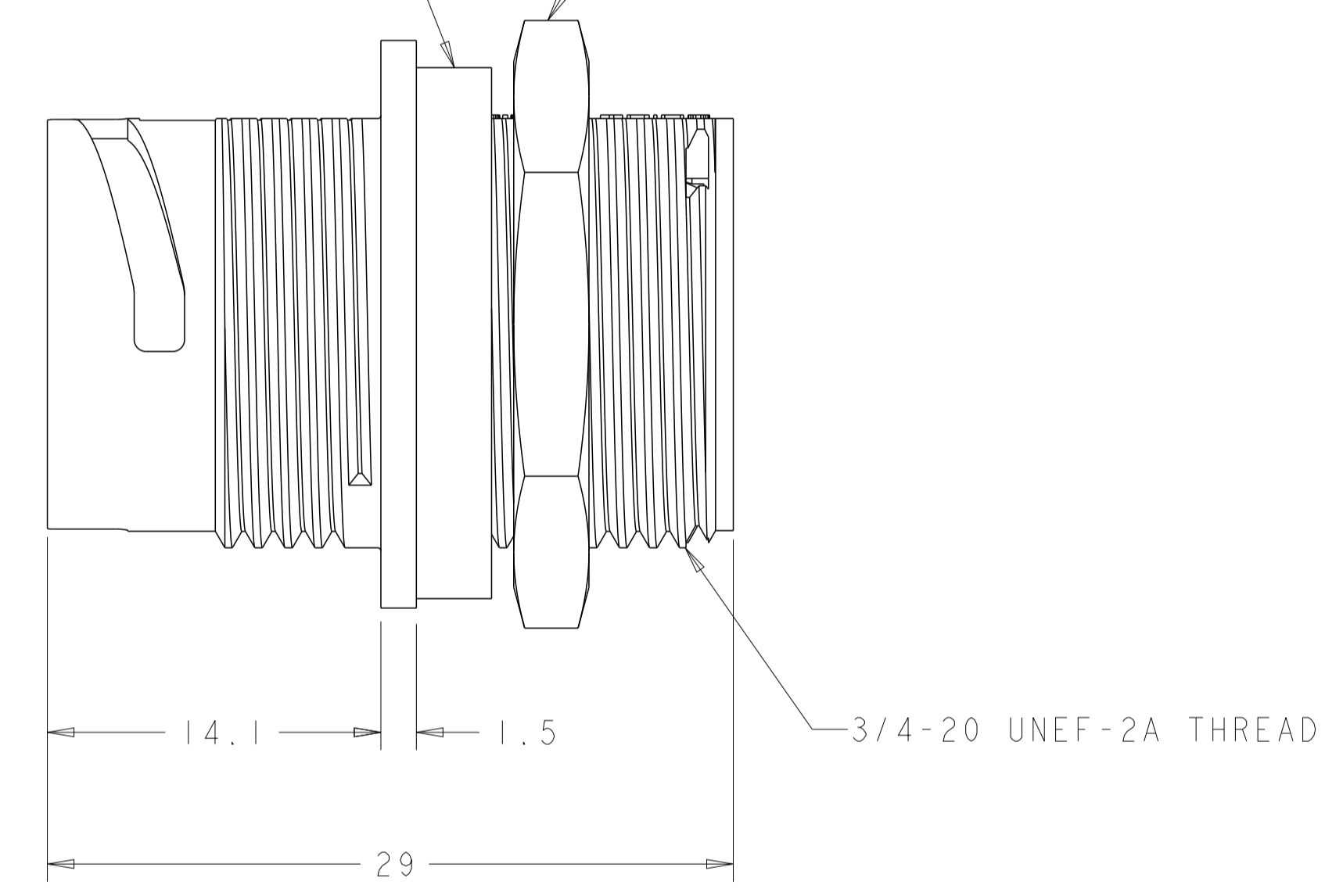


1. CONNECTOR CAN BE FRONT OR REAR PANEL MOUNTED.
 △ MAX PANEL THICKNESS - 3.18

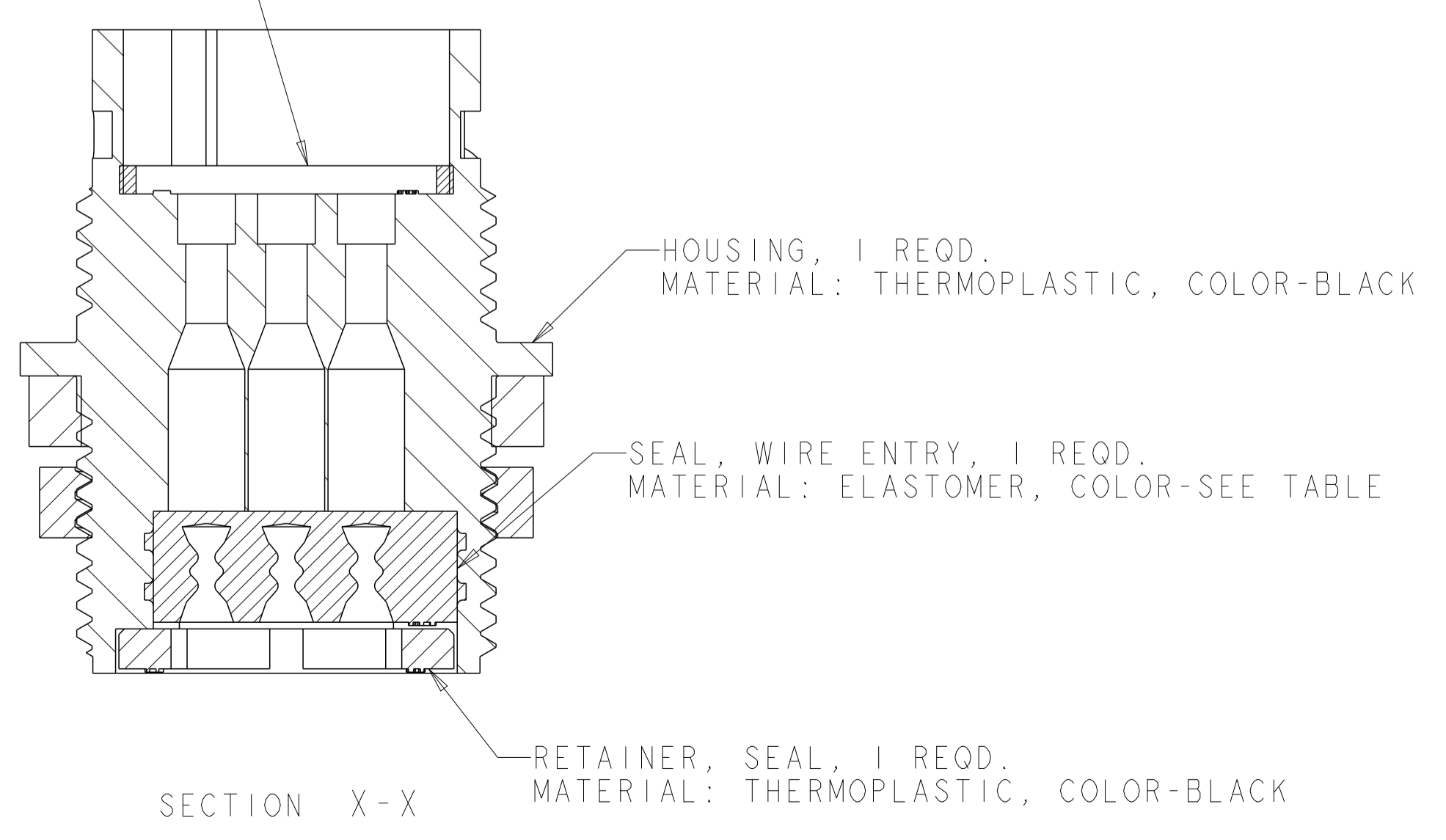


SEAL, PANEL; SHOWN FOR REFERENCE ONLY, TO BE ORDERED SEPARATELY, PART #1445420-02

JAM NUT, SHOWN FOR REFERENCE ONLY, TO BE ORDERED SEPARATELY, PART # 1445904-1



SEAL, PERIPHERAL, 1 REQD.
 MATERIAL: ELASTOMER, COLOR-GRAY



Ø 1.5	135°	B	NATURAL	BROWN	1445816-7
Ø 0.75	135°	B	YELLOW	RED	1445816-4
Ø 1.5	115°	A	NATURAL	BLACK	1445816-3
Ø 1.5	135°	B	NATURAL	RED	1445816-2
Ø 0.75	115°	A	YELLOW	BLACK	1445816-1
Ø X REF	K REF	KEYING CODE	WIRE ENTRY SEAL COLOR	HOUSING COLOR	PART NUMBER

THIS DRAWING IS A CONTROLLED DOCUMENT.

APVD: SHANE WIESE, 12OCT2001
 G DOUTY, 12OCT2001
 H. WAKEEM, 13JUN2003

TE Connectivity

ASSEMBLY, RECEPTACLE, SIZE 11, 9 POSITION, PANEL MOUNT, SEALED, MINI CPC

SIZE: A1 | CAGE CODE: 00779 | DRAWING NO: 1445816 | SHEET 1 OF 1 | REV C3