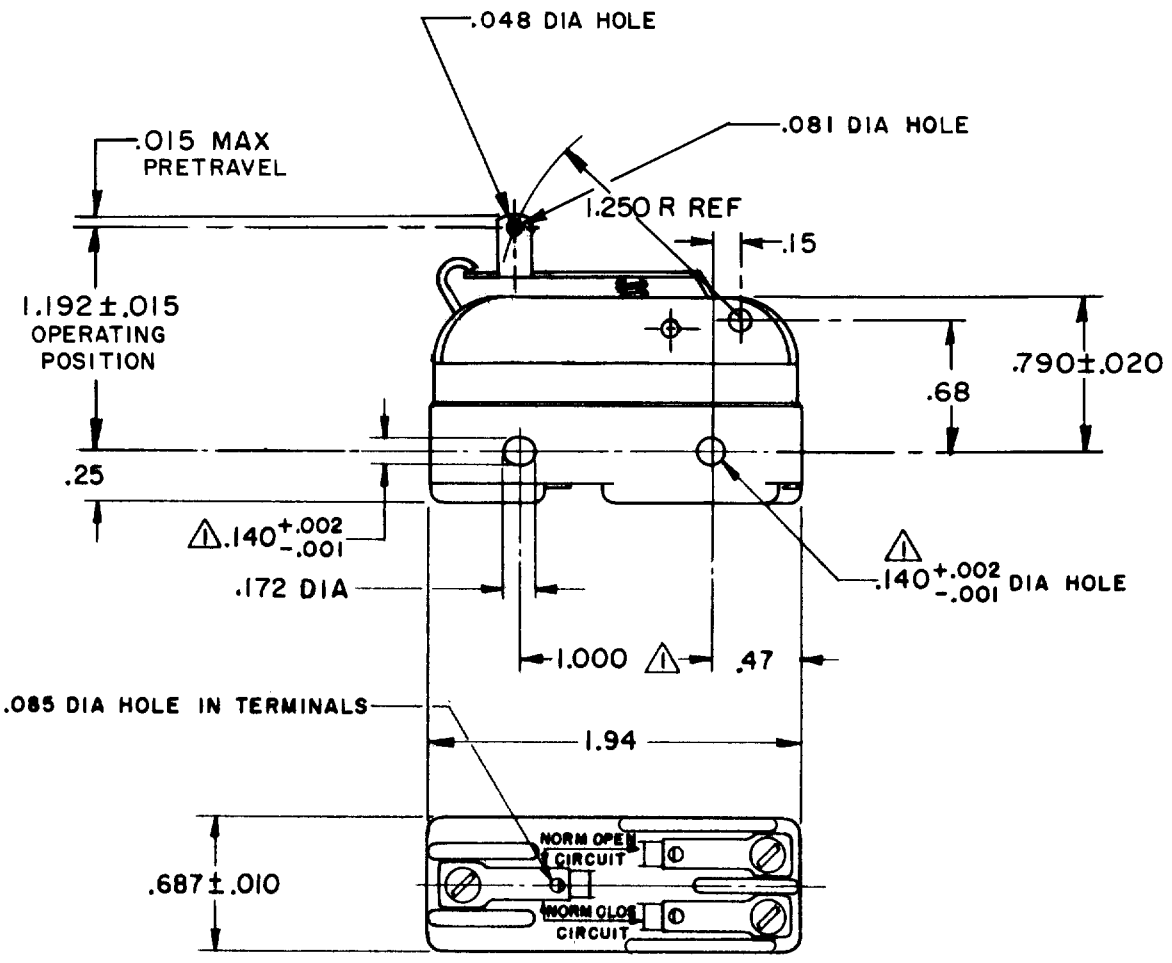
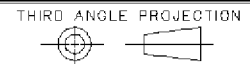


CATALOG LISTING
BZ-RW 9221
PAGE 1 OF 1
REPLACES
PR-1365
CHECK
16 SEP 99
JAF
CHECK
16 SEP 99
DCS
16 SEP 99
DRAWN
RASTER



NOTE-
 ▲ - MOUNTING HOLES WILL ACCEPT PINS OR SCREWS
 OF .139 MAX DIA ON 1.000 ± .002 CENTERS
 2 - PLASTIC PARTS ARE MADE OF MINERAL FILLED PHENOLICS

THIS DRAWING COVERS A PROPRIETARY ITEM AND IS THE PROPERTY OF MICRO SWITCH, A DIVISION OF HONEYWELL. THIS DRAWING IS NOT TO BE COPIED OR USED WITHOUT THE APPROVAL OF MICRO SWITCH.



CHARACTERISTICS
OPERATING FORCE - - - - - 12 OZ MAX
RELEASE FORCE - - - - - 4 OZ MIN
DIFFERENTIAL TRAVEL - - -.0005 - .0010
OVERTRAVEL - - - - - .100 MIN

ELECTRICAL DATA
CONTACT ARRANGEMENT S P D T
L95 10A 125, <u>250</u> OR 480 VAC 1/8HP 125 VAC, 1/4HP <u>250</u> VAC
L288 CE RU ®

SCALE	FULL	DO NOT SCALE PRINT
UNLESS OTHERWISE SPECIFIED TOLERANCES ARE		
ONE PLACE	(.0)	±.030
TWO PLACE	(.00)	±.015
THREE PLACE	(.000)	±.005
ANGLES		±
WEIGHT		

