

NOTES:

1. MATERIALS AND FINISHES:  
 BODY, OUTER CONTACT, COUPLING NUT, WASHER,  
 CLAMP NUT & BRAID CLAMP - BRASS, NICKEL PLATING  
 CONTACT - BRASS, SILVER PLATING  
 RETAINER RING - SUS 304, NATURAL  
 GASKETS - SILICON RUBBER, RED  
 INSULATORS - PTFE, NATURAL

2. ELECTRICAL:  
 A. IMPEDANCE: 50 OHM  
 B. FREQUENCY RANGE: DC - 11 GHz  
 C. VSWR: 1.3 MAX.  
 D. DIELECTRIC WITHSTANDING VOLTAGE: 2500 VRMS, MIN.

3. MECHANICAL:  
 A. DURABILITY: 500 CYCLES MIN.  
 B. TEMPERATURE RANGE: -55° C TO +85° C

4. PACKAGING:  
 A. QUANTITY: SINGLE PACK  
 B. MARKING: BAG TO BE MARKED  
 "AMPHENOL RF, 82-312, AND DATE CODE"

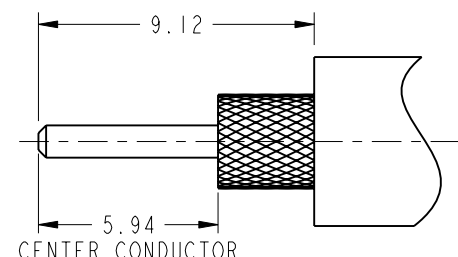
5. CABLE ASSEMBLY INSTRUCTIONS:  
 A. STRIP CABLE AS SHOWN.  
 B. SLIDE CLAMP NUT, GASKET & BRAID CLAMP OVER CABLE SHEATH.  
 C. COMB OUT THE BRAID AND FOLD BACK.  
 D. SLIDE WASHER OVER DIELECTRIC. PUSH FIRMLY AGAINST BRAID AND BRAID CLAMP.  
 E. SLIDE INSULATOR TWO OVER CONTACT  
 F. SOLDER CABLE CENTER CONDUCTOR TO CENTER CONTACT.  
 G. SLIDE INSULATOR ONE OVER CONTACT  
 H. SLIDE SUB-ASSEMBLY TO THE REAR SIDE OF THE BODY AND TIGHTEN WITH PROPER SPANNER. MAKE ENSURE INTERFACE DIMENSIONS TO MEET.

6 SHOWS CABLE ENTRY DIMENSIONS.

THIRD ANGLE PROJ.

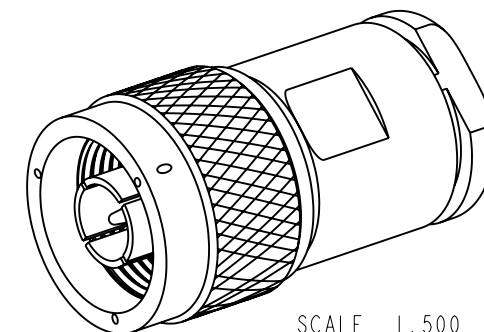
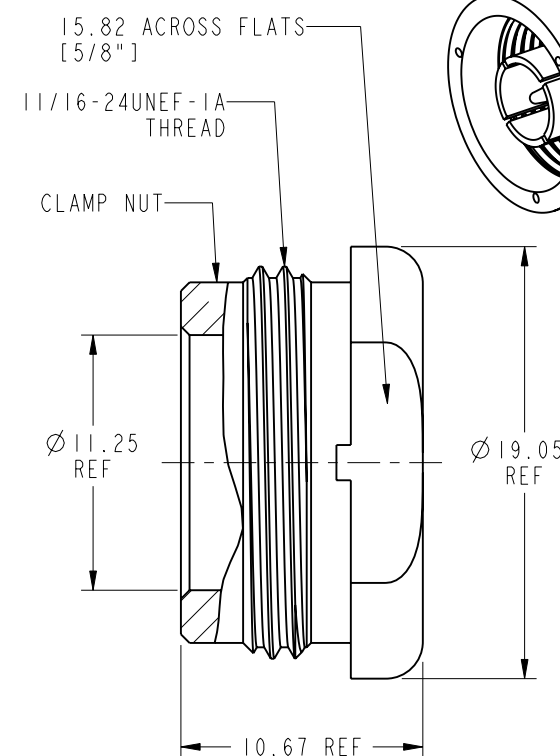
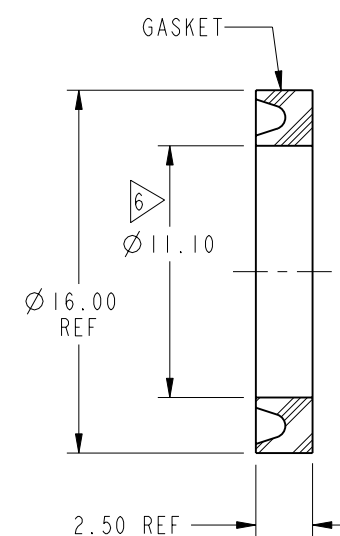
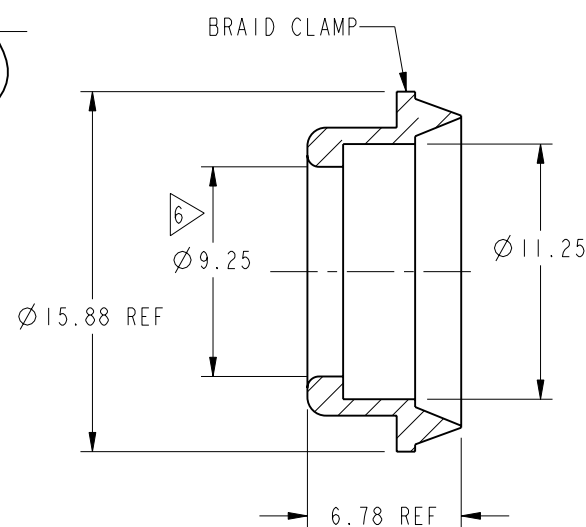
REVISIONS

REV	DESCRIPTION	DATE	ECO	APPR
A	RELEASE TO MFG	--	--	--
AB	17.45 ON FLATS WAS 14.75 ON FLATS/RD-DM09021901SI	24-Feb-09	--	SH
AC	REDRAWN IN PRO-E	28-May-15	50266	RM

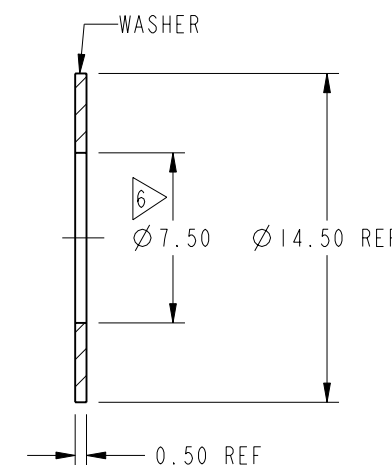
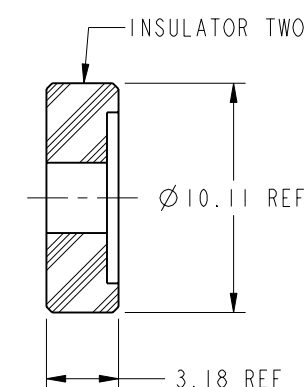
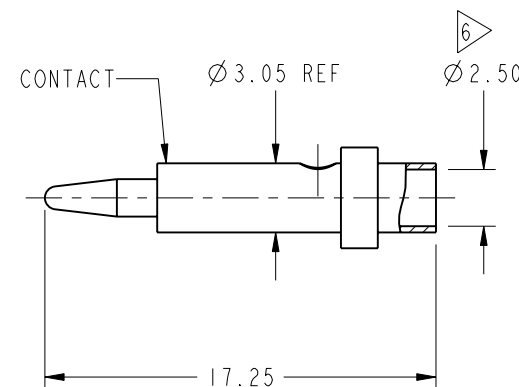
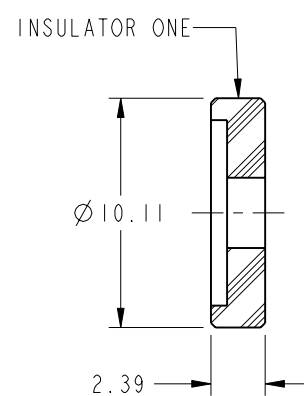
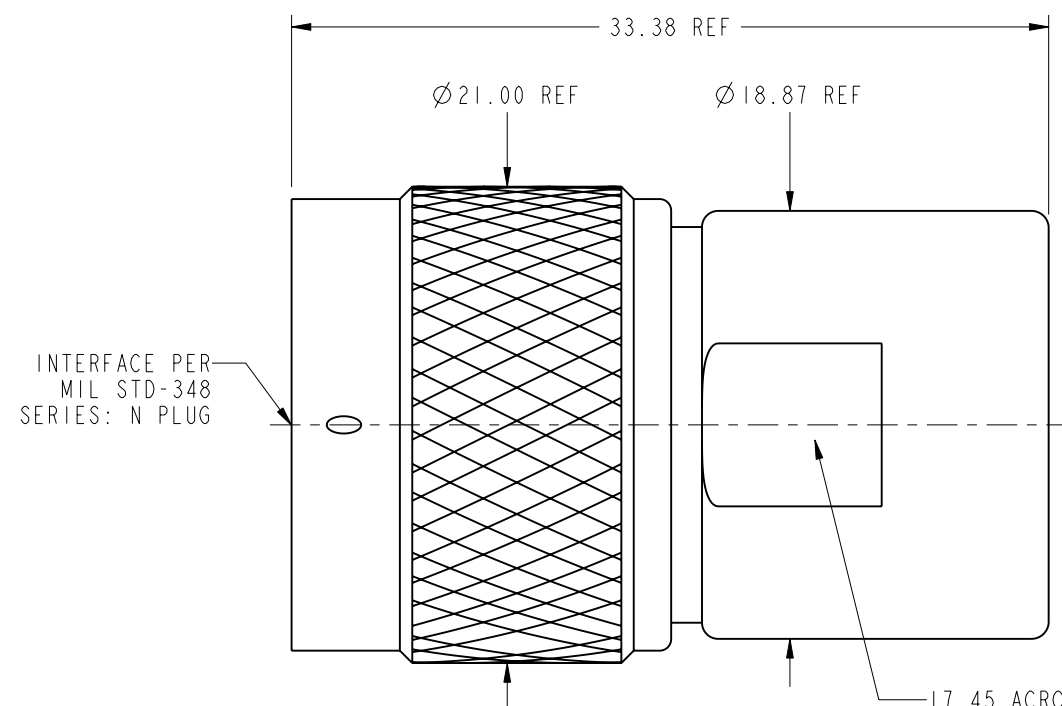


**RECOMMENDED CABLE STRIPPING DIMENSIONS**

SCALE 4.000



SCALE 1.500



**CUSTOMER OUTLINE DRAWING**

ALL OTHER SHEETS ARE FOR INTERNAL USE ONLY

UNLESS OTHERWISE SPECIFIED, DIMENSIONS ARE IN METRIC AND TOLERANCES ARE:  
 <0.5mm ±0.05mm    0.5 - 6mm ±0.1mm    6 - 30mm ±0.2mm    30 - 120mm ±0.3mm    ANGLES ±1°

NOTICE - These drawings, specifications, or other data (1) are, and remain the property of Amphenol corp. (2) must be returned upon request; and (3) are confidential and not to be disclosed to any person other than those to whom they are given by Amphenol Corp. the furnishing of these drawings, specifications, or other data by Amphenol Corp., or to any other person to anyone for any purpose is not to be regarded by implication or otherwise in any manner licensing, granting rights to permitting such holder or any other person to manufacture, use or sell any product, process or design, patented or otherwise, that may in any way be related to or disclosed by said drawings, specifications, or other data.

MATERIAL SEE NOTES	DRAWN RAJAGOPAL N	DATE 19-Nov-14	TITLE N STR CLAMP PLUG FOR RG-8/U, 9/U, 144/U, 165/U, 213/U CABLE	Amphenol RF www.amphenolrf.com
REFERENCE EAR #	ENGINEER LIGHTER	DATE 12-Oct-05		
CONFIGURATION LEVEL: In Work	APPROVED S. HSIEH	DATE 28-May-15	SCALE: 3.0:1.0   SHEET 2 OF 2	DRAWING NO. 82-312
FINISH	CAD FILE	DWG SIZE B	REV AC	ITEM NO. 82-312
				PART NO. 82-312