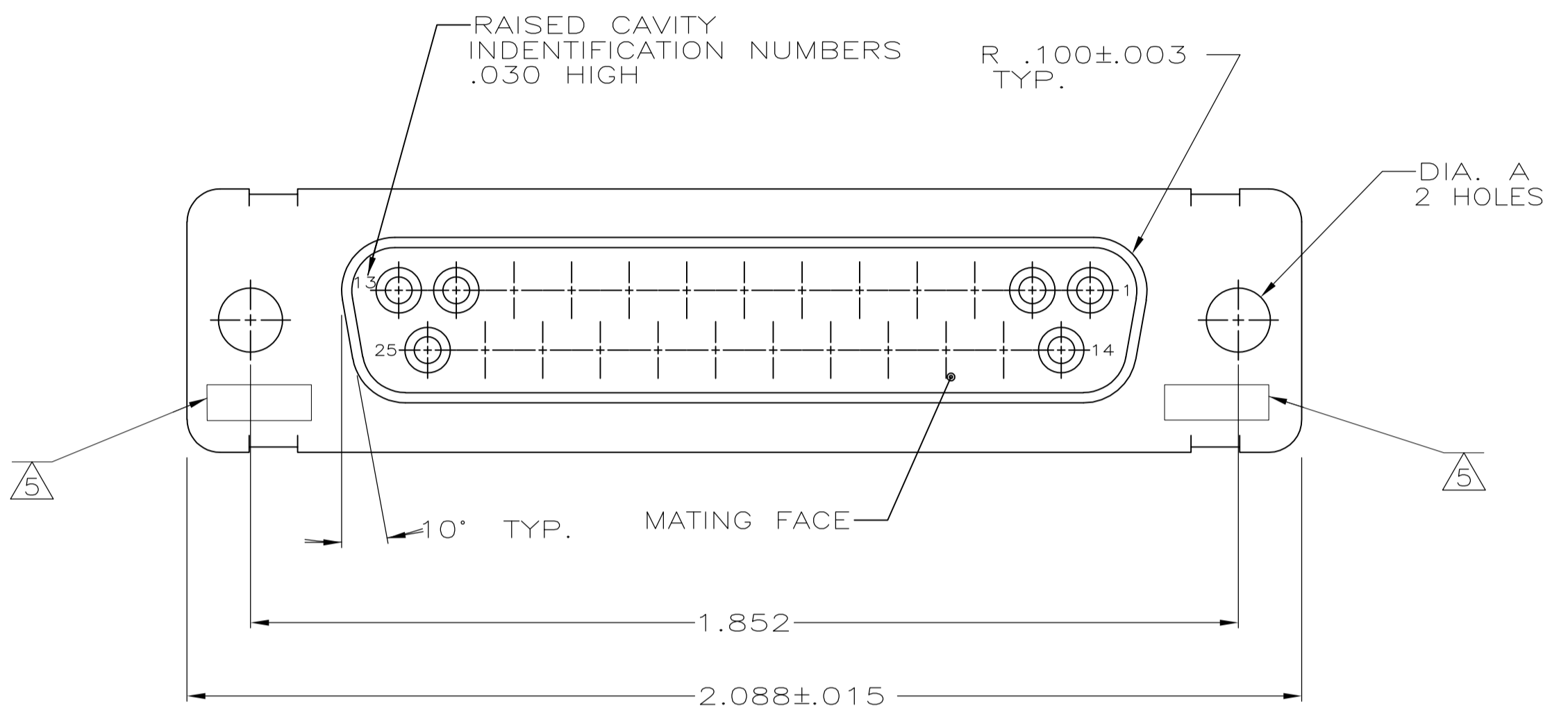
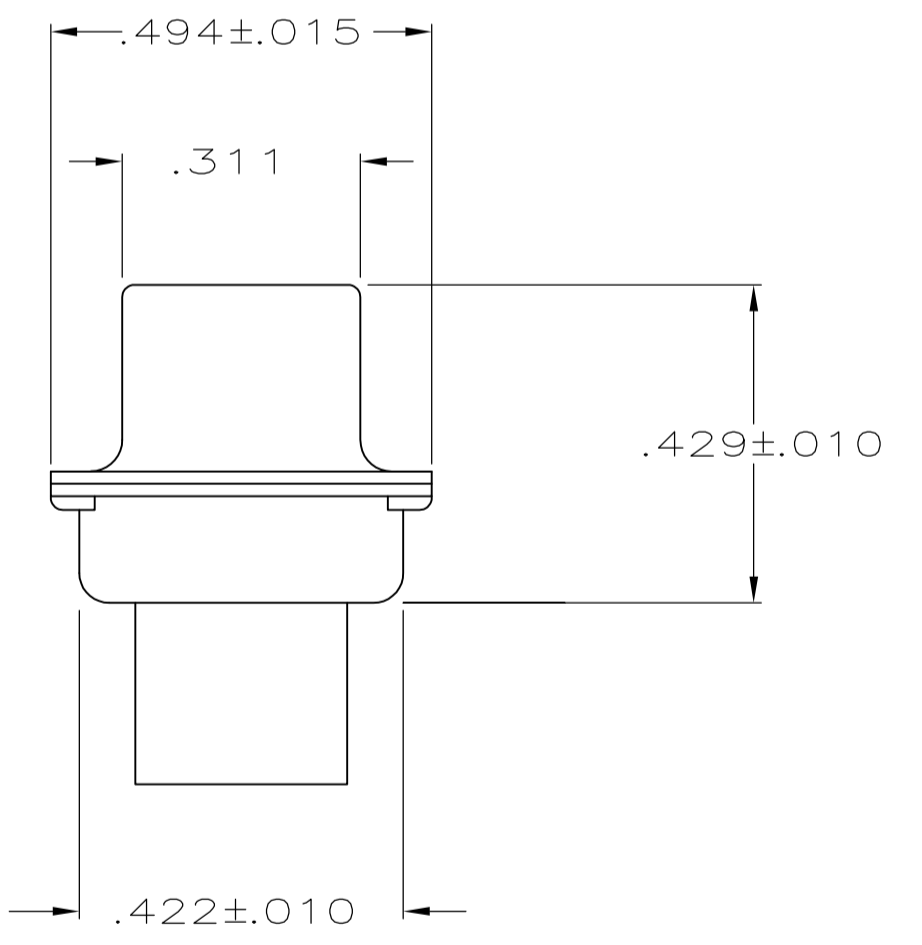
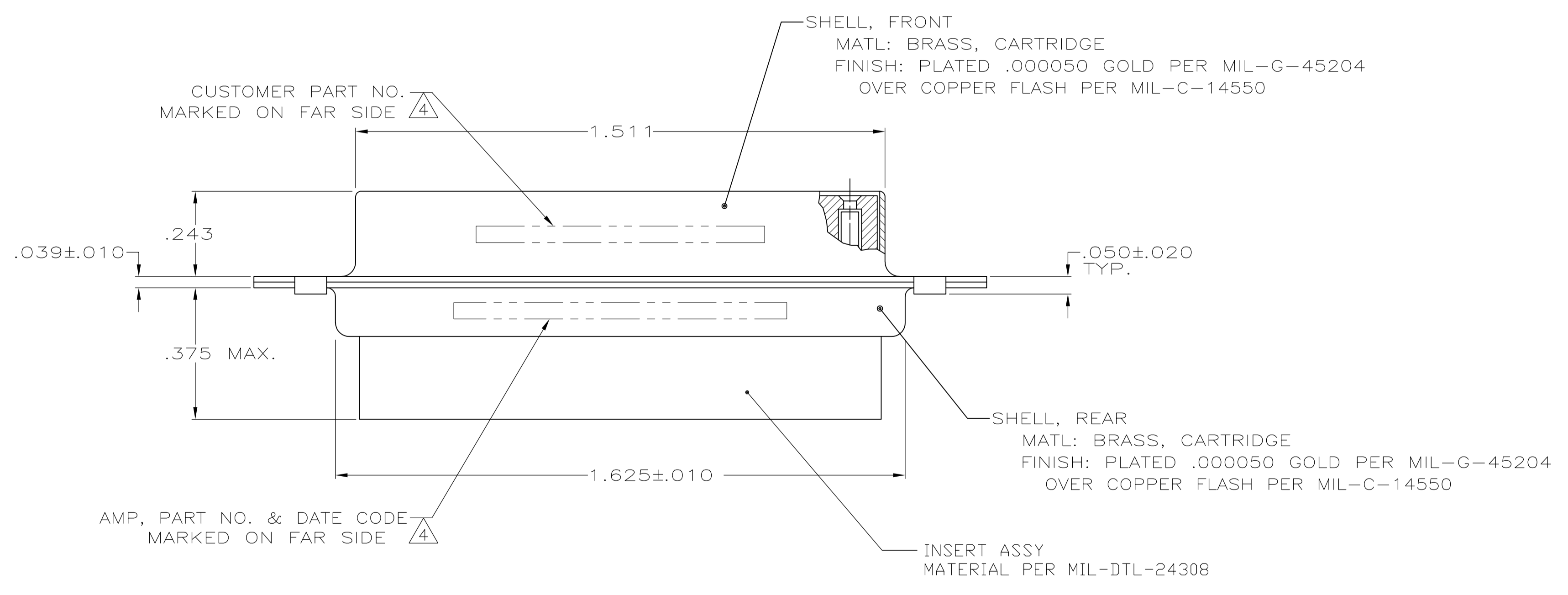


| LOC | | DIST | | REVISIONS | | | |
|-----|-----|-----------------------|---------|-----------|------|--|--|
| P | LTR | DESCRIPTION | DATE | DMN | APVD | | |
| P | | REV PER ECO 15-005916 | 5-29-15 | CT | DM | | |



1. THIS RECEPTACLE WILL MATE WITH ANY PLUG CONNECTOR WITH THE SAME INSERT ARRANGEMENT AS DEFINED BY MS18275-1.
 2. MAXIMUM WIRE INSULATION USED WITH THIS RCPT. IS .072 DIA. MAX.
 3. Be-Cu RETENTION CLIPS ARE INCLUDED IN INSERTS.
- ⚠️ 4. FAR SIDE REFERS TO WIDE SIDE OF KEYSTONE.
 - ⚠️ 5. UL/CSA DESIGNATION STAMPED IN THIS AREA, OPTIONAL
 - ⚠️ 6. THESE CONNECTORS ARE QUALIFIED TO GODDARD SPACE FLIGHT CENTER SPECIFICATION S-311-P-4.
 - ⚠️ 7. CONNECTOR SUPPLIED WITH CONTACTS, AMP PART NUMBER 206793-1; (NOT INSTALLED).



| | | | | |
|----------|-------|-------------------|------------------|----------|
| OBSOLETE | ⚠️ | .120 | LMSC 1621480-003 | 206801-8 |
| | | .120 | LMSC 1621480-003 | 206801-7 |
| | | .120 | 2A014-008V-001 | 206801-4 |
| | | .154 | | 206801-3 |
| | ⚠️ | .120 | 311P409-3S-B-12 | 206801-2 |
| | ⚠️ | .154 | 311P409-3S-B-15 | 206801-1 |
| REMARKS | DIA A | MARK CUSTOMER P/N | | AMP P/N |

THIS DRAWING IS A CONTROLLED DOCUMENT.

DIMENSIONS: INCHES
 TOLERANCES UNLESS OTHERWISE SPECIFIED:
 0. PLC ± -
 1. PLC ± -
 2. PLC ± -
 3. PLC ± .005
 4. PLC ANGLES ± -

MATERIAL: SEE CALLOUTS
 FINISH: SEE CALLOUTS

THIS DRAWING IS A CONTROLLED DOCUMENT.
 DWG: M. CLOUSER 1-3-89
 CHK: T. CANTLIN 1-24-89
 APVD:

STE TE Connectivity
 NAME: RECEPTACLE FOR SOCKET CONTACTS,
 PRODUCT SPEC: SIZE #3, 25 POS. (NON-MAGNETIC)
 APPLICATION SPEC:

SIZE: A1
 CAGE CODE: 00779
 DRAWING NO: 206801
 CUSTOMER DRAWING

WEIGHT: -
 SCALE: 4:1
 SHEET: 1 OF 1
 REV: P