

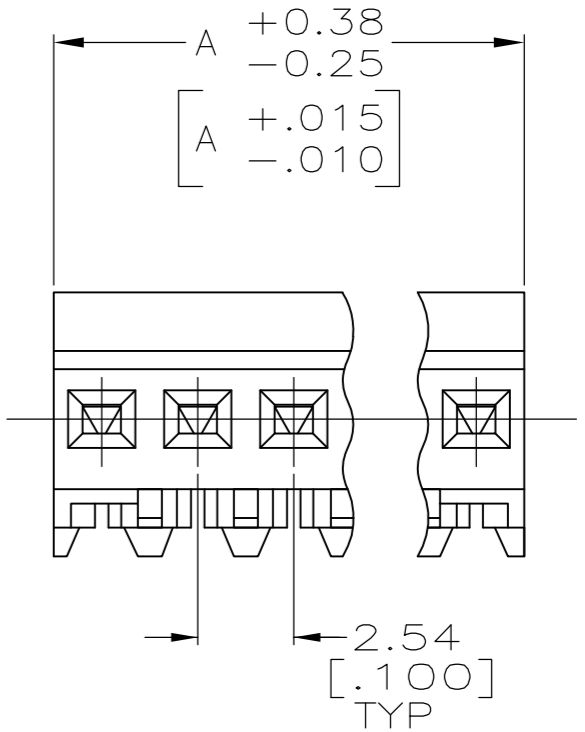
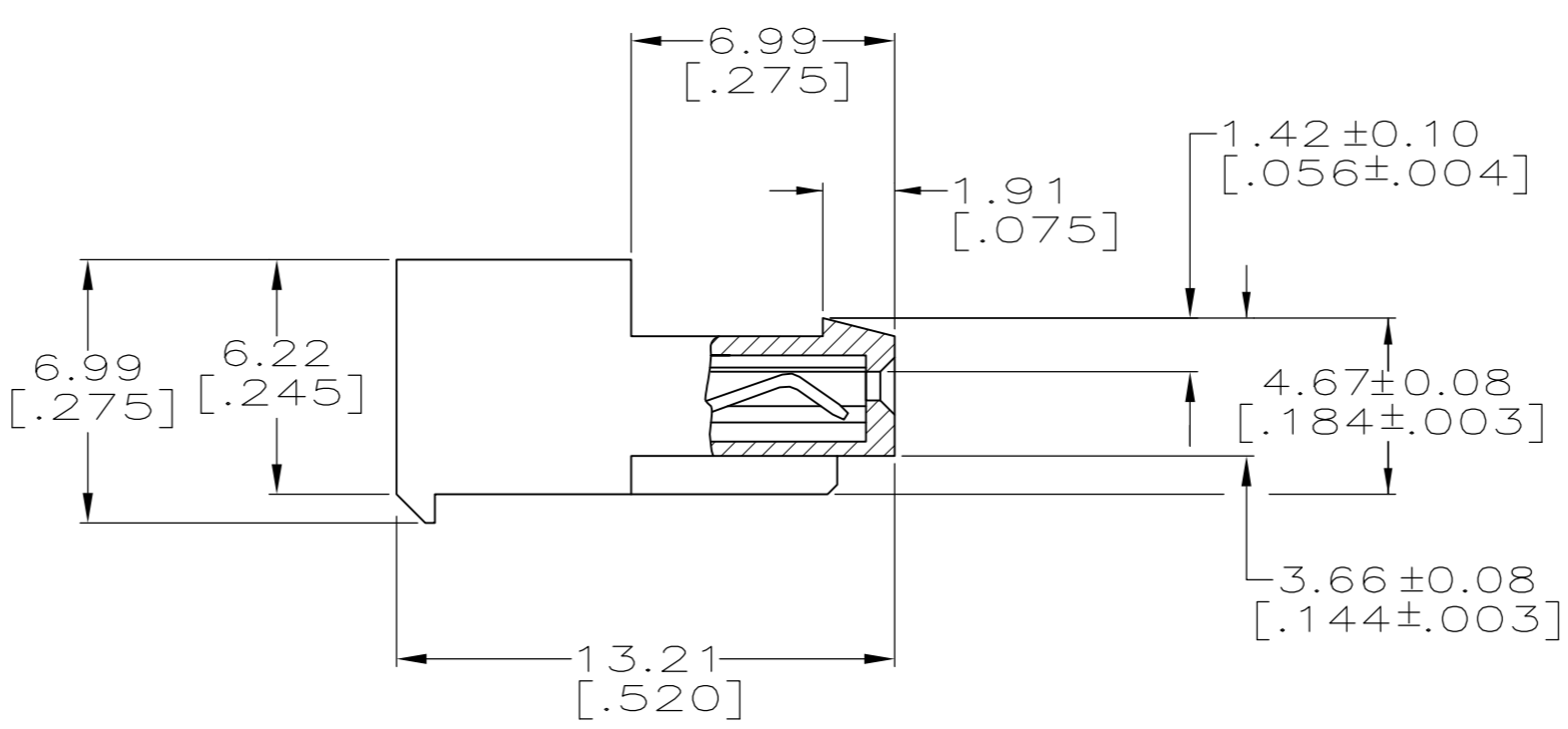
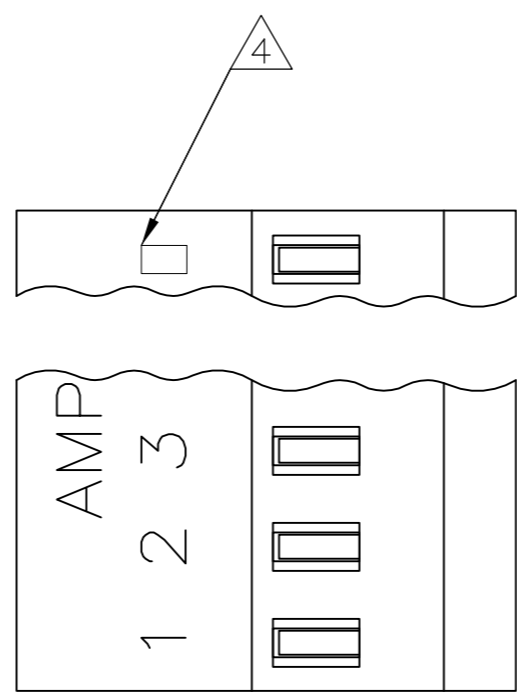
THIS DRAWING IS UNPUBLISHED. RELEASED FOR PUBLICATION
 © COPYRIGHT - By - ALL RIGHTS RESERVED.

LOC		DIST		REVISIONS					
CM		00		P	LTR	DESCRIPTION	DATE	DWN	APVD
				W2		REVISED PER ECR-15-006702	28JUL2015	NK	PQ

- 1 MATERIAL: CONNECTOR - NYLON UL94V-2 (GREEN).
 CONTACTS - 0.30[.012] THICK COPPER ALLOY
 BRIGHT TIN-LEAD .00203[.000080] MIN THICKNESS
 FOR 640443-2 THRU 2-640443-8.
 MATTE WHISKER MITIGATED TIN .00203[.000080] MIN THICKNESS OVER
 NICKEL UNDERPLATE FOR 3-640443-2 THRU 5-640443-8.
- 2 CONTACTS ACCEPT 28 AWG WIRE WITH 1.52[.060] MAX
 INSULATION DIAMETER.
- 3 CONTACTS MUST ACCEPT 0.64±0.03[.025±.001]
 POST AND REMAIN LOCKED IN POSITION.
- 4 IDENTIFICATION NUMBER FOR LAST CIRCUIT MAY
 NOT APPEAR ON ALL ASSEMBLIES.
- 5 DIMENSIONS IN BRACKETS ARE IN INCHES.
- 6 HOUSING FEATURES ARE: CLOSED END WITH LOCKING RAMP
- 7 OBSOLETE PARTS: OBSOLETE CIS STREAMLINING PER D.RENAUD/D.SINISI

YES	71.12[2.800]	28	5-640443-8
YES	68.58[2.700]	27	5-640443-7
YES	66.04[2.600]	26	5-640443-6
YES	63.50[2.500]	25	5-640443-5
YES	60.96[2.400]	24	5-640443-4
YES	58.42[2.300]	23	5-640443-3
YES	55.88[2.200]	22	5-640443-2
YES	53.34[2.100]	21	5-640443-1
YES	50.80[2.000]	20	5-640443-0
YES	48.26[1.900]	19	4-640443-9
YES	45.72[1.800]	18	4-640443-8
YES	43.18[1.700]	17	4-640443-7
YES	40.64[1.600]	16	4-640443-6
YES	38.10[1.500]	15	4-640443-5
YES	35.56[1.400]	14	4-640443-4
YES	33.02[1.300]	13	4-640443-3
YES	30.48[1.200]	12	4-640443-2
YES	27.94[1.100]	11	4-640443-1
YES	25.40[1.000]	10	4-640443-0
YES	22.86[.900]	9	3-640443-9
YES	20.32[.800]	8	3-640443-8
YES	17.78[.700]	7	3-640443-7
YES	15.24[.600]	6	3-640443-6
YES	12.70[.500]	5	3-640443-5
YES	10.16[.400]	4	3-640443-4
YES	7.62[.300]	3	3-640443-3
YES	5.08[.200]	2	3-640443-2
NO	71.12[2.800]	28	2-640443-8
NO	68.58[2.700]	27	2-640443-7
NO	66.04[2.600]	26	2-640443-6
NO	63.50[2.500]	25	2-640443-5
NO	60.96[2.400]	24	2-640443-4
NO	58.42[2.300]	23	2-640443-3
NO	55.88[2.200]	22	2-640443-2
NO	53.34[2.100]	21	2-640443-1
NO	50.80[2.000]	20	2-640443-0
NO	48.26[1.900]	19	1-640443-9
NO	45.72[1.800]	18	1-640443-8
NO	43.18[1.700]	17	1-640443-7
NO	40.64[1.600]	16	1-640443-6
NO	38.10[1.500]	15	1-640443-5
NO	35.56[1.400]	14	1-640443-4
NO	33.02[1.300]	13	1-640443-3
NO	30.48[1.200]	12	1-640443-2
NO	27.94[1.100]	11	1-640443-1
NO	25.40[1.000]	10	1-640443-0
NO	22.86[.900]	9	640443-9
NO	20.32[.800]	8	640443-8
NO	17.78[.700]	7	640443-7
NO	15.24[.600]	6	640443-6
NO	12.70[.500]	5	640443-5
NO	10.16[.400]	4	640443-4
NO	7.62[.300]	3	640443-3
NO	5.08[.200]	2	640443-2
LEADFREE	DIM A	NO. OF CIRCUITS	PART NO.

SUPERCEDED BY 5-640443-8
 SUPERCEDED BY 5-640443-7
 SUPERCEDED BY 5-640443-6
 SUPERCEDED BY 5-640443-5
 SUPERCEDED BY 5-640443-4
 SUPERCEDED BY 5-640443-3
 SUPERCEDED BY 5-640443-2
 SUPERCEDED BY 5-640443-1
 SUPERCEDED BY 5-640443-0
 SUPERCEDED BY 4-640443-9
 SUPERCEDED BY 4-640443-7
 OBSOLETE



THIS DRAWING IS A CONTROLLED DOCUMENT.

DIMENSIONS: mm [INCHES]	TOLERANCES UNLESS OTHERWISE SPECIFIED:	DWN S. CARPENTER 11JUN2003	
	0 PLC ±	CHK D. BOSSI 11JUN2003	
	1 PLC ±	APVD D. BOSSI 11JUN2003	
	2 PLC ±	PRODUCT SPEC	
	3 PLC ± 0.13 [.005]	NAME	MTA-100 CONNECTOR ASSEMBLY, 28 AWG, STANDARD
	4 PLC ±	SIZE	A2
	ANGLES ±	CAGE CODE	00779
	FINISH	DRAWING NO	C=640443
MATERIAL	FINISH	RESTRICTED TO	-
		SCALE	5:1
		SHEET	1 of 1
		REV	W2

CUSTOMER DRAWING