

MICRO SWITCH

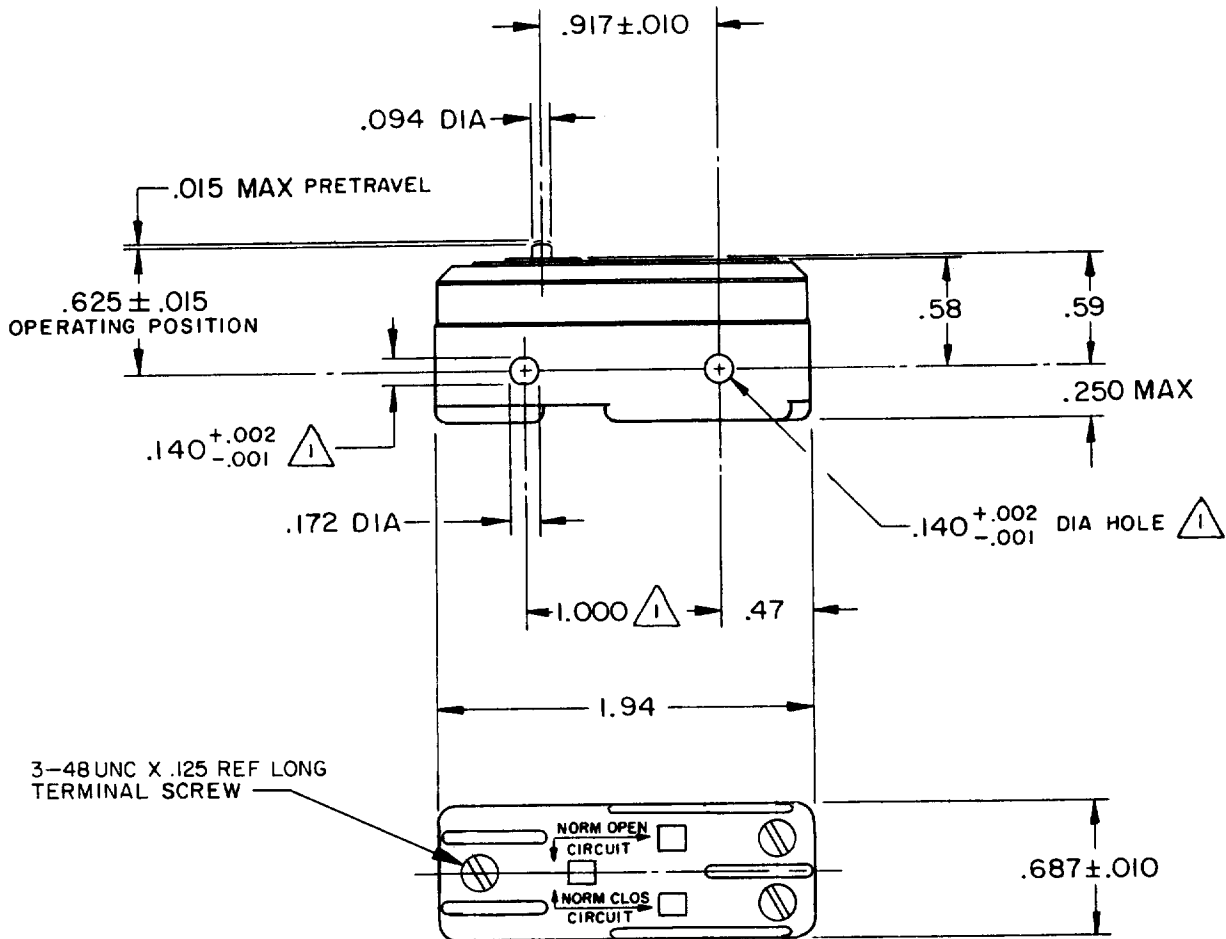
FREEMONT ILLINOIS, U.S.A
A DIVISION OF HONEYWELL
FED. MFG. CODE 91929


SWITCH-BASIC

CATALOG LISTING

BZ-2R258

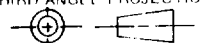
AGR9025



NOTE
 MOUNTING HOLES WILL ACCEPT PINS OR SCREWS
 OF $.139$ MAX DIA ON $1.000 \pm .002$ CENTERS

THIS DRAWING COVERS A PROPRIETARY ITEM AND IS THE PROPERTY OF MICRO SWITCH, A DIVISION OF HONEYWELL. THIS DRAWING IS NOT TO BE COPIED OR USED WITHOUT THE APPROVAL OF MICRO SWITCH.

THIRD ANGLE PROJECTION



CHARACTERISTICS


OPERATING FORCE ----- 9-13 OZ
 RELEASE FORCE ----- 4 OZ MIN
 DIFFERENTIAL TRAVEL ---.0004-.0020
 OVERTRAVEL ----- .005 MIN

ELECTRICAL DATA

CONTACT ARRANGEMENT
S P D T

15A-125, 250 OR 480 VAC, 2A-600 VAC
 1/8HP-125 VAC; 1/4HP-250 VAC
 CODE L74 1/2A-125 VDC; 1/4A-250 VDC

L288
 L315
 L306

16A 250V  T85 5E4

SCALE FULL

DO NOT SCALE PRINT

TOLERANCES
 APPLY TO DESIGN UNITS. CONVERSIONS ARE ONLY FOR
 REFERENCE. UNLESS NOTED, TOLERANCES ARE \pm

	DIM.		TOL.	
	mm	mm/in	mm	mm/in
NO PLACES	X	1/04	X X	0.8/03
ONE PLACE	X,X	0.4/016	X X X	0.38/015
TWO PLACES	X,X,X	0.15/006	X X X X	0.13/005
THREE PLACES	X,X,X,X		X X X X X	
ANGLES				

DESIGN UNITS SI METRIC US CUSTOMARY

WEIGHT .050 LB

BZ-2R258
PAGE 1 OF 1

M

DRAWING NUMBER

ISSUE

6

VISIONS

A CO-58037
SMA
1 OCT 85

B CO-77591
DAW
22 JUN 94

C C093346
DLT
1 SEP 98

D CO-94212-C
DLT
14 SEP 99

E 0018448
DVM
17 FEB 06

J A P 16 MAR 80

C E B

8 MAR 80

80

CHECK

80

MAR

FORMTEK

FO-52848-A

DRAWN

REPLACES X70641-BZ
 RELEASE NO. PR-8523
 CHECK
 17 FEB 06
 RJ
 CHECK
 8 MAR 80
 CHECK
 80