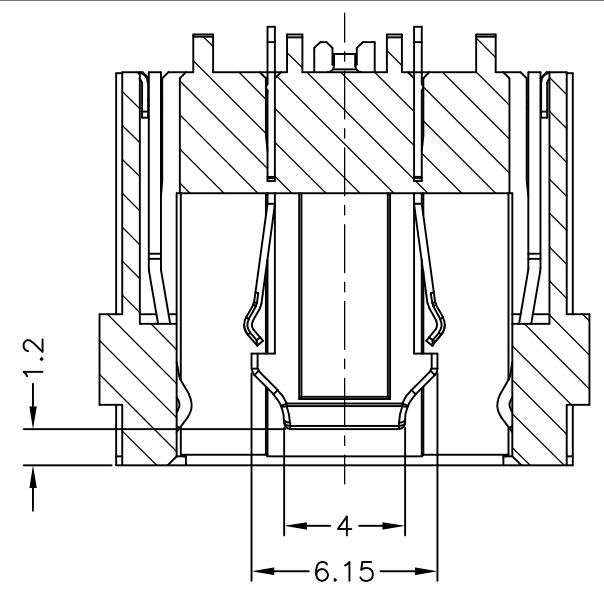
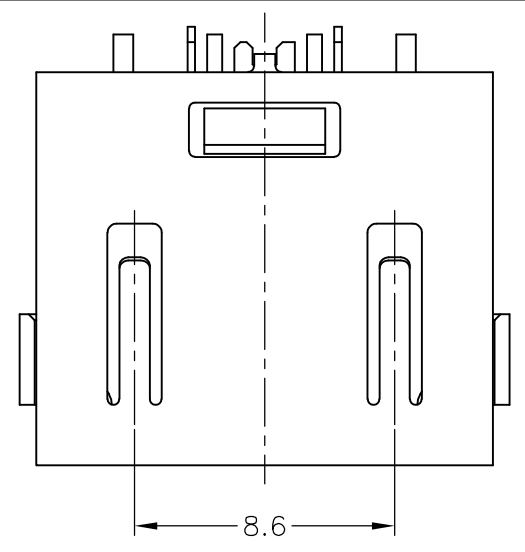
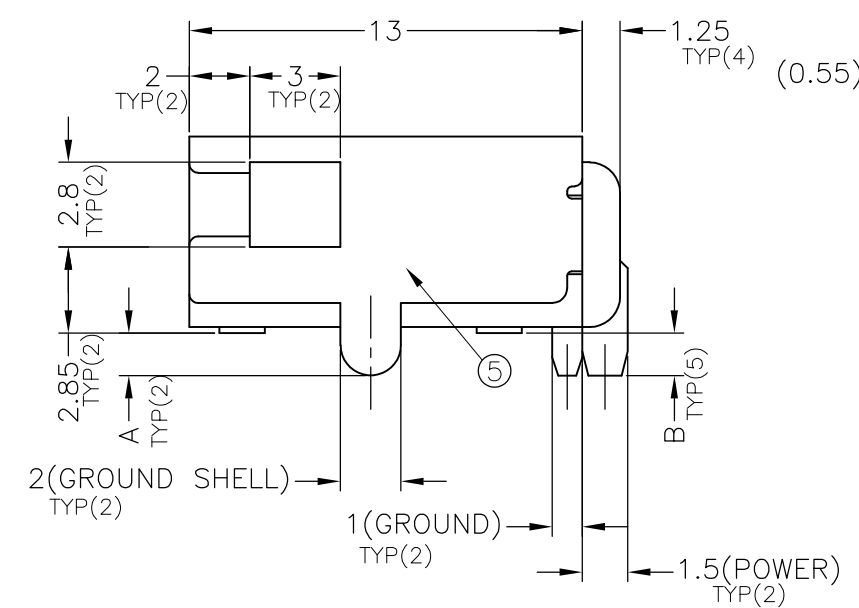
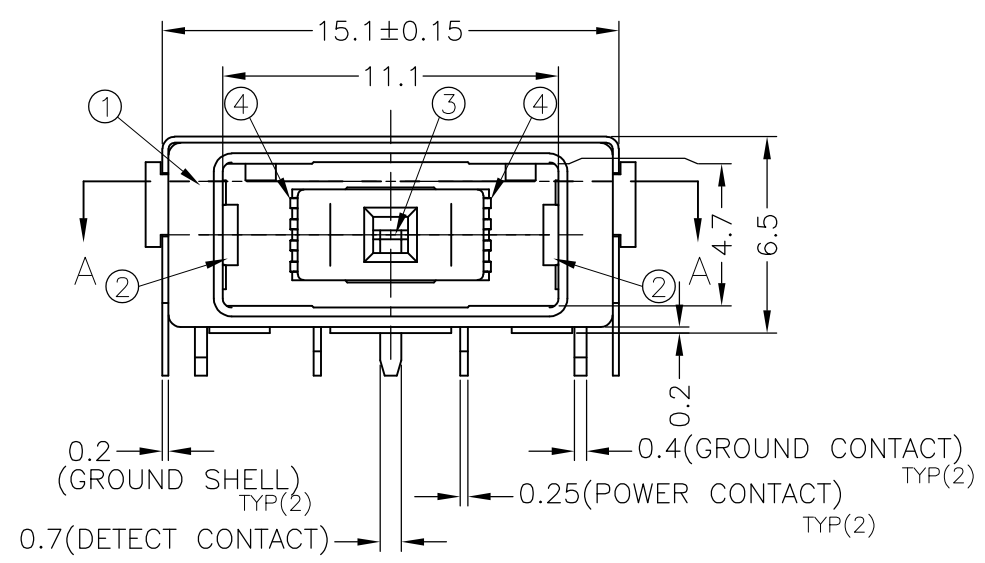


THIS DRAWING IS UNPUBLISHED. RELEASED FOR PUBLICATION
 © COPYRIGHT - By - ALL RIGHTS RESERVED.

LOC	DIST	REVISIONS			
P	LTR	DESCRIPTION	DATE	DWN	APVD
DW	/	B5	REVISED (ECR-15-000347)	16DEC14	S.H V.P

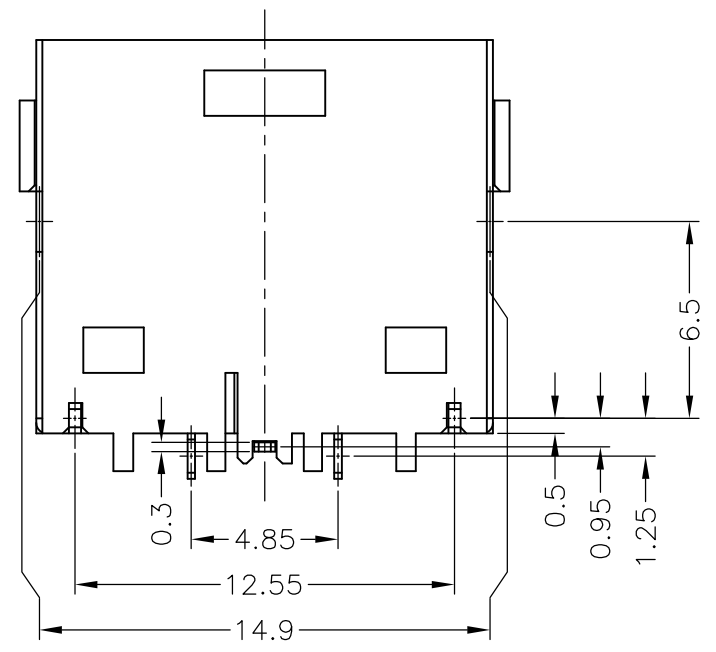


- EU ROHS-RELATED RESTRICTED SUBSTANCE SPEC IN HOMOGENEOUS MATERIAL REFER TO TEC-138-702 REV.G:
 LEAD < 1000PPM, CADMIUM < 100PPM, MERCURY < 1000PPM
 CHROMIUM VI < 1000PPM, PBB <1000PPM, PBDE < 1000PPM
- HALOGEN FREE SPEC:
 CHLORINE (Cl): 900 ppm MAX.
 BROMINE (Br): 900 ppm MAX.
 CHLORINE (Cl) + BROMINE (Br): 1500 ppm MAX.


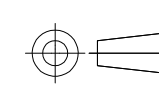


A'SSY P/N					
	2-2129345-1	1-2129345-2	1-2129345-1	2129345-2	2129345-1
DIM B	1.2	1.2	1.4	1.2	1.4
DIM A	1.2	1.2	1.4	1.2	1.4

Q'TY	FINISH/COLOR	MATERIAL	PART NAME	NO.
1	0.002mm MATTE TIN PLATING ON SOLDER AREA, 0.00127mm MIN. NICKEL UNDERPLATED ALL OVER	COPPER ALLOY	GROUND SHELL	⑤
2	0.0002mm GOLD PLATING ON CONTACT AREA, 0.002mm MATTE TIN PLATING ON SOLDER AREA, 0.002mm MIN. NICKEL UNDERPLATED ALL OVER	COPPER ALLOY	POWER CONTACT	④
1	0.0002mm GOLD PLATING ON CONTACT AREA, 0.002mm MATTE TIN PLATING ON SOLDER AREA, 0.002mm MIN. NICKEL UNDERPLATED ALL OVER	COPPER ALLOY	DETECT CONTACT	③
2	0.0002mm GOLD PLATING ON CONTACT AREA, 0.002mm MATTE TIN PLATING ON SOLDER AREA, 0.002mm MIN. NICKEL UNDERPLATED ALL OVER	COPPER ALLOY	GROUND CONTACT	②
1	BLACK	HIGH TEMPERATURE THERMO-PLASTIC (UL94V-0)	HOUSING	①
1	YELLOW			

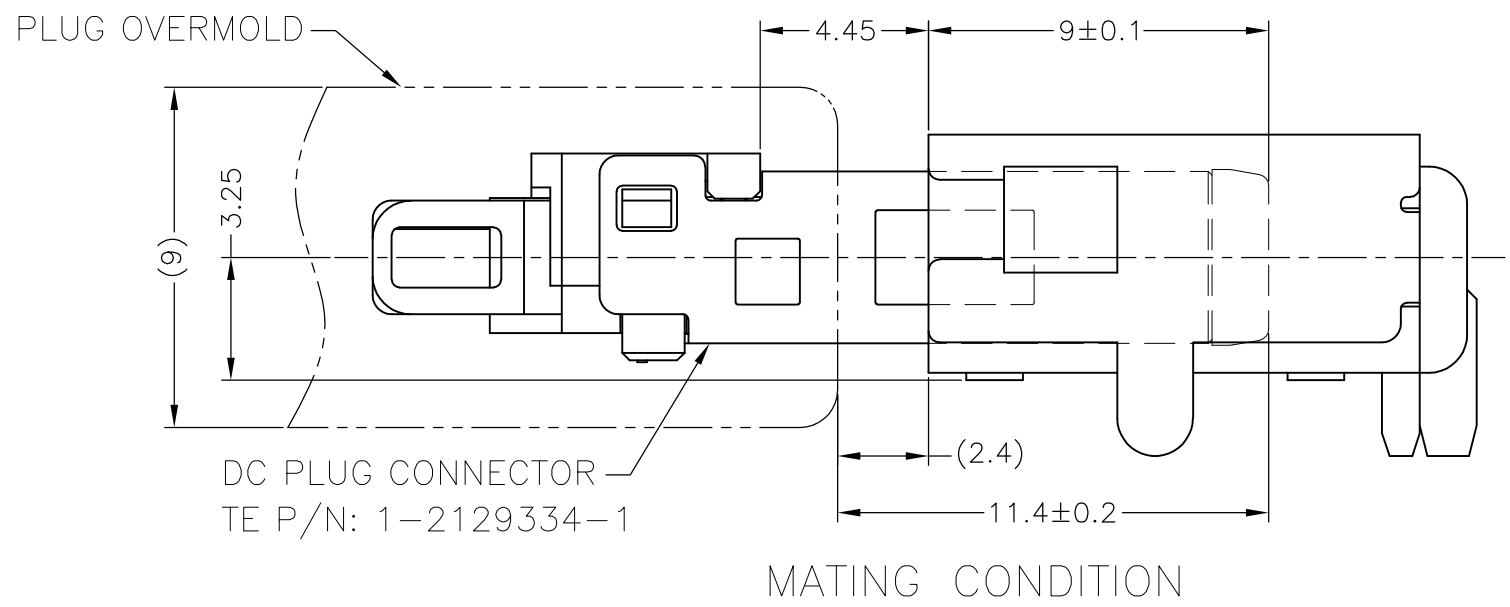
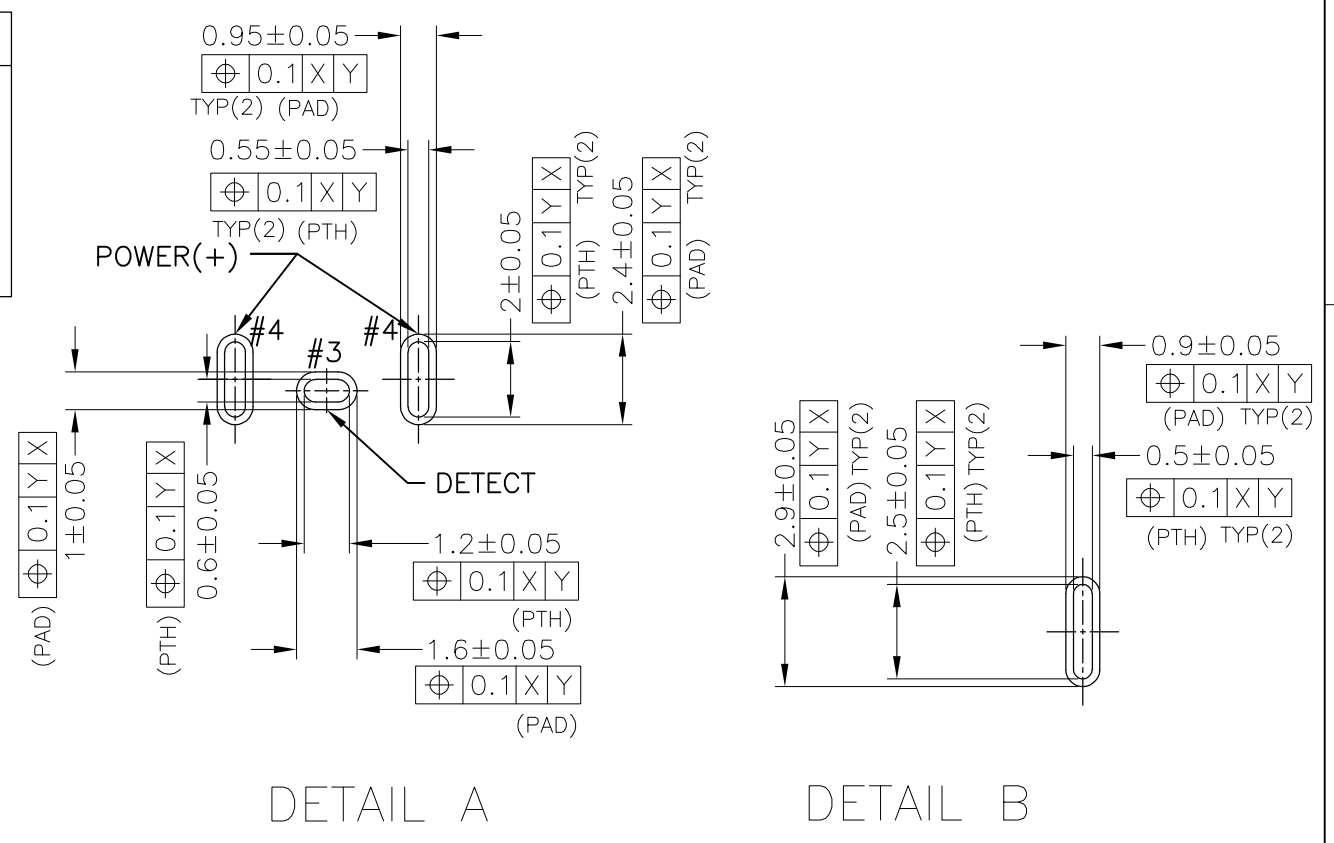
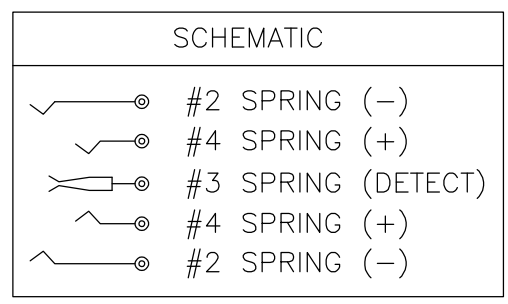
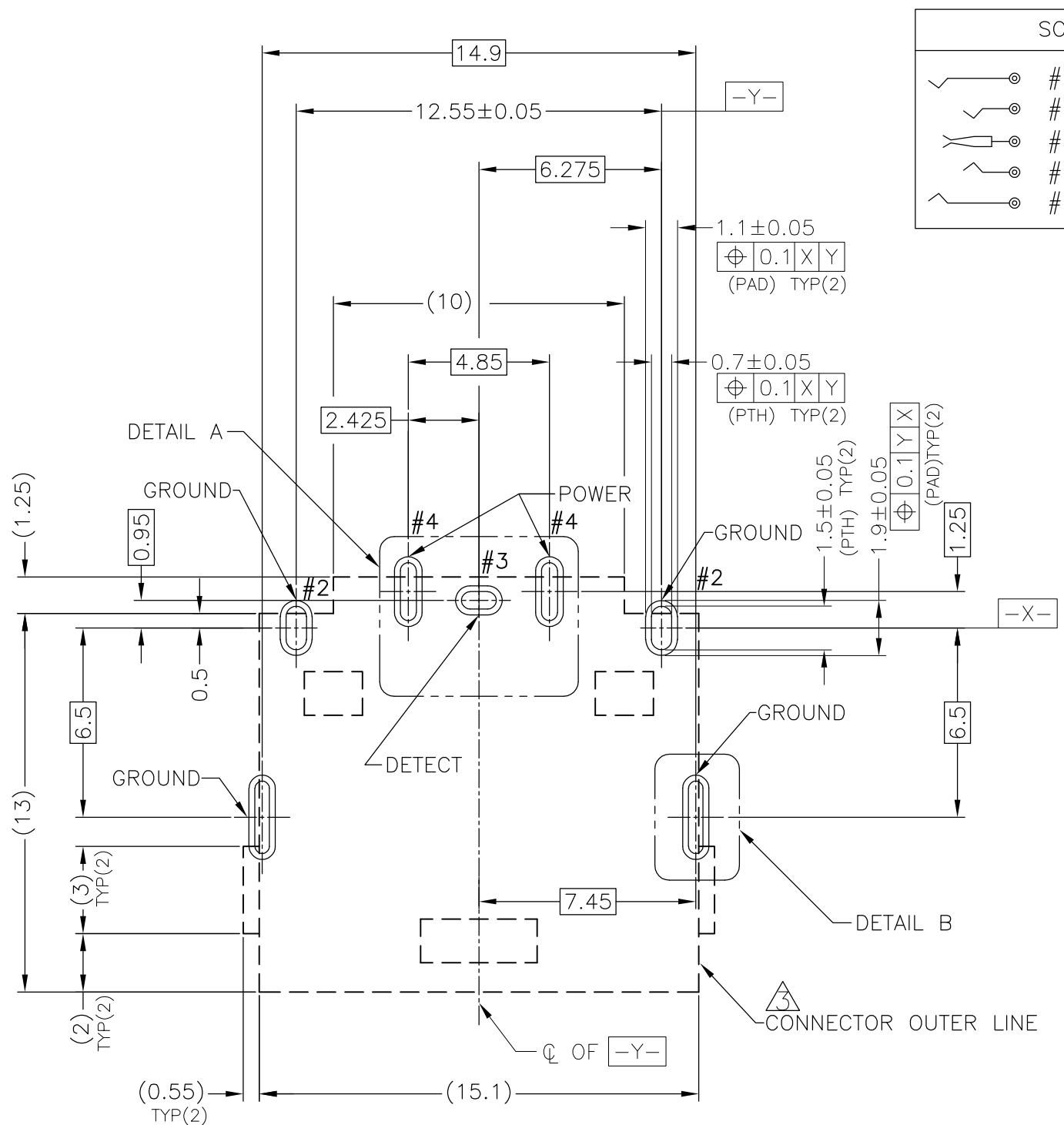


THIS DRAWING IS A CONTROLLED DOCUMENT.

DIMENSIONS: mm	TOLERANCES UNLESS OTHERWISE SPECIFIED:	DWN S.HUANG 24FEB12	 TE Connectivity DC POWER JACK CONNECTOR DIP TYPE
	0 PLC ± -	CHK V.PENG 24FEB12	
	1 PLC ± - ±0.25	APVD W.KODAMA 24FEB12	
	2 PLC ± - ±3°	NAME	
MATERIAL SEE TABLE	FINISH	PRODUCT SPEC 108-99035	SIZE A3
		APPLICATION SPEC 501-99040	CAGE CODE 00779
		WEIGHT	DRAWING NO C-2129345
		CUSTOMER DRAWING	RESTRICTED TO
			SCALE 4:1
			SHEET 1 OF 3
			REV B5

THIS DRAWING IS UNPUBLISHED. RELEASED FOR PUBLICATION
 © COPYRIGHT - By - ALL RIGHTS RESERVED.

LOC	DIST	REVISIONS			
P	LTR	DESCRIPTION	DATE	DWN	APVD
DW	/	SEE SHEET 1	-	-	-



RECOMMENDED P.C.BOARD PATTERN LAYOUT (TOP VIEW)
 TOLERANCE:±0.05 (THICKNESS=0.8mm)

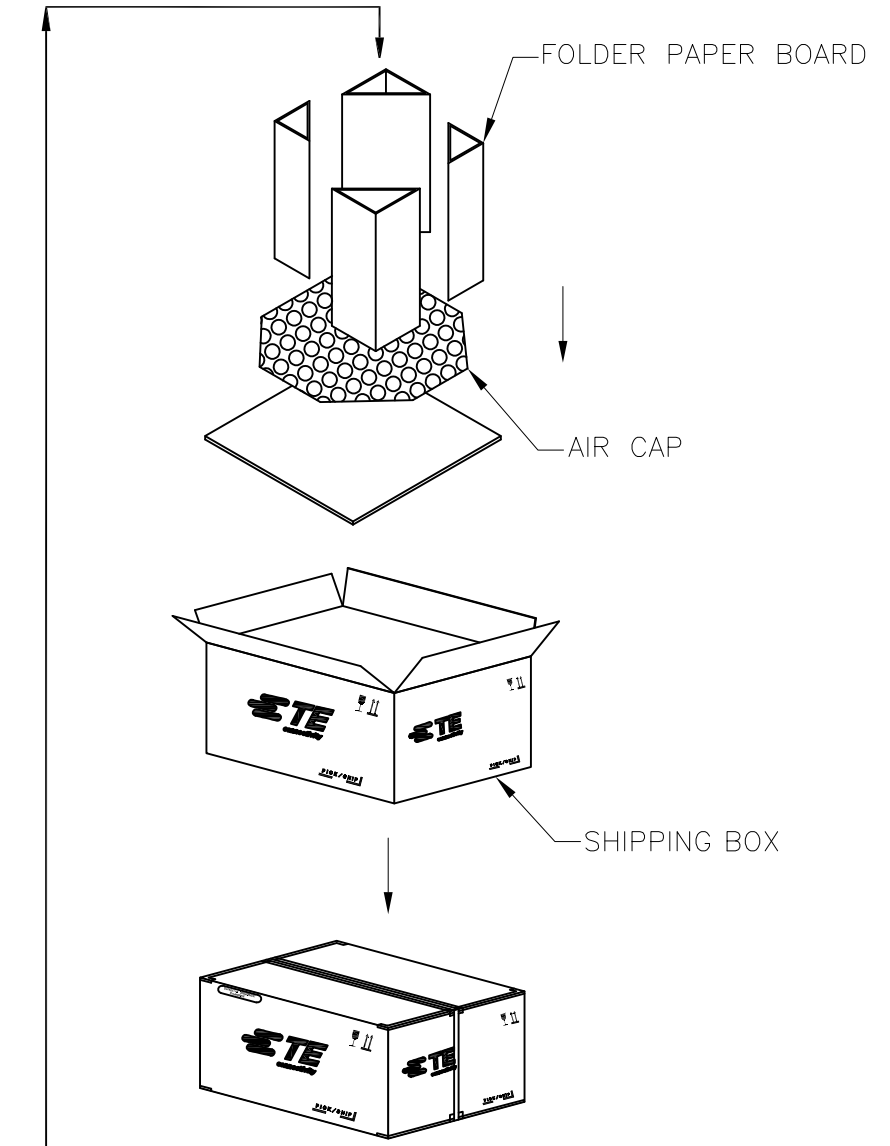
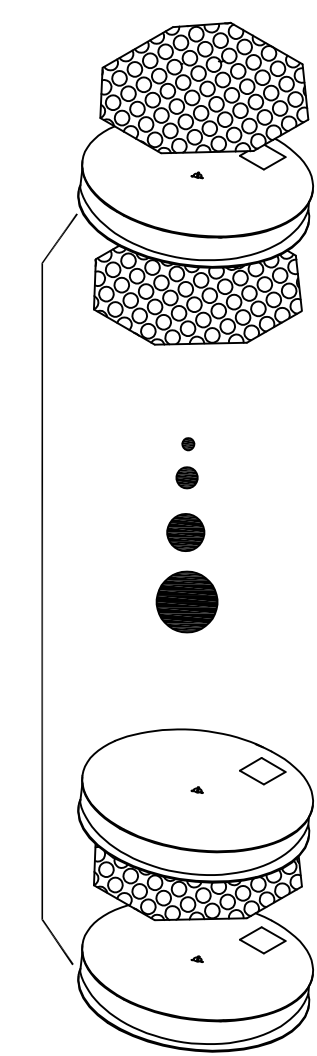
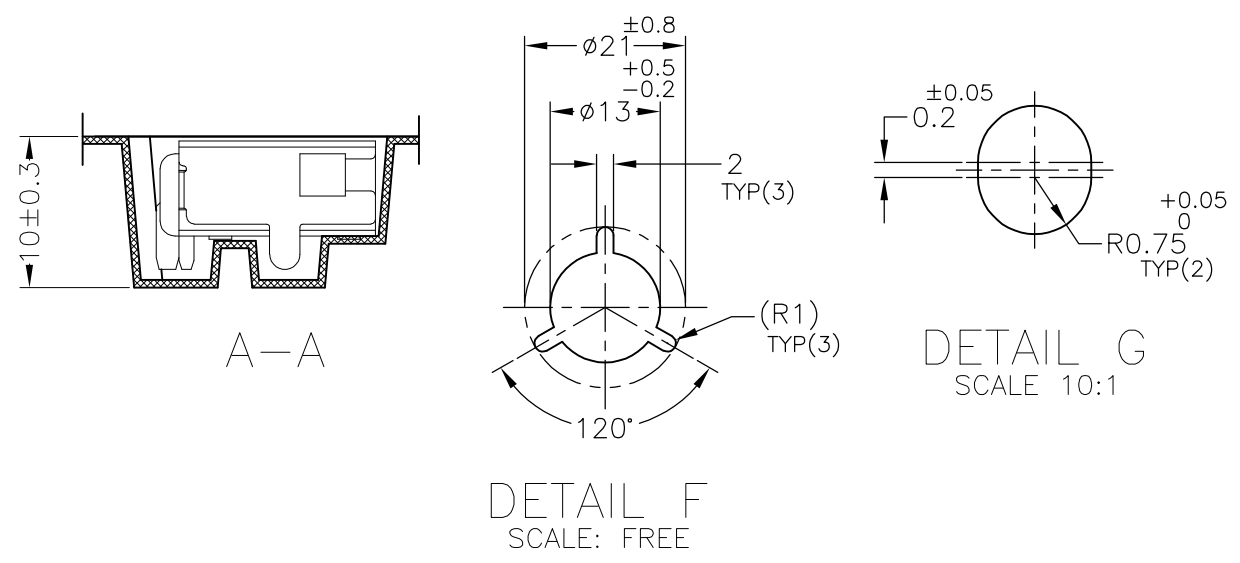
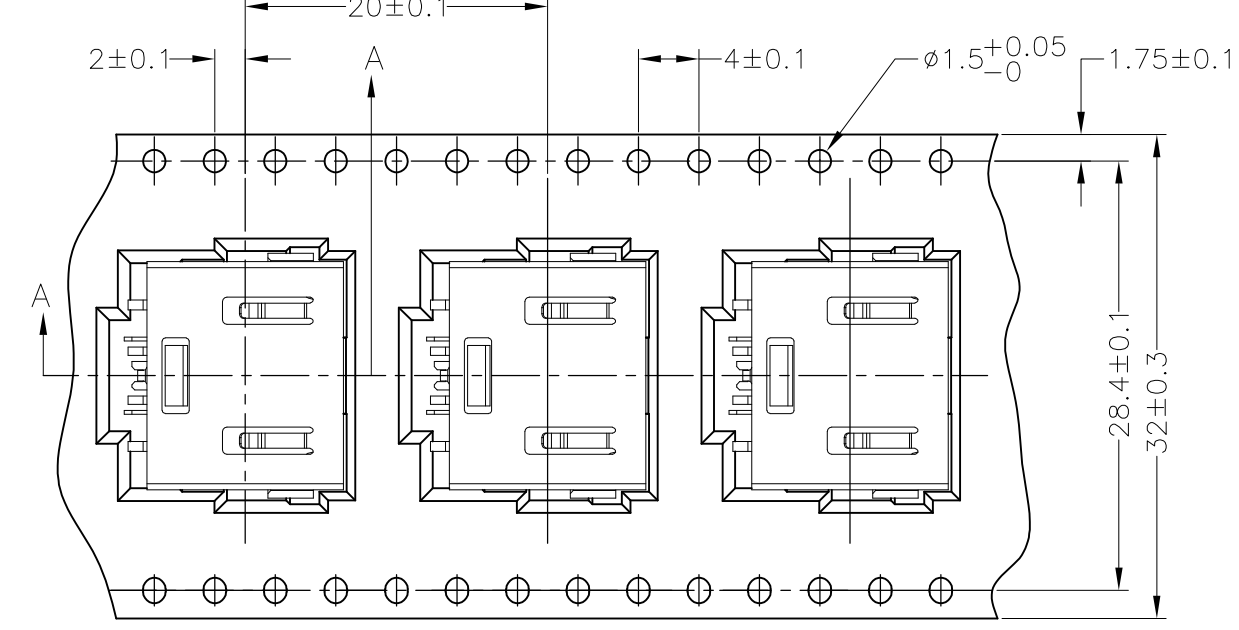
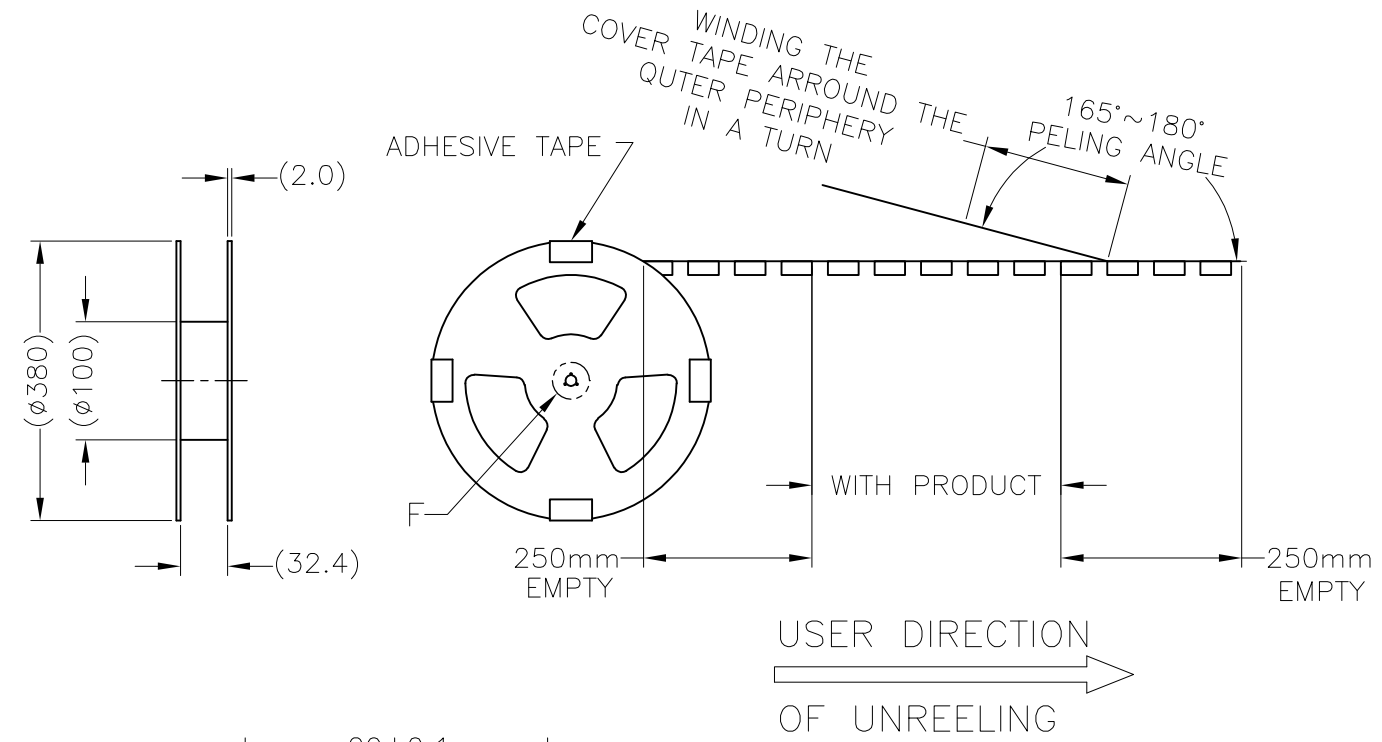
[] : CONNECTOR OUTER LINE (NO COMPONENT AREA)

THIS DRAWING IS A CONTROLLED DOCUMENT.		DWN		TE Connectivity NAME DC POWER JACK CONNECTOR DIP TYPE	
DIMENSIONS: mm		CHK			
TOLERANCES UNLESS OTHERWISE SPECIFIED:		APVD		PRODUCT SPEC	
0-PLC ± -		APVD		APPLICATION SPEC	
1-PLC ± -		APVD		WEIGHT	
2-PLC ± - ±0.25		APVD		SIZE	
3-PLC ± - ±3°		APVD		CAGE CODE	
4-PLC ± -		APVD		DRAWING NO	
ANGLES ± -		APVD		RESTRICTED TO	
FINISH		APVD		A300779	
MATERIAL		APVD		C-2129345	
		APVD		SCALE 5:1	
		APVD		SHEET 2 OF 3	
		APVD		REV B5	

THIS DRAWING IS UNPUBLISHED. RELEASED FOR PUBLICATION
 © COPYRIGHT - By - ALL RIGHTS RESERVED.

LOC	DIST	REVISIONS			
P	LTR	DESCRIPTION	DATE	DWN	APVD
DW	/	SEE SHEET 1	-	-	-

4. SHIPPING BOX DIMENSION: 445mmX445mmX270mm



450	5	2250
PCS/REEL	REEL/SHIPPING BOX	TOTAL Q'TY

THIS DRAWING IS A CONTROLLED DOCUMENT.		DWN		
DIMENSIONS: mm		CHK		
TOLERANCES UNLESS OTHERWISE SPECIFIED:		APVD		
0 PLC ± -		PRODUCT SPEC		
1 PLC ± -		APPLICATION SPEC		
2 PLC ± - ±0.25		WEIGHT		
3 PLC ± - ±3°		NAME		
4 PLC ± -		DC POWER JACK CONNECTOR DIP TYPE		
ANGLES ± -		SIZE	CAGE CODE	DRAWING NO
FINISH		A3	00779	C-2129345
MATERIAL		RESTRICTED TO		
CUSTOMER DRAWING		SCALE	SHEET	REV
		NA	3 OF 3	B5