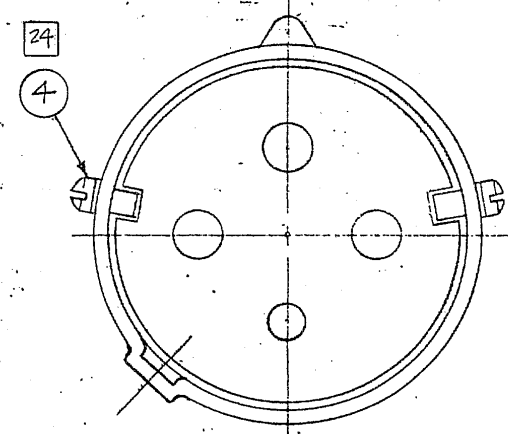
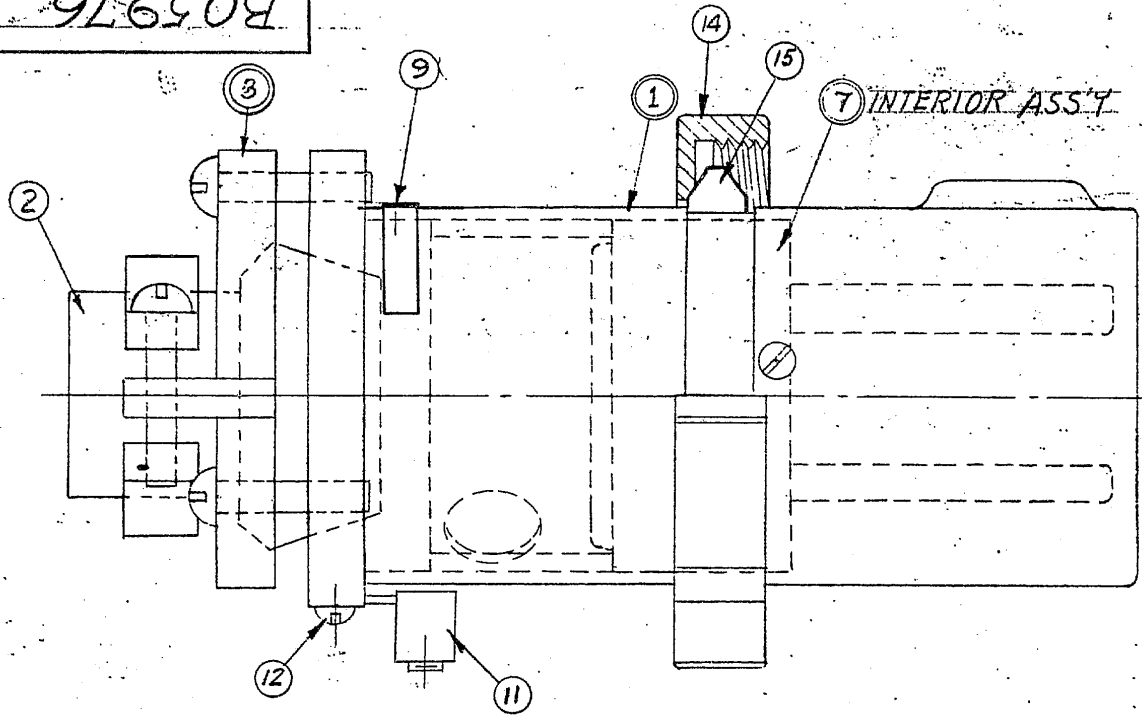


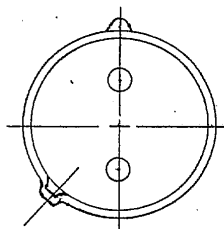
B05976

FOR FB TYPE PLUG F20900

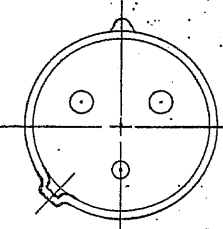
USED ON
F22972
F24515



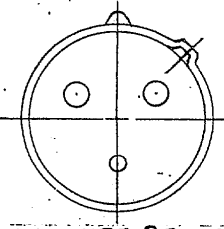
3 WIRE 4 POLE



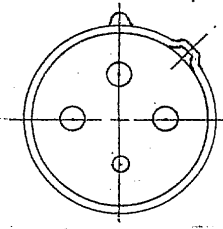
2 WIRE 2 POLE



2 WIRE 3 POLE



3 WIRE 3 POLE



4 WIRE 4 POLE

ITEMS 11 & 12 USED ON 3W-3P & 4W-4P ONLY
 CAT NO. 3327W-78 ²³ 3328W-78 NON-WATERPROOF.
 USED ON ASC SERIES ONLY
 ITEM 16 USED ON CAT. NO. F17721 & F17571
 -WHEN REVERSE SERVICE IS REQUIRED REMOVE "-78" ²³
 FROM CAT. NO. AND ADD "R". ALSO ADD "R" TO THE PART NO.
 -ADD 2 ND SUFFIX "C" WHEN "JG 65" BUSHING IS USED ²³

| | | | | | |
|---------|----------|---------------|--------|----------------|----------|
| B05976E | 3328W-78 | 4 WIRE 4 POLE | 480VAC | F27131B | |
| B05976D | 3328-78 | 3 WIRE 4 POLE | 480VAC | F18366B | |
| B05976C | 3327W-78 | 3 WIRE 3 POLE | 480VAC | F27131B | |
| B05976B | 3327-78 | 2 WIRE 3 POLE | 480VAC | F18366B | |
| B05976A | 3326- | 2 WIRE 2 POLE | 480VAC | F18366B | OBSOLETE |
| PART # | CAT # | DESCRIPTION | RATING | HOUSING ASSEM. | |

| | | | | | | |
|-------------------------------|--|---|---|----------------|--|---|
| | | TOLERANCES | PATT. NO. | SCALE <i>2</i> | DATE | TITLE TYPE SC WATERPROOF PLUG 60 AMP 480 VAC 2-3 & 4 WIRE |
| | | UNLESS OTHERWISE SPECIFIED | MATERIAL | DRN <i>WT</i> | 7-20-70 | |
| | | FRACTIONS ± .010" | FINISH | CHK'D | | |
| | | DECIMALS ± .003" | | APPR'D | | |
| | | ANGLES ± 1/4° | THIS DRAWING IS THE PROPERTY OF RUSSELL & STOLL DIVISION, MIDLAND-ROSS CORPORATION, AND IS SUBJECT TO RETURN UPON REQUEST. IT IS TO BE USED ONLY FOR THE PURPOSE FOR WHICH IT WAS EXPRESSLY LOANED AND IS NOT TO BE USED IN ANY WAY DETRIMENTAL TO THE INTERESTS OF THIS CONCERN. | | | |
| | | DIMENSIONS TO BE HELD AFTER PLATING AND HEAT TREATING | | | 16228 Flight Path Drive Brooksville, FL. 34609 RUSSELLSTOLL® FEEDRAIL® | |
| 24 ADDED FROM NO. 4 (ADD) TBH | | DATE | 5-14-97 | | B05976 | |
| NO. ALTERATIONS | | | | | | |

