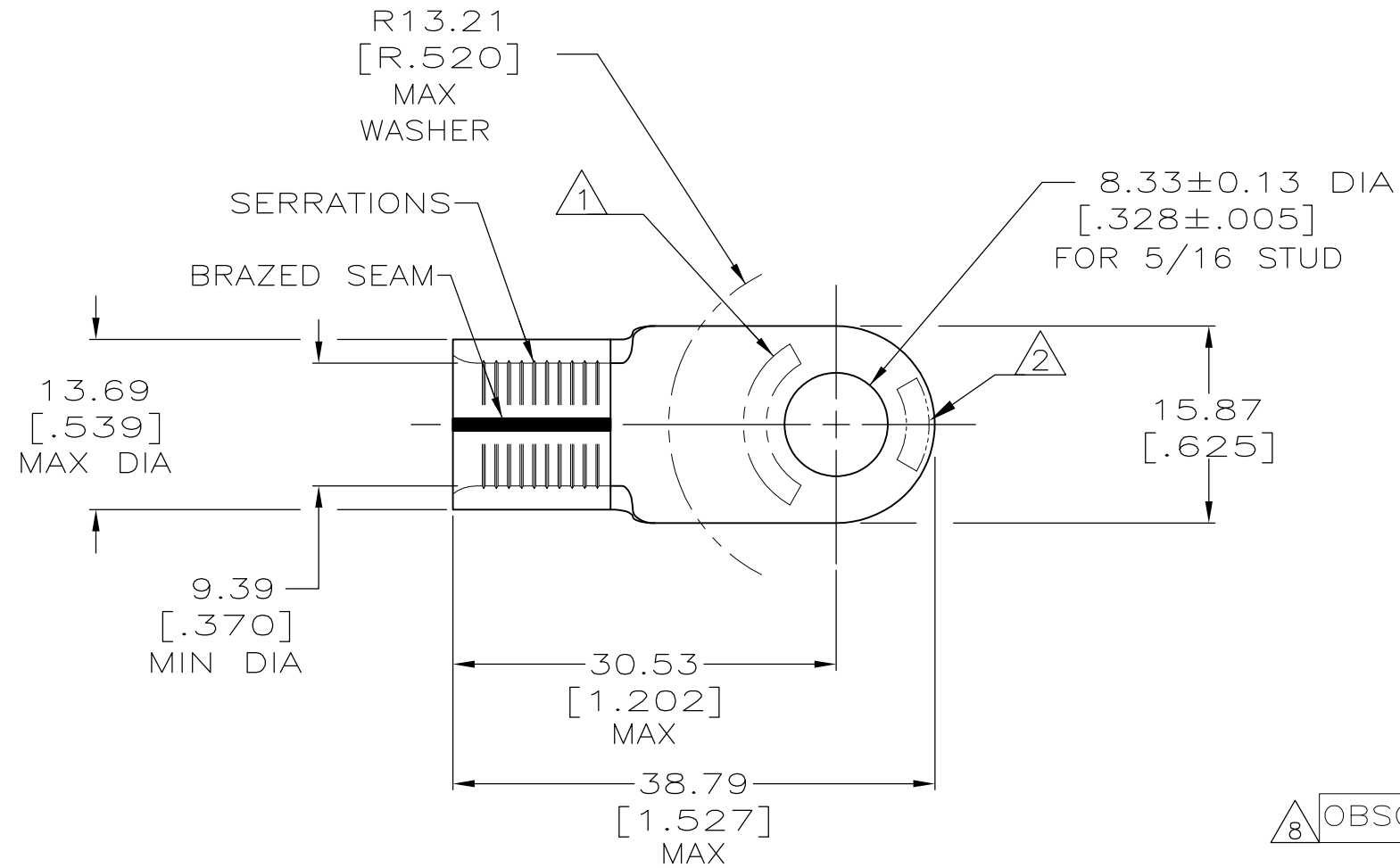


THIS DRAWING IS UNPUBLISHED. RELEASED FOR PUBLICATION
 © COPYRIGHT - By - ALL RIGHTS RESERVED.

LOC	DIST	REVISIONS					
G	14	P	LTR	DESCRIPTION	DATE	DWN	APVD
		J3		REVISED PER ECO-15-006978	06JUN2015	NK	MM

TE PART NUMBER	PACKAGE TYPE	QTY	
8-322870-3	LOOSE PIECE, BOX	25	$\triangle 4$
8-322870-5	LOOSE PIECE, BAG	10	OBSOLETE $\triangle 4$

AMP WIRE RANGE	Listed FILE E13288	LR7189 Certified	MILITARY P/N AND CLASS
2 AWG SOLID OR STRANDED	2 AWG STRANDED	2 AWG SOLID OR STRANDED	MS 20659-147 CLASS 2



- $\triangle 1$ STAMP AMP 2W* APPROX AS SHOWN.
- $\triangle 2$ STAMP 60-75 APPROX AS SHOWN.
- 3 MATERIAL THK: 1.78±0.08[.070±.003].
- $\triangle 4$ TIN PL 0.00254[.000100] MIN THK PER MIL-T-10727.
- $\triangle 5$ NICKEL PL 0.00762[.000300] MIN EXT THK PER QQ-N-290.
- $\triangle 7$ GOLD PL 0.00127[.000050] MIN THK PER MIL-G-45204 OVER NICKEL PL 0.00076[.000030] MIN THK PER QQ-N-290.
- $\triangle 8$ OBSOLETE PARTS: OBSOLETE CIS STREAMLINING PER D.RENAUD/D.SINISI

	343°C [650°F]	$\triangle 5$	2-322870-2
$\triangle 8$ OBSOLETE	260°C [500°F]	$\triangle 7$	2-322870-1
	170°C [338°F]	$\triangle 4$	322870 $\triangle 6$
	MAX TEMP RATING	FINISH	PART NO.

AMP INCORPORATED CUSTOMER SERVICE SYSTEMS		MAX RECOMMENDED OPERATING TEMPERATURE: SEE TABLE	THIS DRAWING IS A CONTROLLED DOCUMENT.		DWN 5/25/93 DK SCHRUM	TE Connectivity	
FOR ADDITIONAL PRODUCT INFORMATION OR COPIES OF DRAWINGS AND TECHNICAL DOCUMENTS	PRODUCT INFORMATION CENTER 1-800-522-6752	VOLTAGE RATING: N/A	DIMENSIONS: mm [INCHES]	TOLERANCES UNLESS OTHERWISE SPECIFIED:	CHK 1/27/94 RD HEIM	NAME TERMINAL, RING TONGUE, SOLISTRAND	
FOR APPLICATION TOOLING INFORMATION	TOOLING ASSISTANCE CENTER 1-800-722-1111	CIRCULAR MIL AREA: 26.7-42.4mm² [52,600-83,700] SOLID OR STRANDED		0 PLC ± - 1 PLC ± - 2 PLC ± 0.20[.008] 3 PLC ± - 4 PLC ± - ANGLES ± -	APVD 1/27/94 JL MECKLEY	PRODUCT SPEC	RESTRICTED TO
FOR ORDER ENTRY	1-800-526-5142		MATERIAL COPPER ASTM B-152 ANNEALED	FINISH SEE TABLE	APPLICATION SPEC	WEIGHT	SIZE A3
					WEIGHT	CAGE CODE 00779	DRAWING NO C-322870
					CUSTOMER DRAWING		SCALE 2:1 SHEET 1 of 1 REV J3