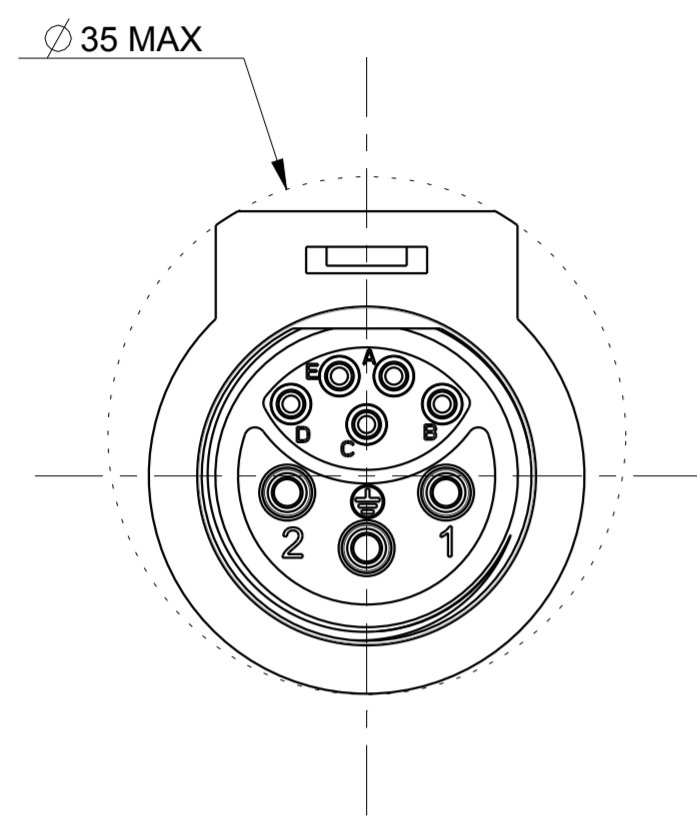
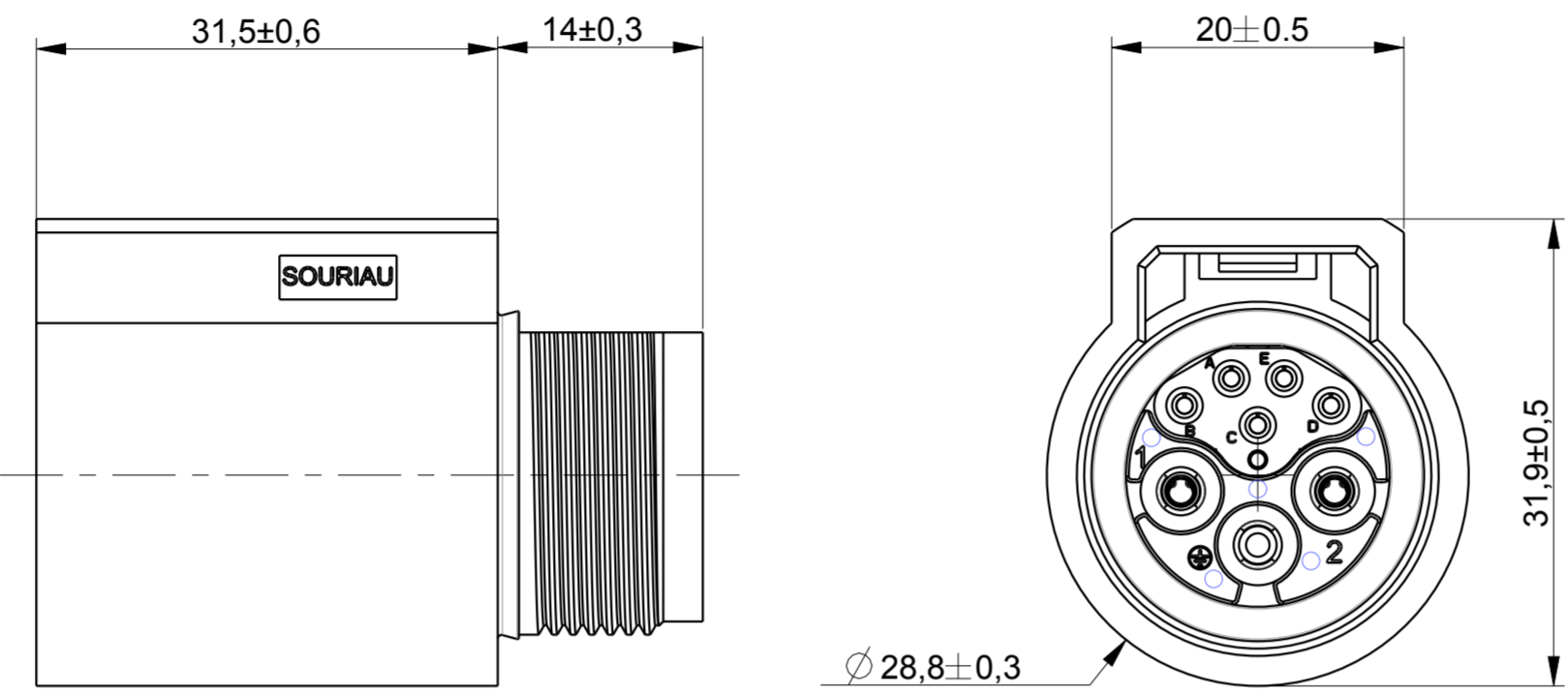


### WIRING FACE



### MATING FACE



### MATERIALS

HOUSING: PA GF REINFORCED, BLACK COLOR

### PERFORMANCES CHARACTERISTICS

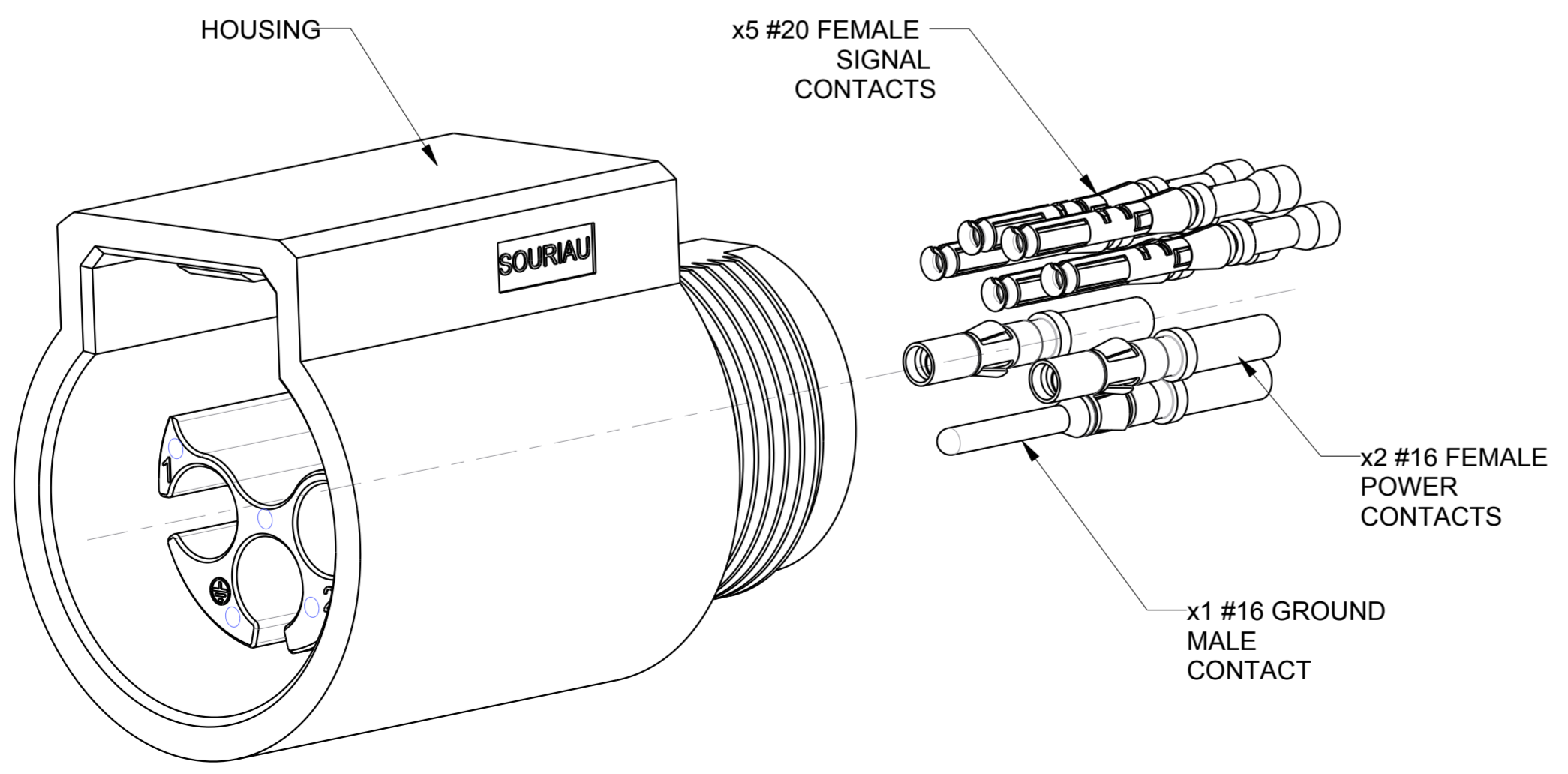
<b>- MECHANICAL</b>		
TEMPERATURE CLASS	IEC61984/UL1977	-40°C TO 105°C
DURABILITY	IEC61984	500 MATE / UNMATE CYCLES
SEALING IN MATED CONDITIONS	IEC60529	IP68 1BAR DURING 1WEEK
	DIN40050	IP69K
SEALING IN UNMATED CONDITIONS	IEC60529	IP67 WITH CAPS
POLLUTION DEGREE	IEC61984	4
CORROSION SALT SPRAY		MIN 1000H
FLAMMABILITY	UL94	MATERIAL RATING: 5VA
OUTDOOR SUITABILITY (UV RESIST)	UL746C	MATERIAL RATING: (f1)
SCOOP PROOF		
<b>- ELECTRICAL</b>		
TOUCH PROOF	IEC60529	IP2X
<b>POWER AND GROUND LINES:</b>		
NOMINAL CURRENT	UL1977	16A WITH AWG14 WIRE / 13A WITH AWG16 WIRE
NOMINAL CURRENT	IEC61984	16A WITH 2.5MM <sup>2</sup> WIRE / 13A WITH 1.5MM <sup>2</sup> WIRE AT 60°C
<b>NOMINAL VOLTAGE</b>		
NOMINAL VOLTAGE	UL1977	600V
NOMINAL VOLTAGE	IEC61984	250VAC 4KV 4 FOR CLASS II
NOMINAL VOLTAGE	IEC61984	500VAC 6KV 4 FOR CLASS I
<b>SIGNAL CONTACT (a,b,c,d,e) LINES:</b>		
NOMINAL VOLTAGE	IEC61984	48V AC
NOMINAL CURRENT	IEC61984	5A

ROHS COMPLIANT

### NOTES

- COUNTERPART REFERENCE UTL PLUG
- CONNECTORS ARE DELIVERED AS PRE-ASSEMBLED KIT
- CONNECTOR BLOCKS ACCEPTS TRIM TRIO CONTACTS #16 AND #20, R\*M\* OR S\*M\* TYPES
- CONTACTS TO BE ORDERED SEPARATELY.
- WARNING: PHASE AND SIGNAL CONTACT ARE FEMALE VERSION AND GROUND CONTACT IS MALE VERSION
- UNIT IN MM

### OVERVIEW WITH CONTACTS (For information only) (SEE NOTA 4)



Country	Jurisdiction & Control List
FR	NOT LISTED

P/N : UTL1122G1W5S

B	09/11/15	drawing format updated		—
ISS	DATE	Latest modification - by: LANDAIS.PE		MOD N°
Designed by: RAGAIN.E.M		Date:02/10/14		CUSTOMER DRAWING
TITLE		FEMALE FREE HANGING SIZE 12 LAYOUT 8 CONTACTS		
		UTL CONNECTOR		
Scale	2/1	General linear Tolerances: ± --	NPRDS / PROJECT UTL	
SOURIAU		WWW.SOURIAU.COM		This document is the property of SOURIAU. It must not be reproduced or communicated without permission.
FORMAT	A2	SOURIAU DRG N° UTL1-0069A-C01		SHEET 1/1