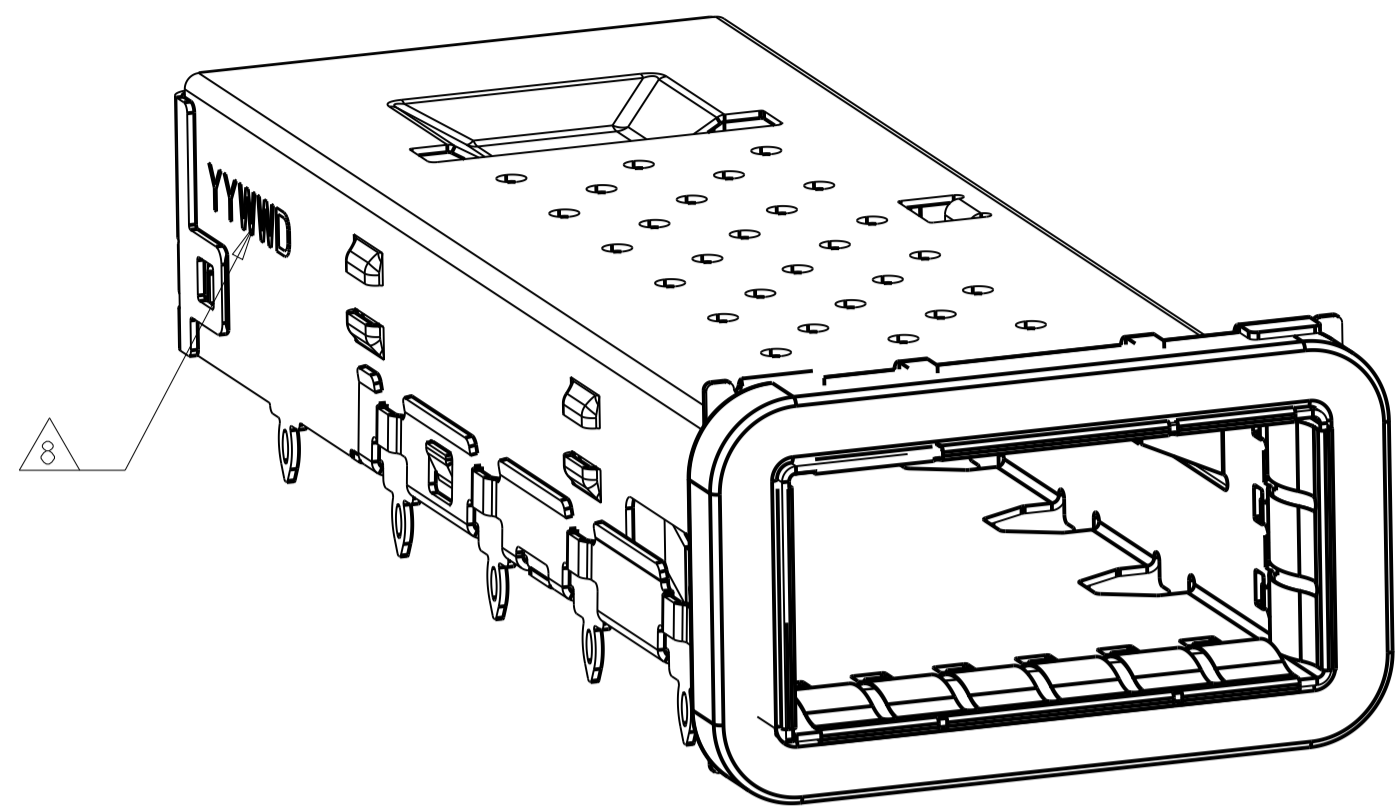
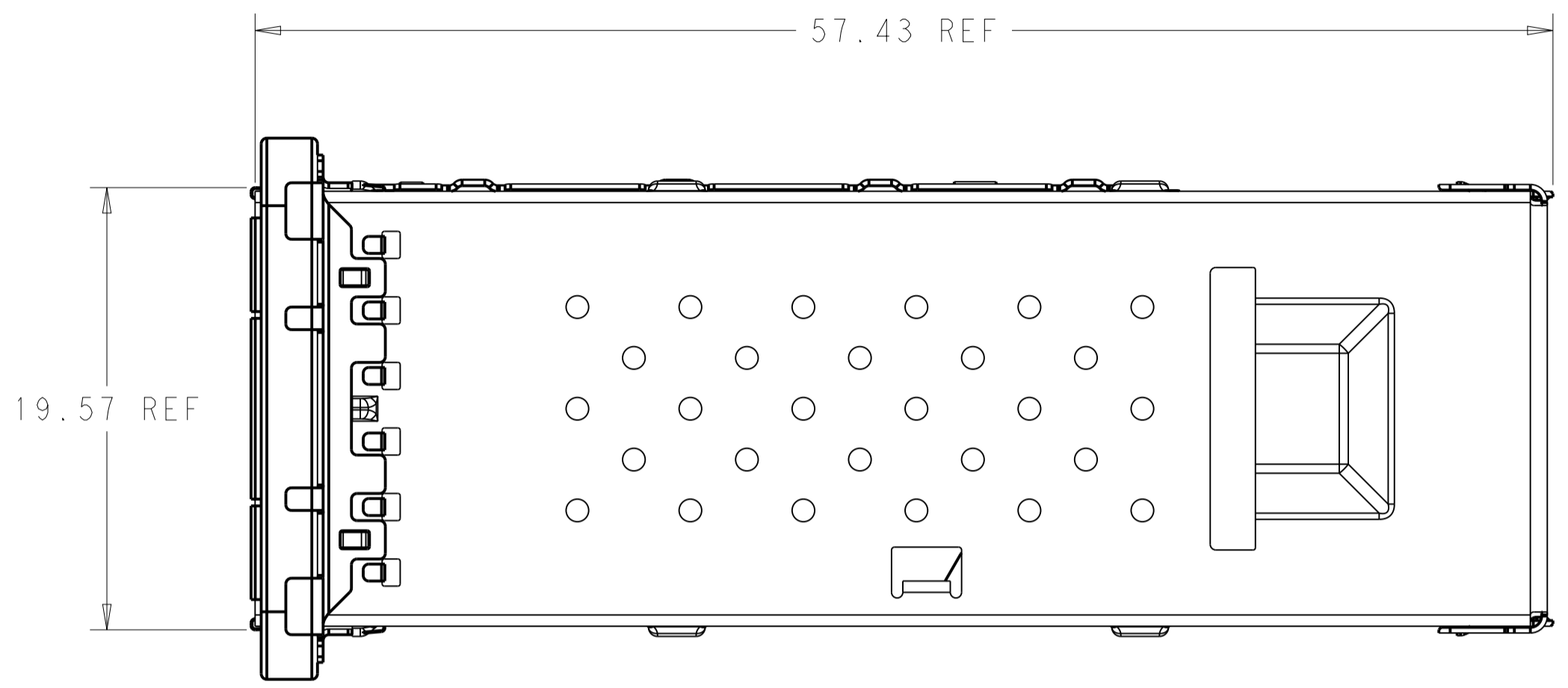


LOC		DIST		REVISIONS			
P	LTN	DESCRIPTION	DATE	DWN	APVD		
1		PRELIMINARY	27NOV2013	JY	-		
2		UPDATE MIN PITCH IN BEZEL	25JUN2014	JY	-		



SCALE 4:1



1. MATERIAL:
 CAGE MATERIAL : 0.25 THICK NICKEL SILVER.
 SPRING MATERIAL: COPPER ALLOY
 EMI GASKET: PLATED FILLED SILICONE WITH 94 V-0

2. FINISH:
 SPRING: NICKEL PLATING

3. MATES WITH QSFP28 MSA COMPATIBLE TRANSCEIVER.

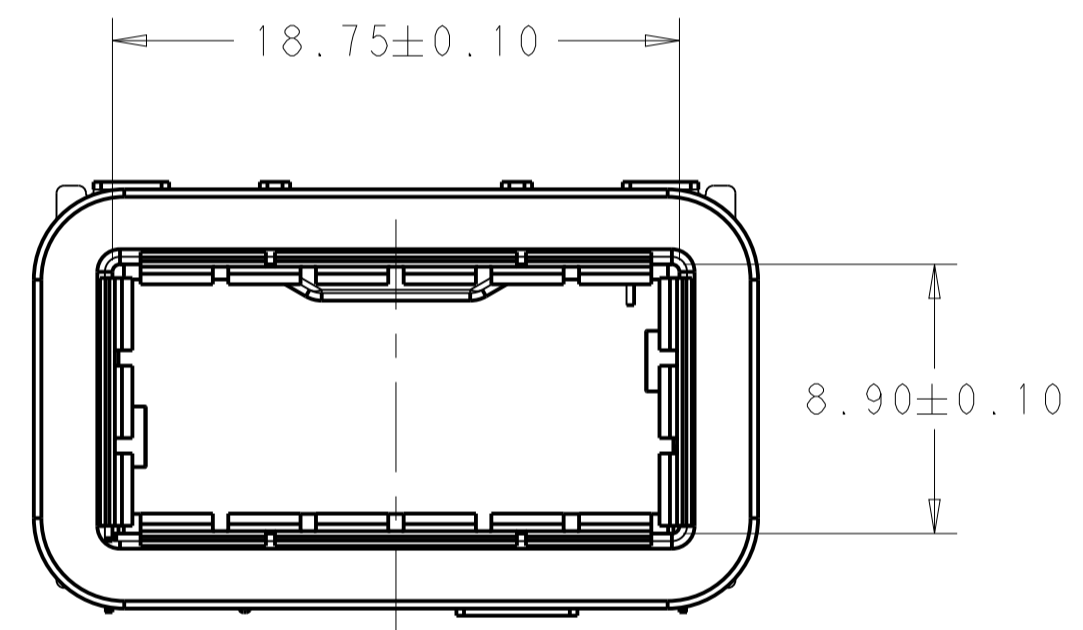
⚠ REFERENCE APPLICATION SPEC 114-***** FOR RECOMMENDED DRILL HOLE DIAMETER AND PLATING THICKNESS.

⚠ DATUM AND BASIC DIMENSIONS ESTABLISHED BY CUSTOMERS.

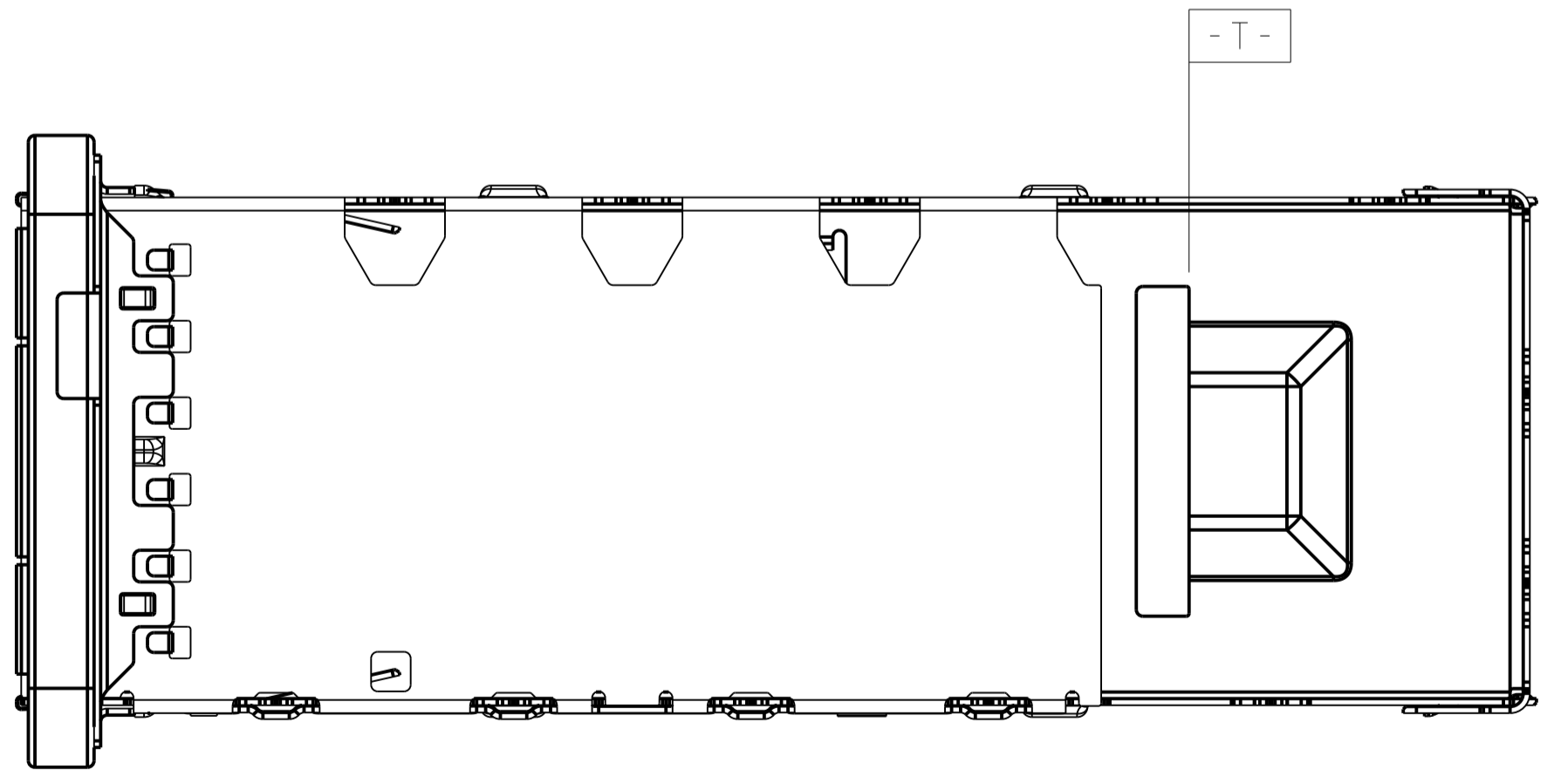
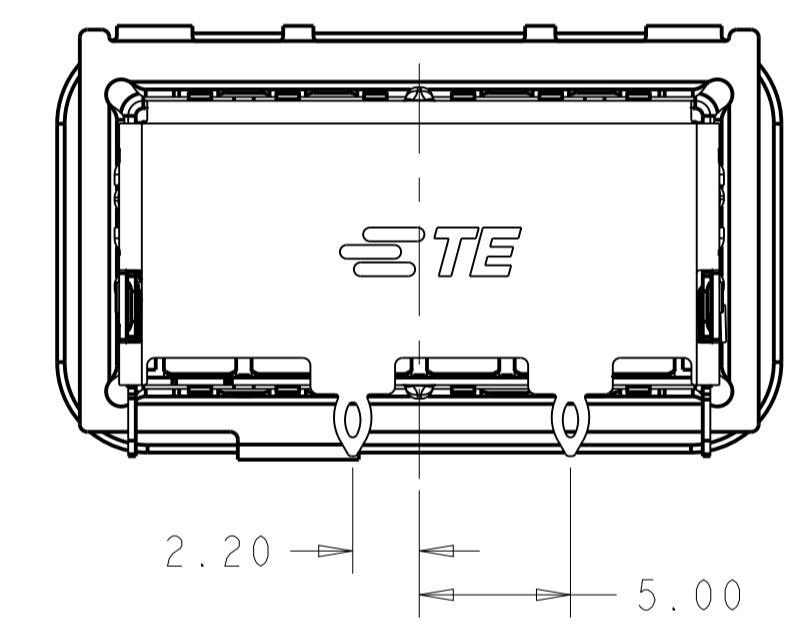
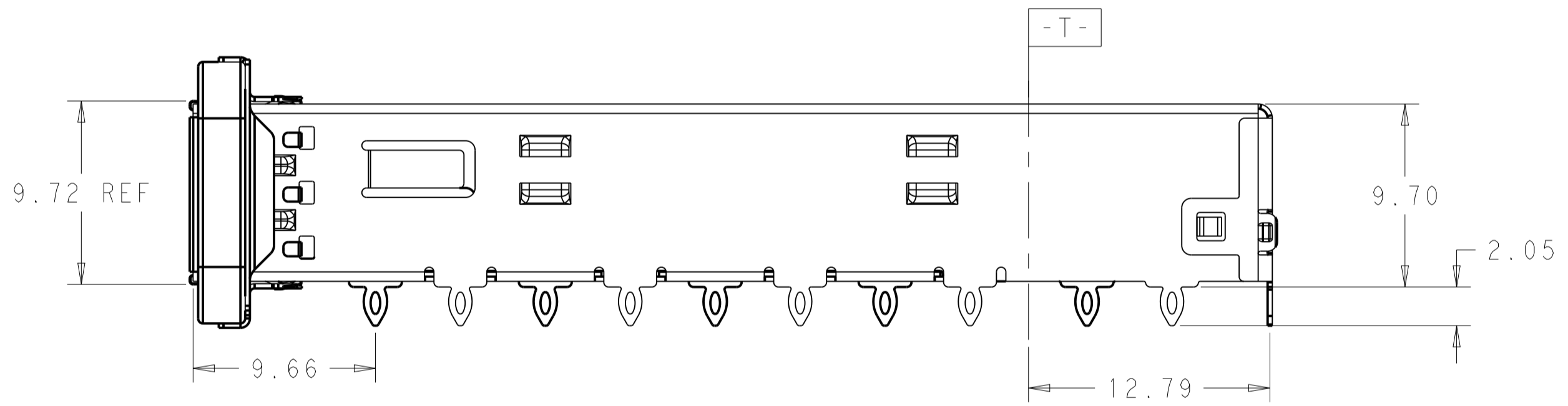
6. MINIMUM PC BOARD THICKNESS :
 SINGLES SIDED: 1.57 MIN
 DOUBLE SIDED: 3.00 MIN

⚠ DATUM **-A-** IS TOP SURFACE OF THE HOST BOARD.

⚠ DATE CODE (YYWW) MARKED APPROXIMATELY AS SHOWN



SCALE 4:1



0	WITH	2170752-7
1	WITH	2170752-6
0	WITHOUT	2170752-5
1	WITHOUT	2170752-4
2	WITH	2170752-2
2	WITHOUT	2170752-1
# REAR PINS	HEAT SINK OPEN	PART NUMBER

DESIGN APPROVED THIS PRINT IS
PRELIMINARY
 TO FIRST PIECE APPROVAL
 CONTACT PRODUCT ENGINEERING
 BEFORE USING THIS PRINT

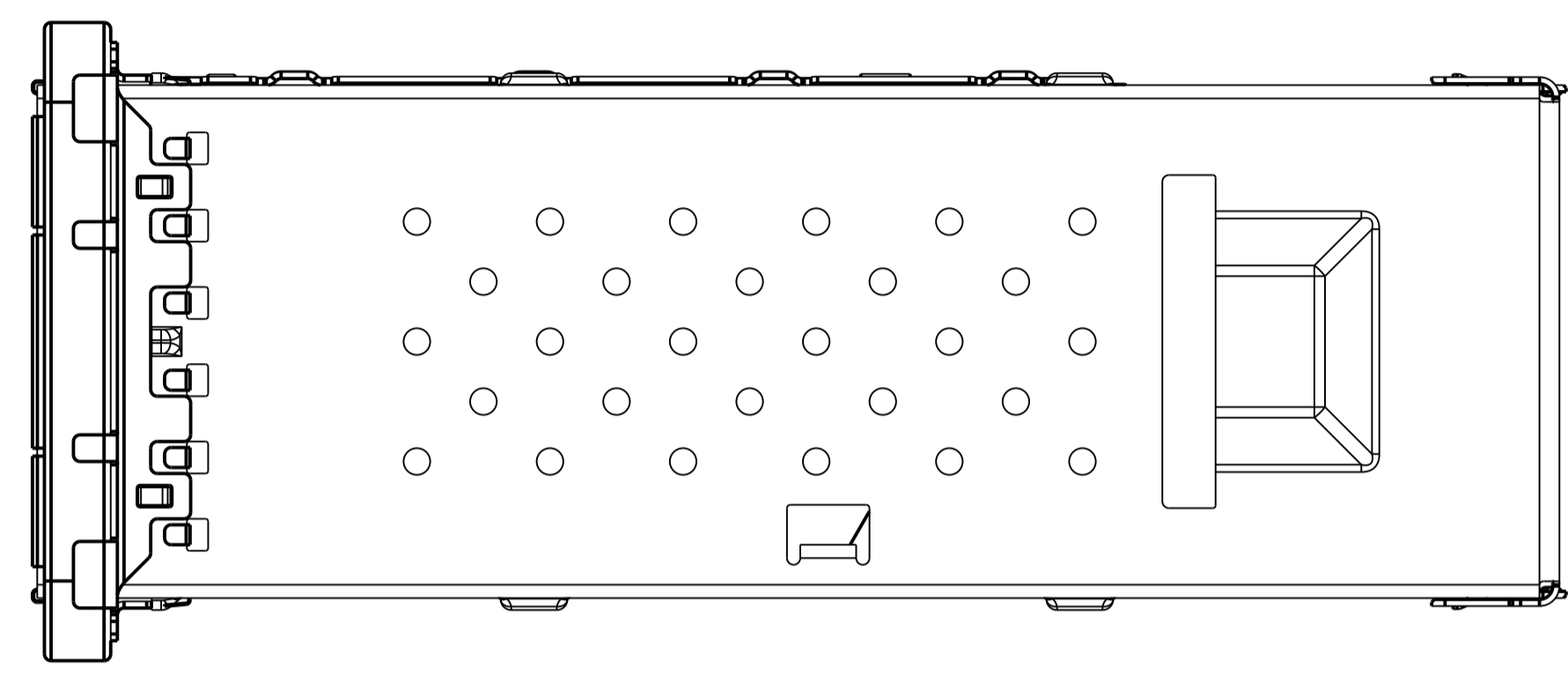
2170752-1 AS SHOWN

DIMENSIONS:		TOLERANCES UNLESS OTHERWISE SPECIFIED:	
mm	0 PLC	±0.25	
	1 PLC	±0.25	
	2 PLC	±0.25	
	3 PLC	±0.100	
	4 PLC	±	
	ANGLES	±	

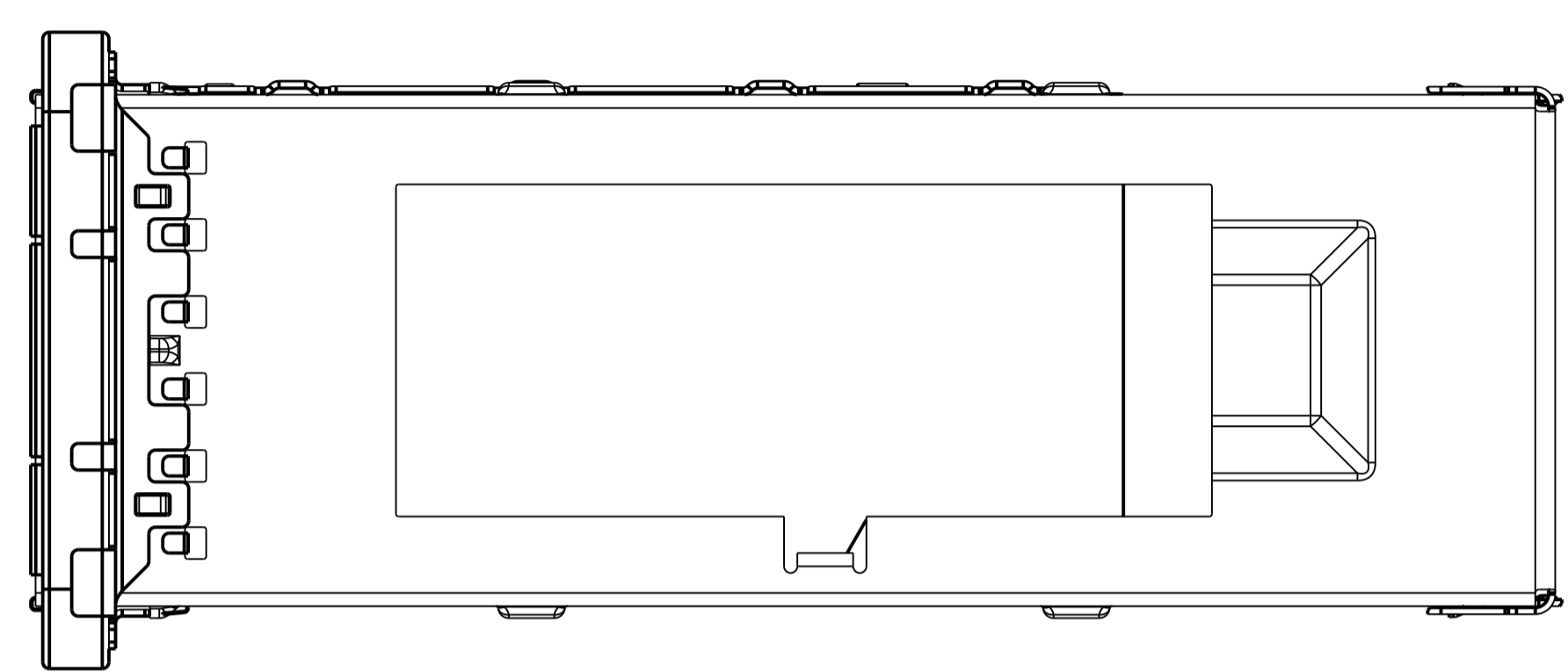
THIS DRAWING IS A CONTROLLED DOCUMENT.		DWN	01APR2014
		CM	JASON YANG
		APVD	
		NAME	ASSEMBLY QSFP28 1W1, THRU BEZEL
		PRODUCT SPEC	
		APPLICATION SPEC	
		SIZE	CAGE CODE DRAWING NO
		WEIGHT	A100779C=2170752
		MATERIAL	Customer Drawing
		SCALE	4:1
		SHEET	1 OF 5
		REV	2

LOC		DIST		REVISIONS			
P	LTN	DESCRIPTION	DATE	DMN	APVD		
-	-	SEE SHEET 1	-	-	-		

HEAT SINK OPEN OPTIONS

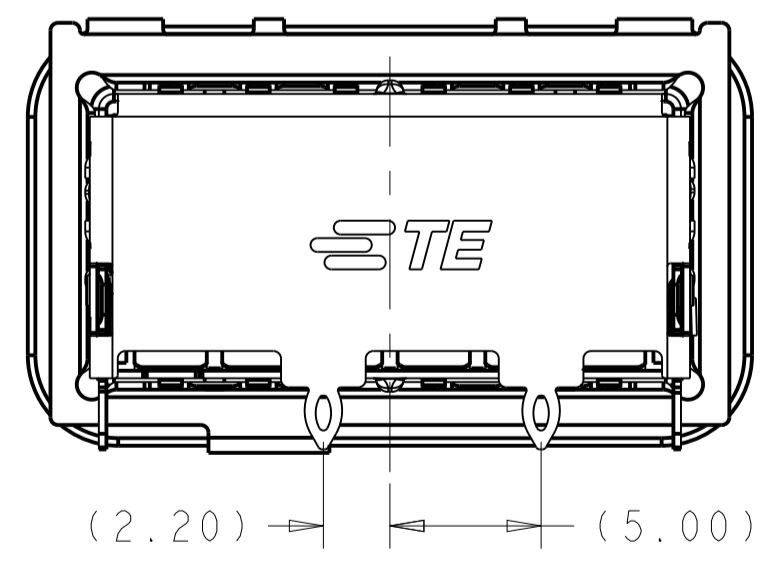


WITHOUT HEAT SINK OPEN
SCALE 4:1

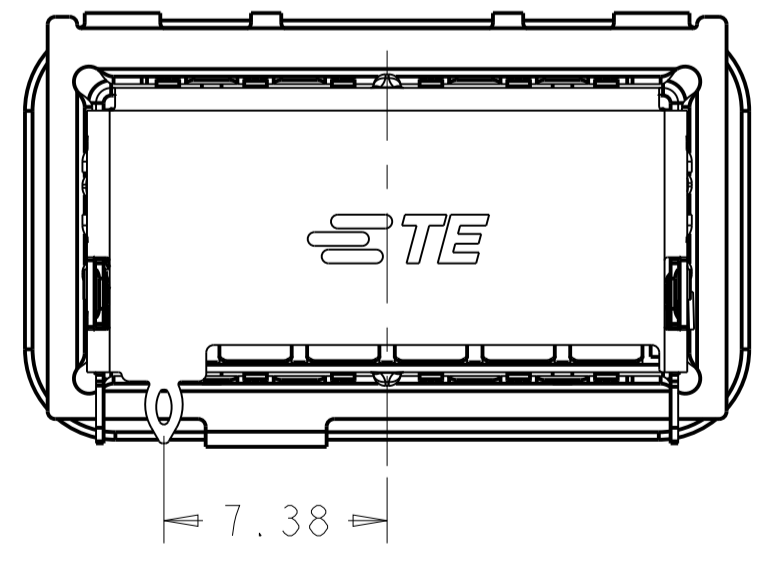


WITH HEAT SINK OPEN
SCALE 4:1

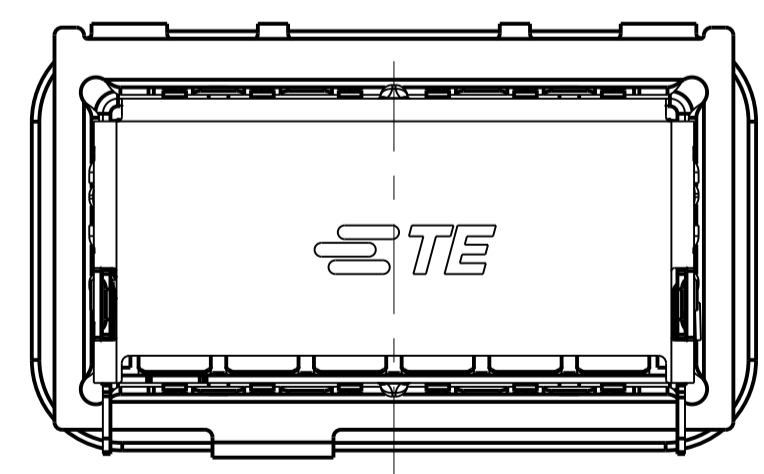
OF REAR LEGS OPTIONS



2 REAR LEGS VERSION
SCALE 4:1



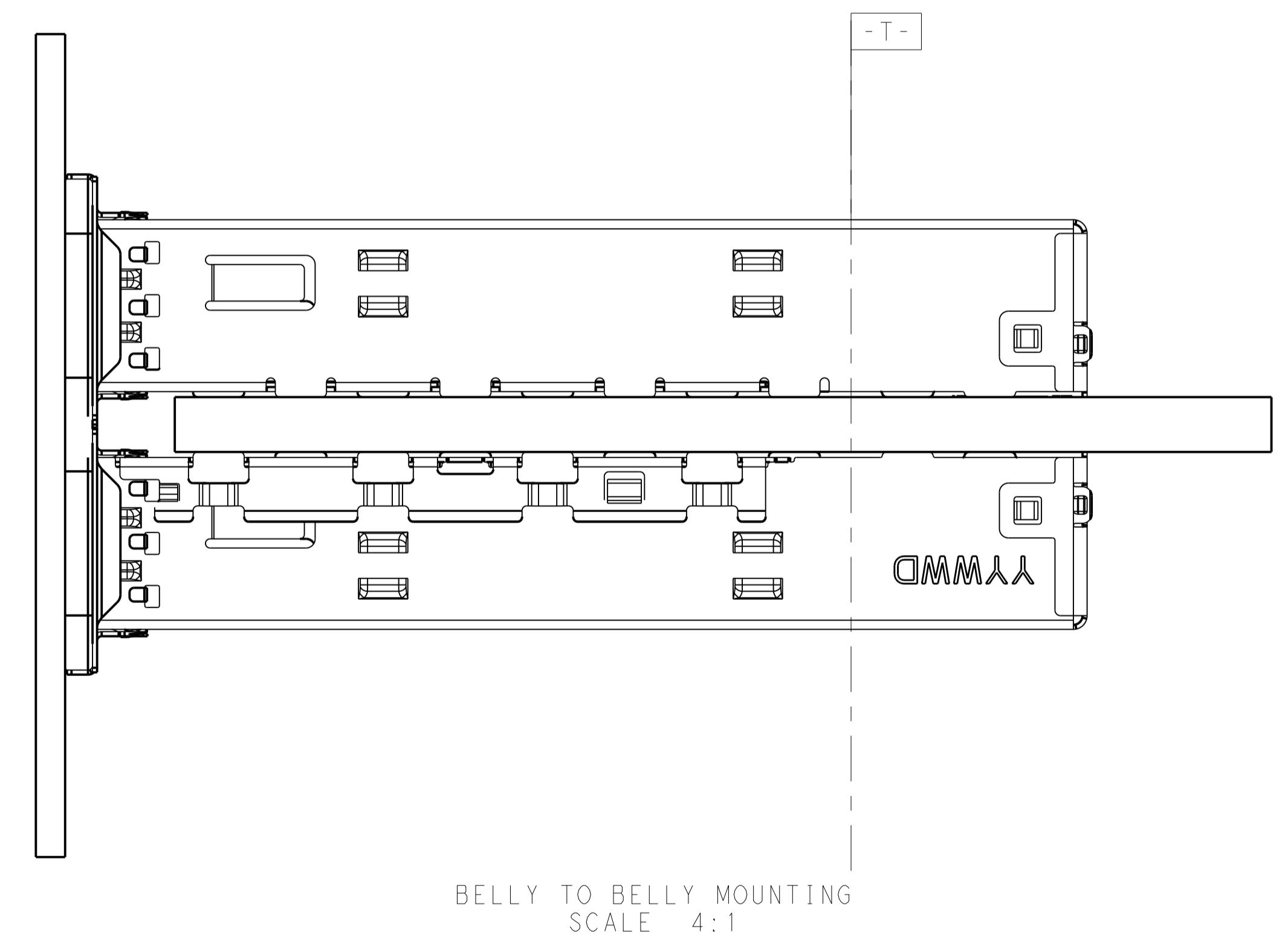
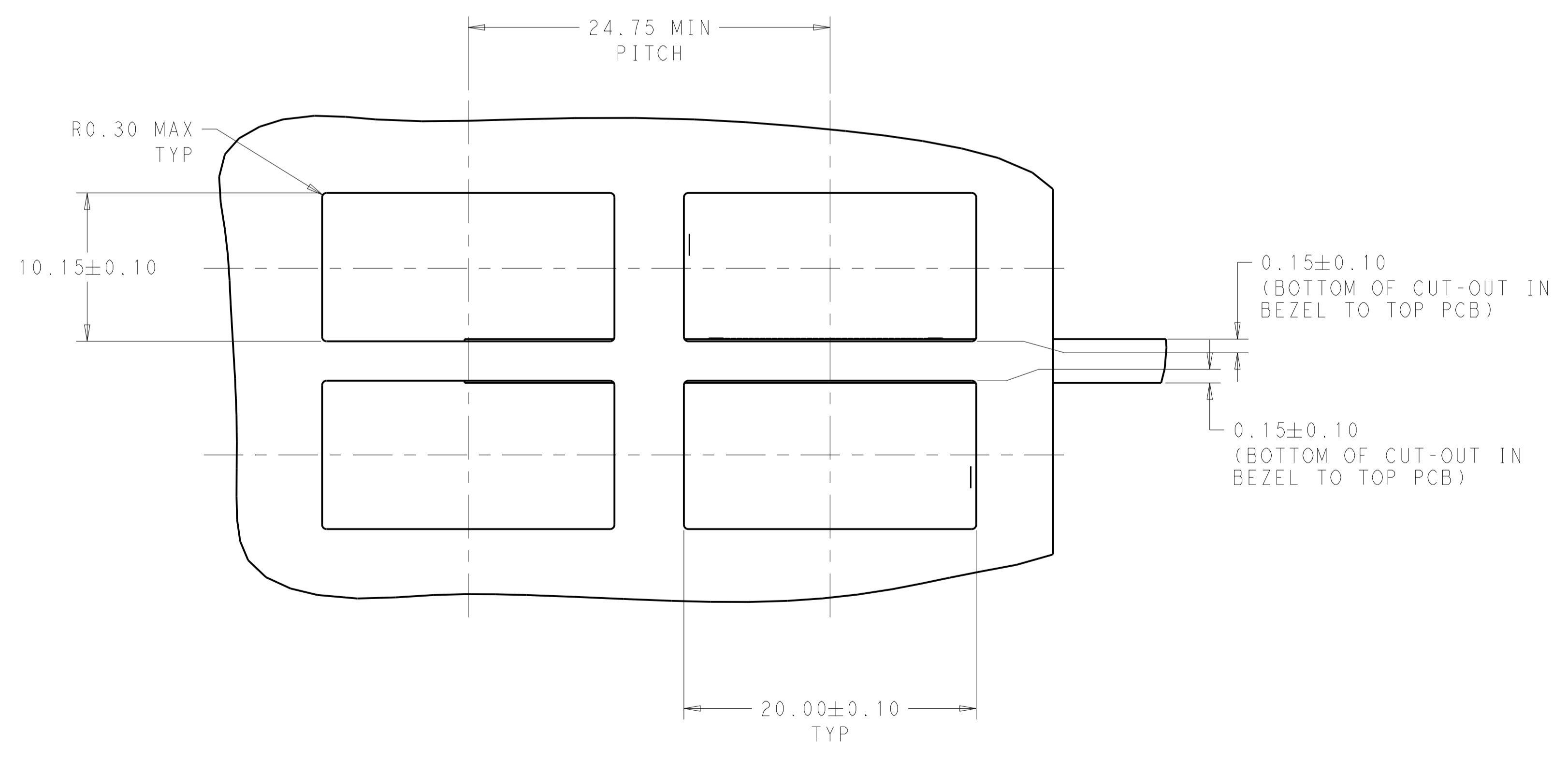
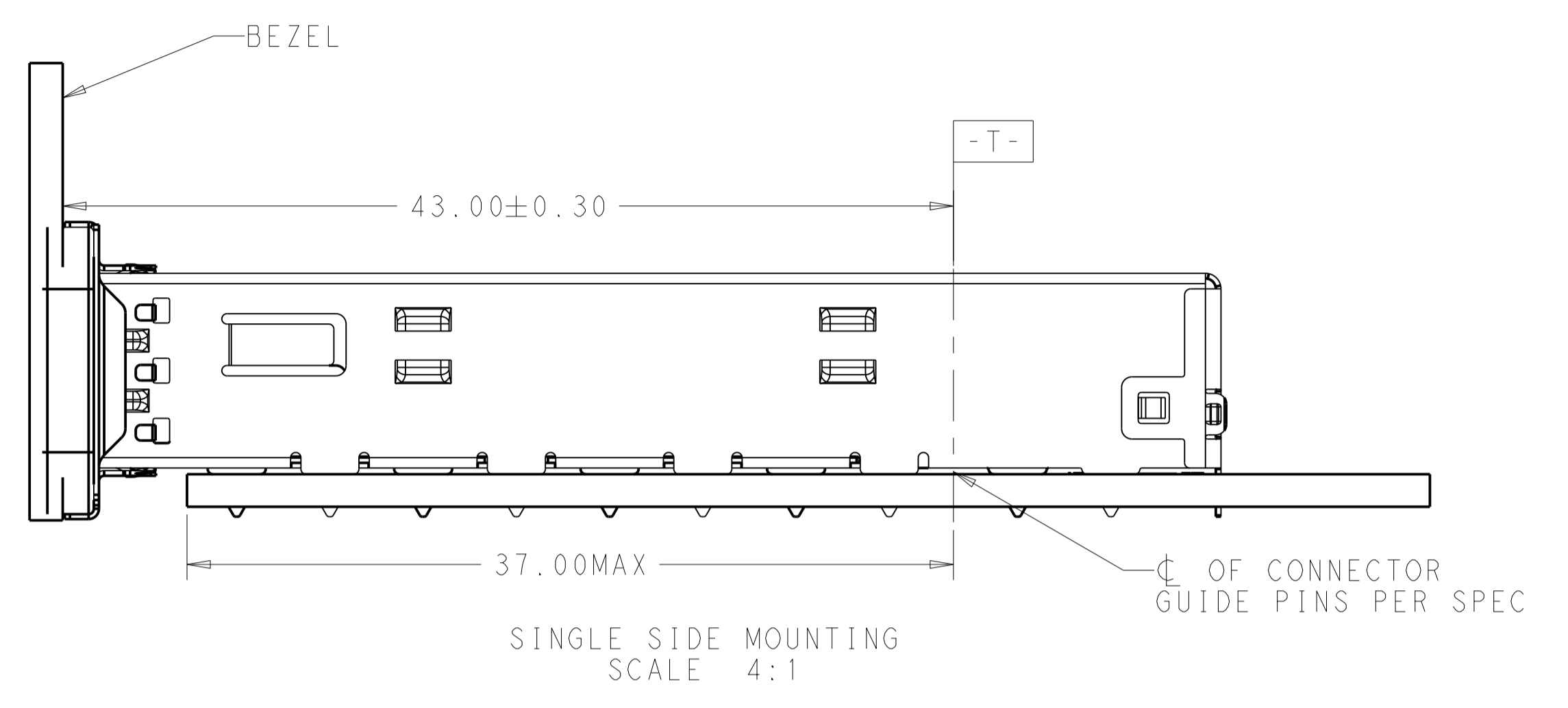
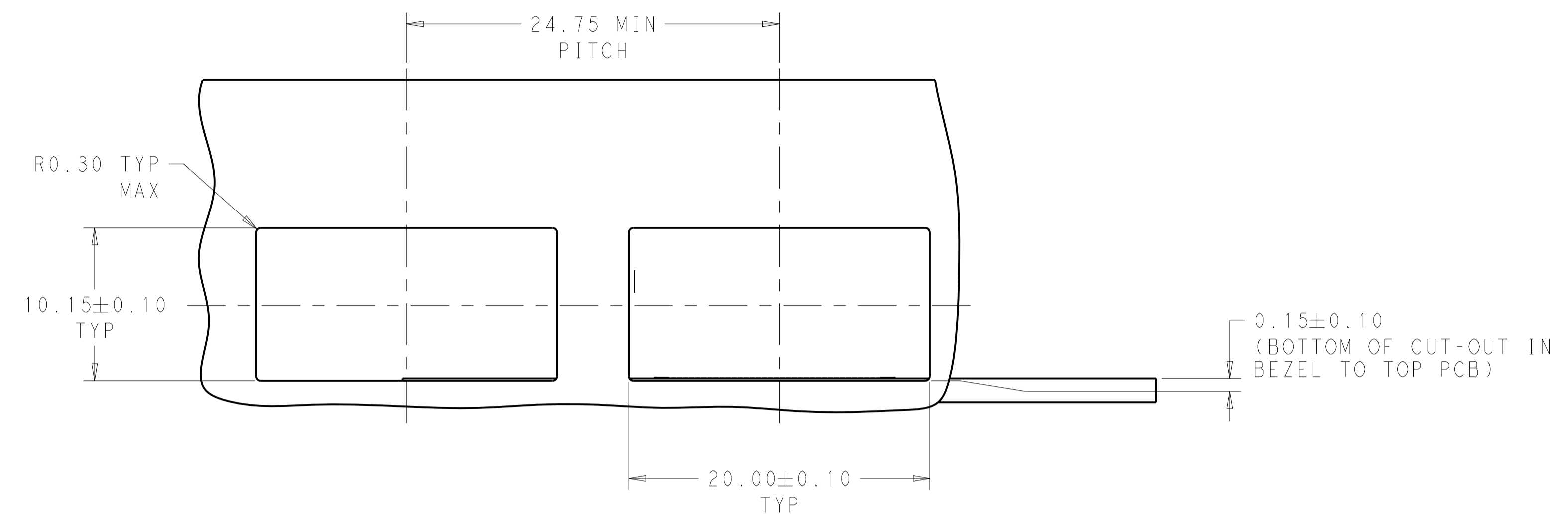
1 REAR LEG VERSION
SCALE 4:1



0 REAR LEG VERSION
SCALE 4:1

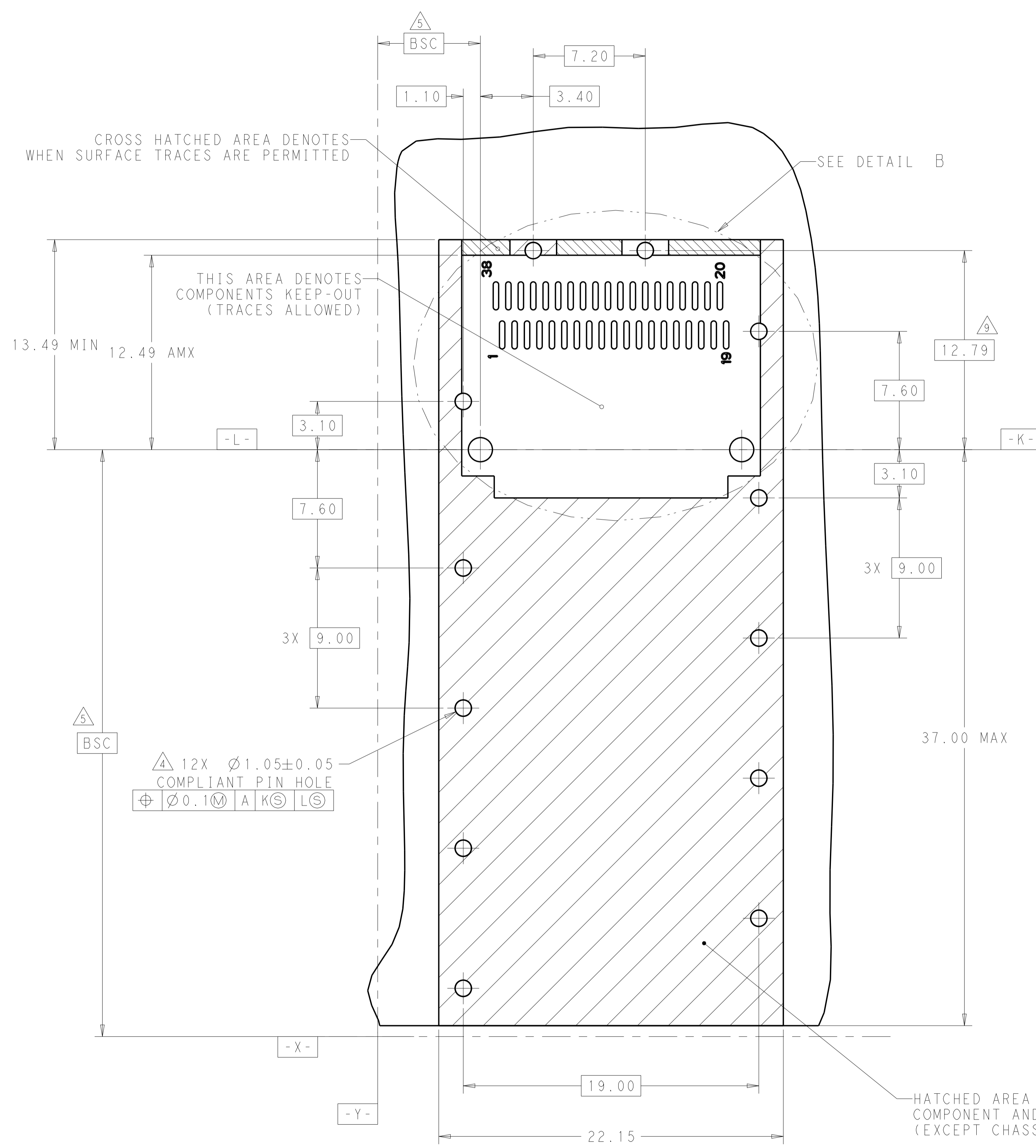
THIS DRAWING IS A CONTROLLED DOCUMENT.		DMN: JASON YANG 01APR2014	TE Connectivity
DIMENSIONS: mm		CHK: -	
TOLERANCES UNLESS OTHERWISE SPECIFIED: 0 PLC ±0.25 1 PLC ±0.25 2 PLC ±0.25 3 PLC ±0.100 4 PLC ±		APVD: -	NAME: CAGE ASSEMBLY, QSFP28, THRU BEZEL WITH EMI GASKET
FINISH: - ANGLES: ±		PRODUCT SPEC: -	APPLICATION SPEC: -
MATERIAL: -	FINISH: -	WEIGHT: -	RESTRICTED TO: -
Customer Drawing		SIZE: A1	CAGE CODE: 100779
SCALE: 4:1		SHEET: 2	OF: 5
		REV: 2	

LOC		DIST		REVISIONS			
P	LTN	DESCRIPTION	DATE	DMN	APVD		
-	-	SEE SHEET 1	-	-	-	-	-

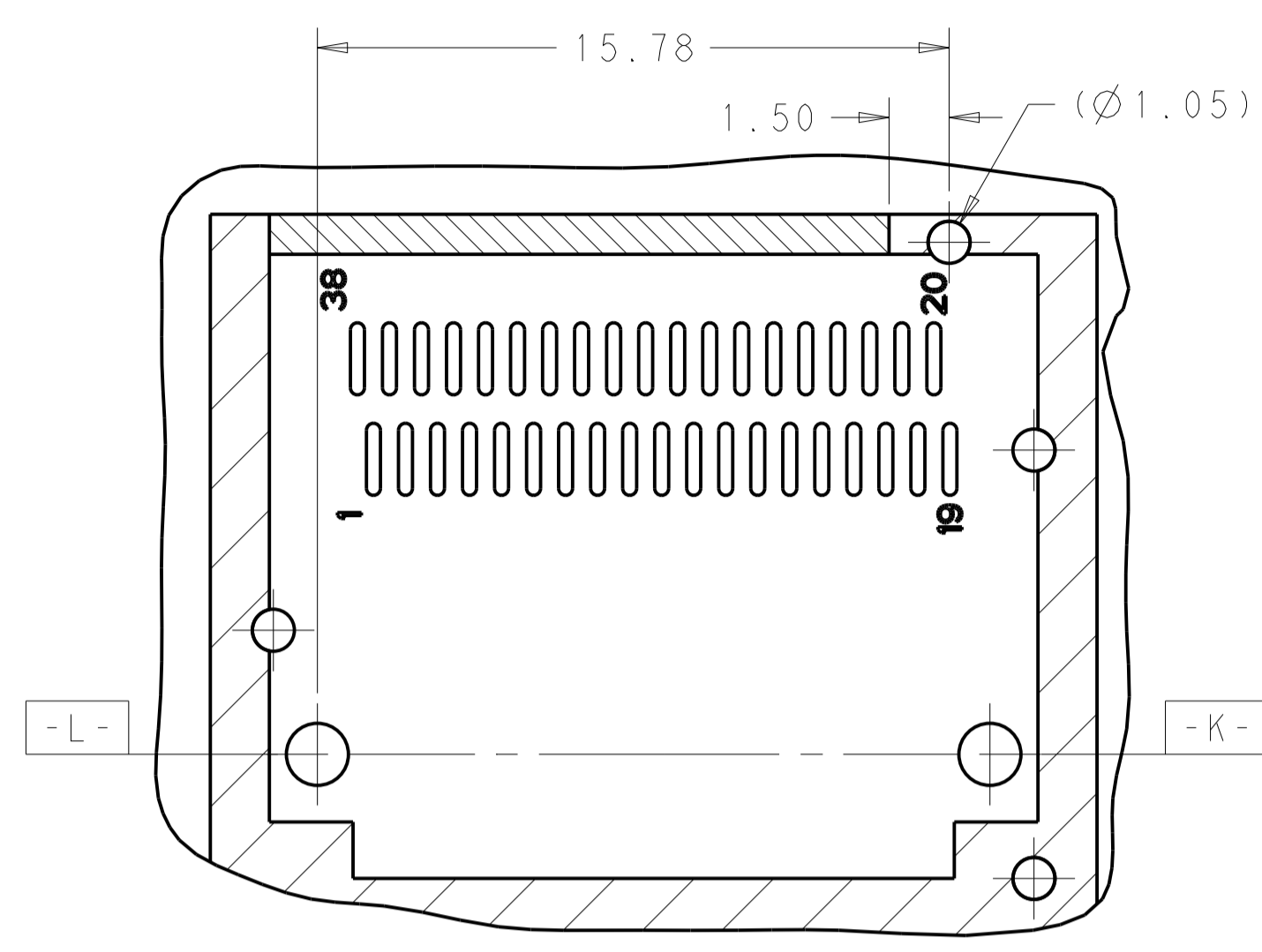


THIS DRAWING IS A CONTROLLED DOCUMENT.		DMN	JASON YANG	01APR2014	TE Connectivity	
DIMENSIONS:		CHK	-	-	NAME	
mm	0 PLC ±0.25	APVD	-	-	CAGE ASSEMBLY, QSPF28, THRU BEZEL WITH EMI GASKET	
	1 PLC ±0.25	PRODUCT SPEC	-	-	SIZE	
	2 PLC ±0.20	APPLICATION SPEC	-	-	CAGE CODE DRAWING NO	
	3 PLC ±0.100	WEIGHT	-	-	A100779C=2170752	
	4 PLC ±	Customer Drawing	-	-	RESTRICTED TO	
MATERIAL	FINISH	SCALE	4:1	SHEET	3	OF 5
		REV	2			

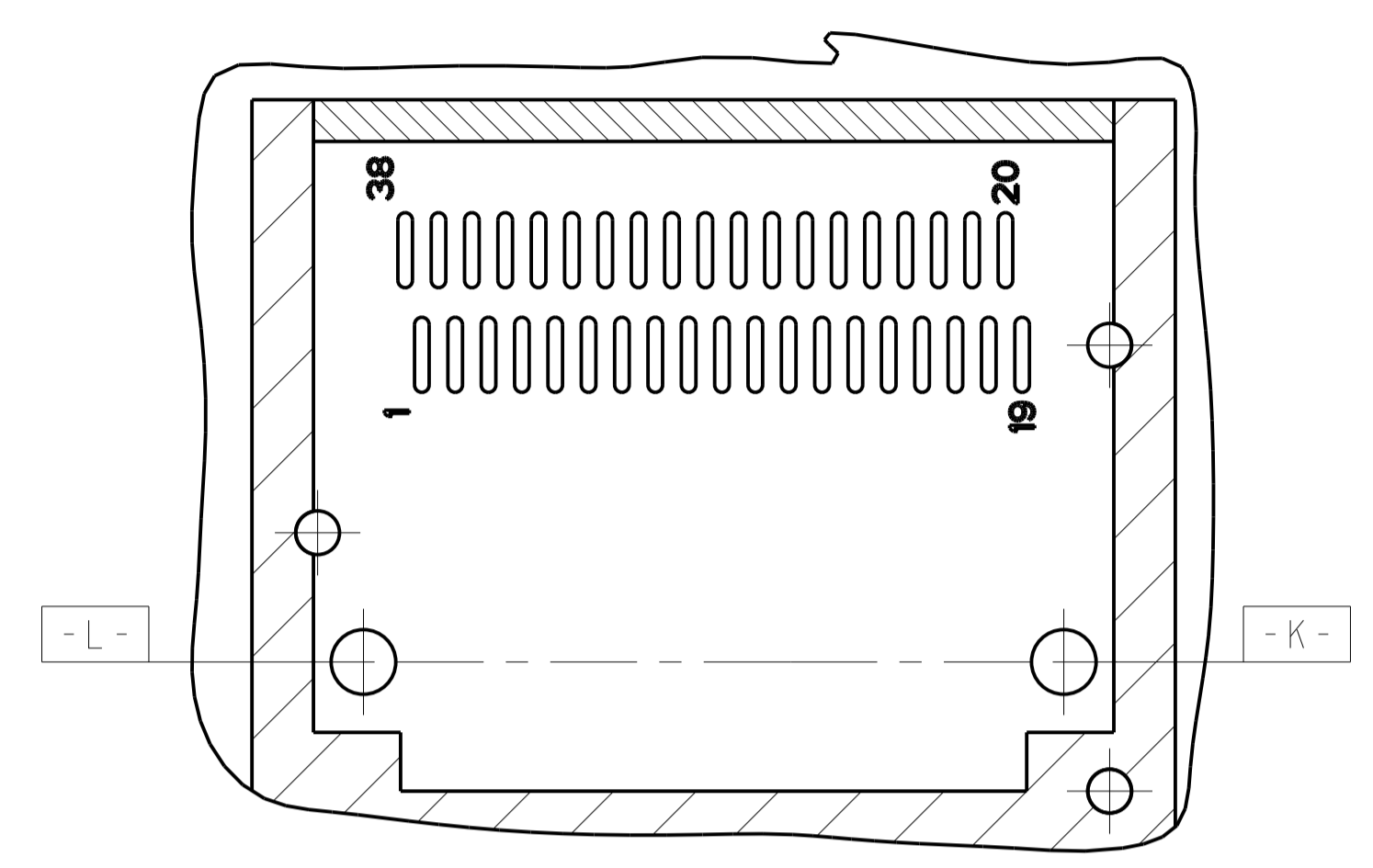
LOC		DIST		REVISIONS			
				REV	DATE	BY	APPV
-	-	-	-	-	-	-	-
-	-	-	-	1	SEE SHEET 1	-	-



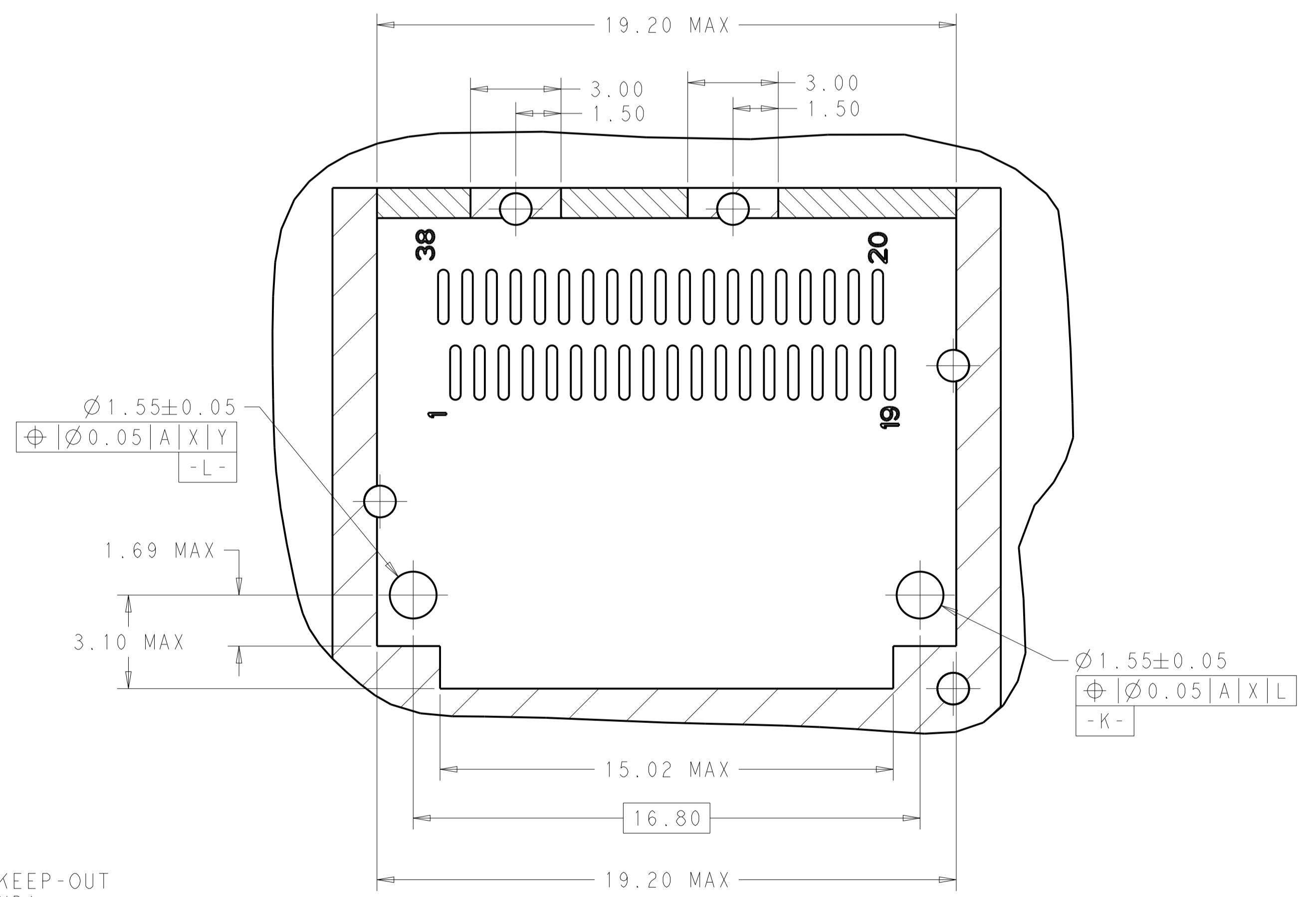
RECOMMENDED PCB LAYOUT
 SINGLE TYPE OF 2 REAR HOLES OF LEGS
 PCB TOLERANCE: ±0.05
 SCALE 6:1



RECOMMENDED PCB LAYOUT
 SINGLE TYPE OF 1 REAR HOLES OF LEGS
 PCB TOLERANCE: ±0.05
 SCALE 6:1



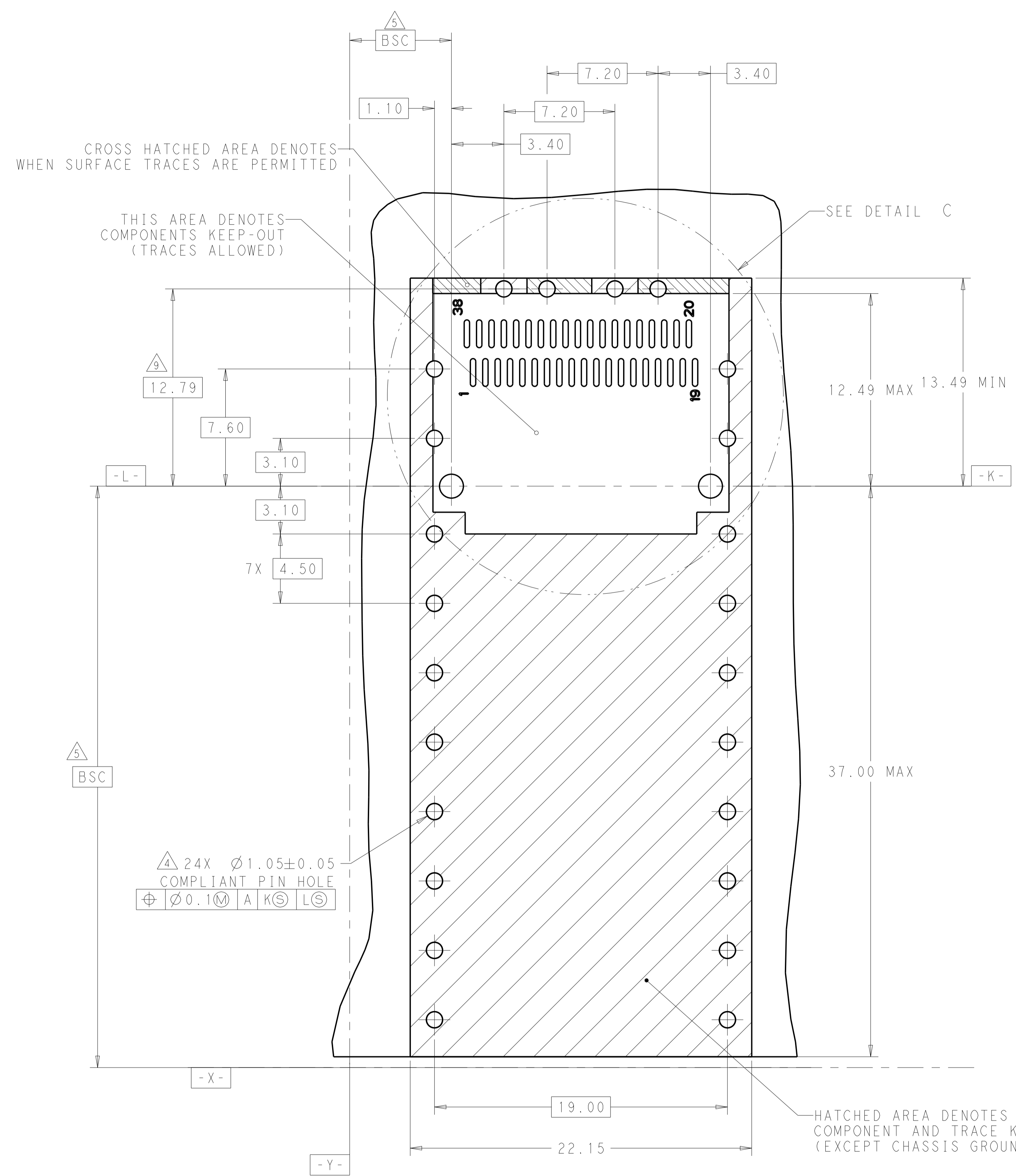
RECOMMENDED PCB LAYOUT
 SINGLE TYPE OF 0 REAR HOLES OF LEGS
 PCB TOLERANCE: ±0.05
 SCALE 6:1



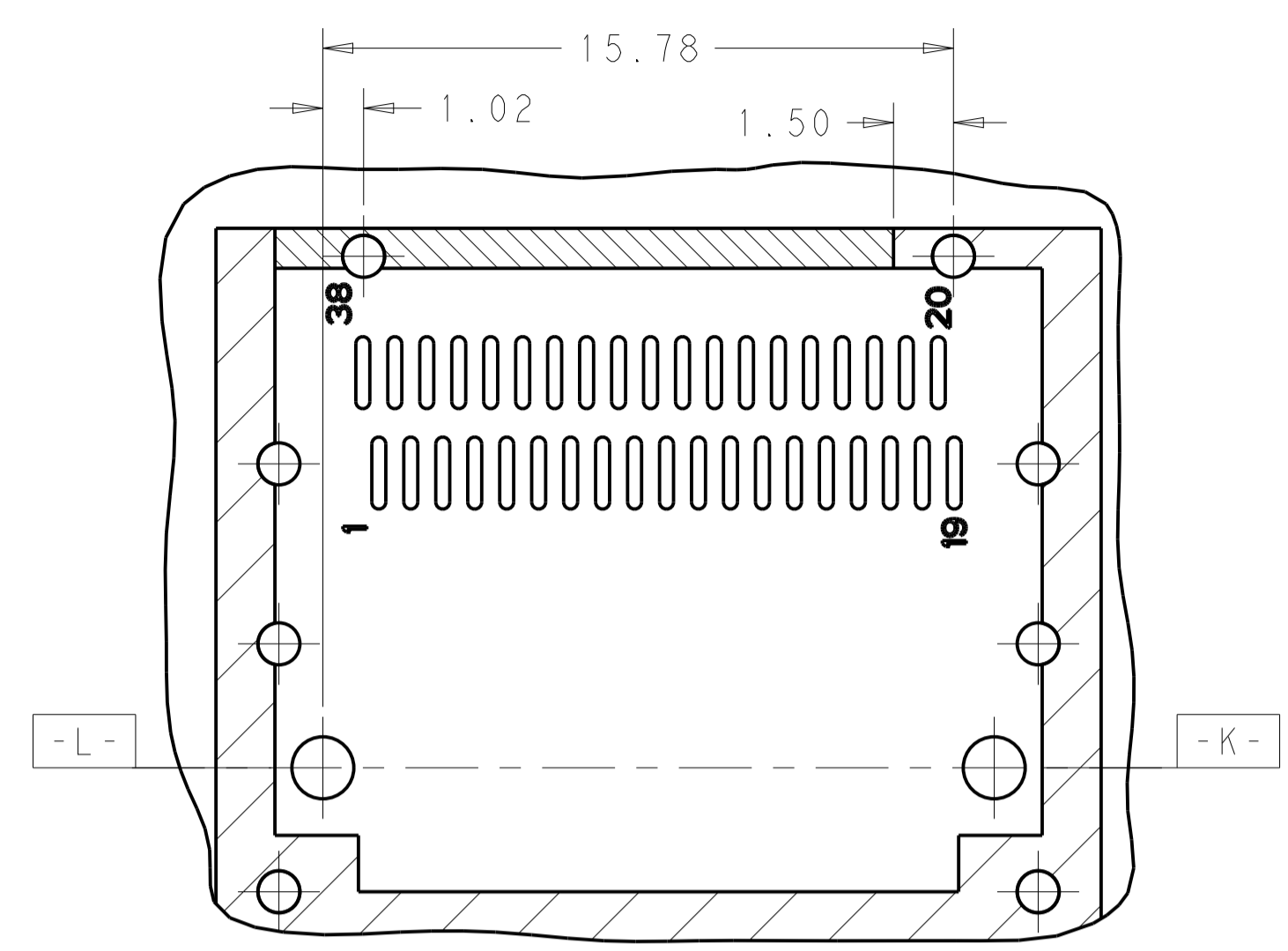
DETAIL B
 SCALE 8:1

THIS DRAWING IS A CONTROLLED DOCUMENT.		DWN: JASON YANG 01APR2014	TE Connectivity
DIMENSIONS: mm		CHK: -	
TOLERANCES UNLESS OTHERWISE SPECIFIED:		APVD: -	NAME: CAGE ASSEMBLY, QSPF28, THRU BEZEL WITH EMI GASKET
0 PLC ±0.25	1 PLC ±0.25	PRODUCT SPEC: -	APPLICATION SPEC: -
2 PLC ±0.20	3 PLC ±0.100	SIZE: -	CAGE CODE: -
4 PLC ±	ANGLES ±	WEIGHT: -	DRAWING NO: A100779
MATERIAL: -	FINISH: -	Customer Drawing	SCALE: 4:1 SHEET 4 OF 5 REV 2

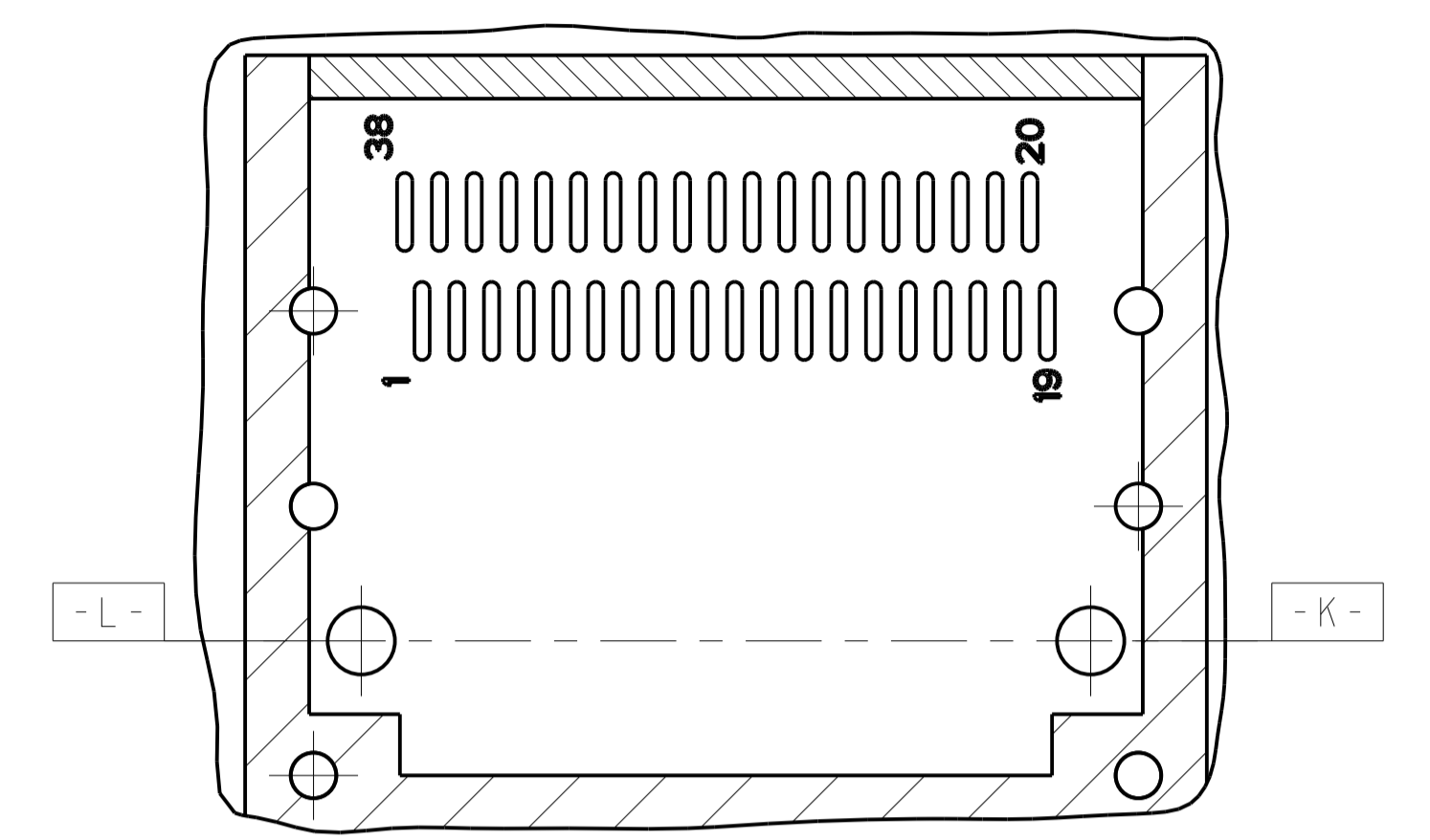
LOC	DIST	REV	DATE	BY	APPV
-	-	1	SEE SHEET 1	-	-



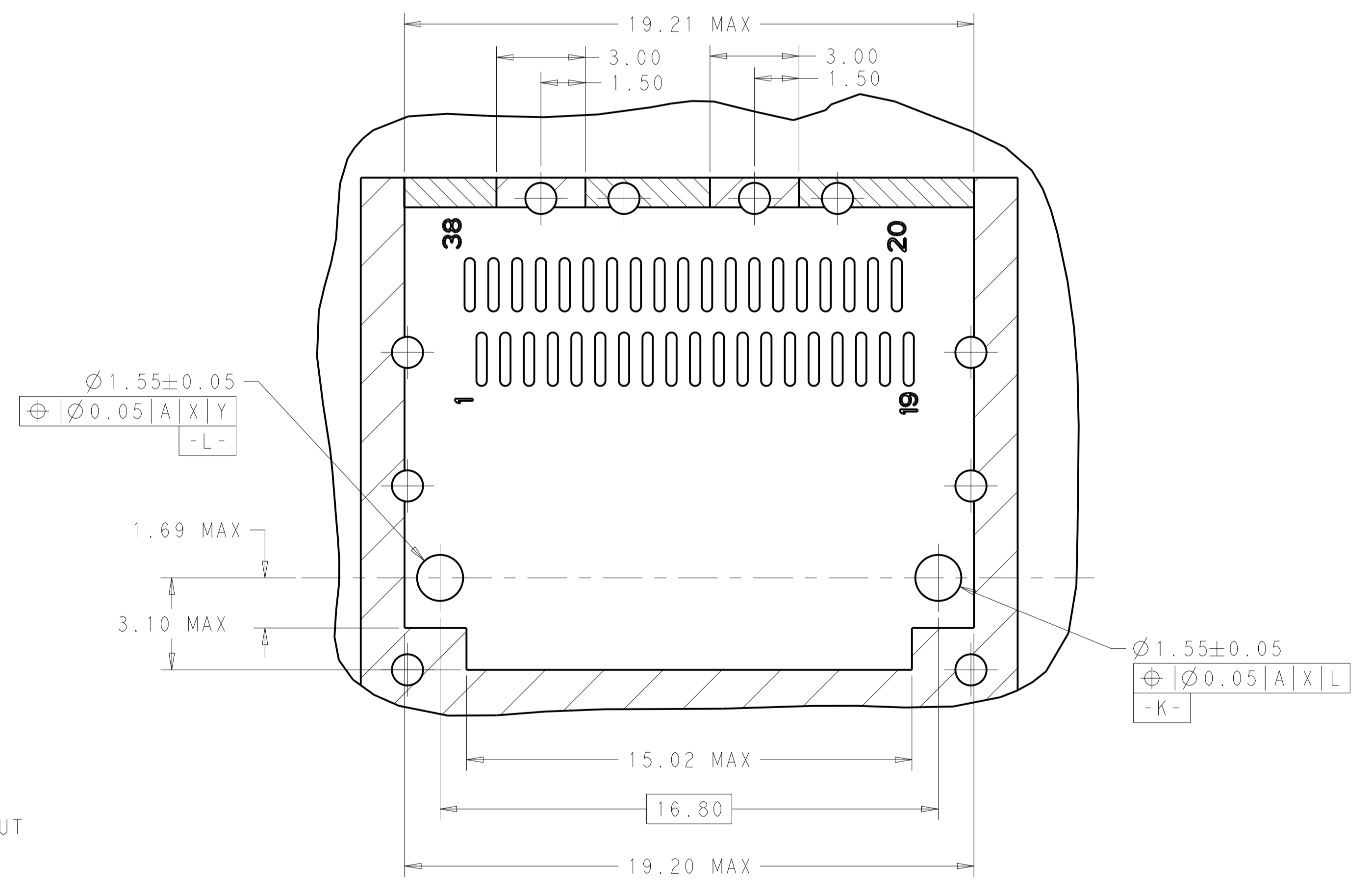
RECOMMENDED PCB LAYOUT
BELLY TO BELLY TYPE OF 2 REAR HOLES OF LEGS
PCB TOLERANCE: ±0.05
SCALE 6:1



RECOMMENDED PCB LAYOUT
BELLY TO BELLY TYPE OF 1 REAR HOLES OF LEGS
PCB TOLERANCE: ±0.05
SCALE 6:1



RECOMMENDED PCB LAYOUT
BELLY TO BELLY TYPE OF 0 REAR HOLES OF LEGS
PCB TOLERANCE: ±0.05
SCALE 6:1



DETAIL C
SCALE 8:1

THIS DRAWING IS A CONTROLLED DOCUMENT.		OWN: JASON YANG 01APR2014	TE Connectivity
DIMENSIONS: mm		CHK: -	
TOLERANCES UNLESS OTHERWISE SPECIFIED:		APVD: -	NAME: CAGE ASSEMBLY, QSPF28, THRU BEZEL WITH EMI GASKET
0 PLC ±0.25 1 PLC ±0.25 2 PLC ±0.25 3 PLC ±0.100 4 PLC ±		PRODUCT SPEC: -	
MATERIAL: -		APPLICATION SPEC: -	SIZE: CAGE CODE DRAWING NO: A100779C=2170752
FINISH: -		WEIGHT: -	
CUSTOMER DRAWING		SCALE: 4:1	RESTRICTED TO: -
		SHEET 5 OF 5	REV 2