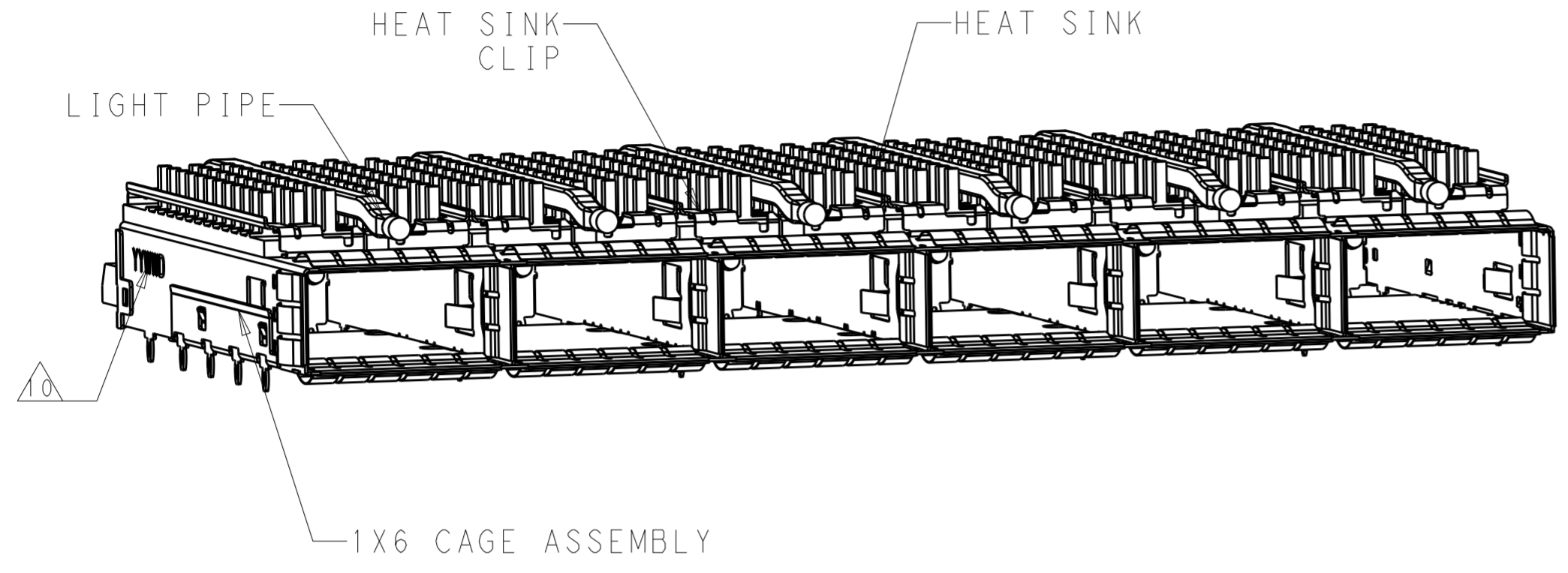
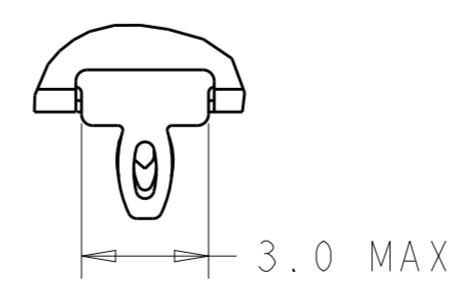
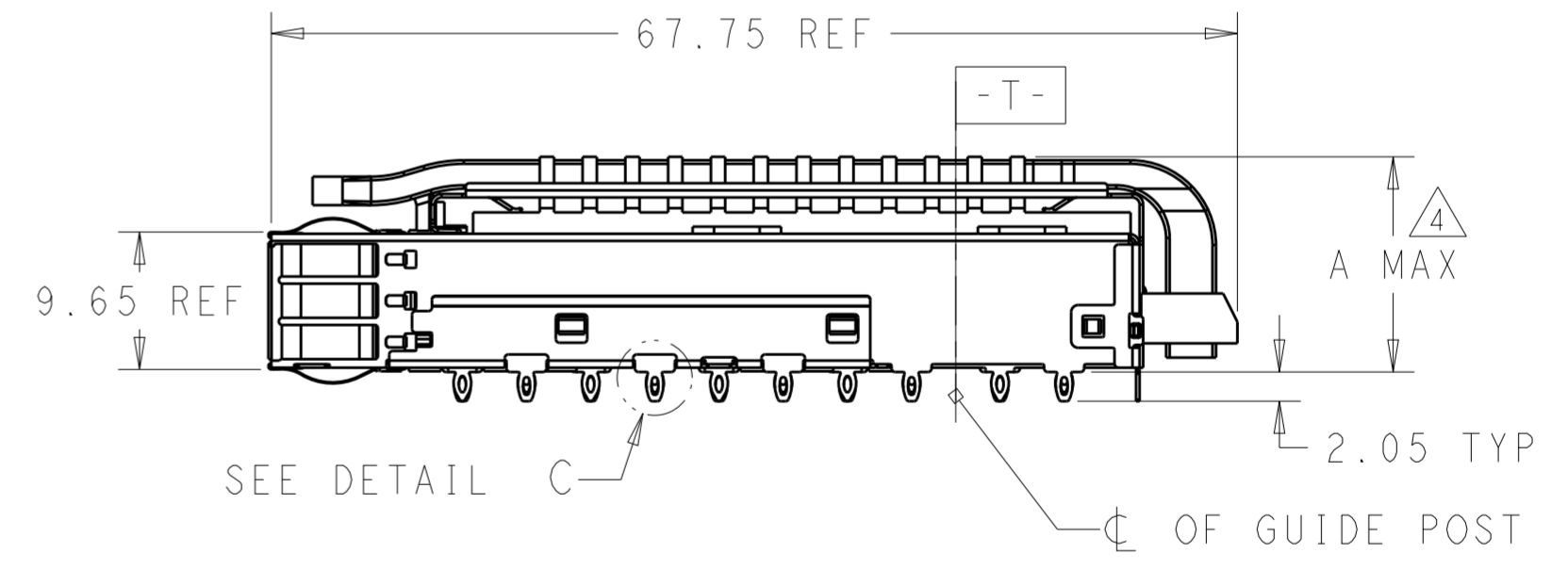
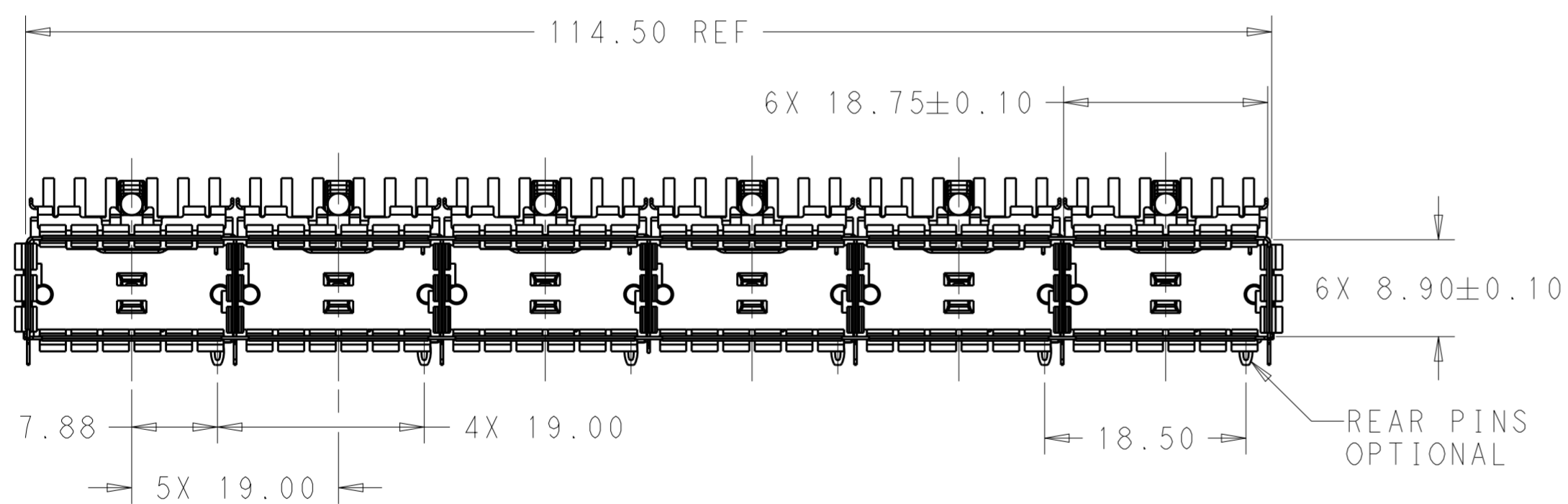


THIS DRAWING IS UNPUBLISHED. RELEASED FOR PUBLICATION 20
 © COPYRIGHT 20 BY - ALL RIGHTS RESERVED.

LOC	DIST	REVISIONS					
GP	00	P	LTR	DESCRIPTION	DATE	DWN	APVD
		1		PRELIMINARY	24OCT2013	JY	-
		2		UPDATE	05DEC2013	JY	-
		3		UPDATE HEAT SINK AND LIGHT PIPE	18MAR2014	JY	-



1. COMPONENTS
 CAGE ASSEMBLY: NICKEL-SILVER ALLOY
 HEAT SINK: ALUMINUM/BLACK ANODIZE
 HEAT SINK CLIP: STAINLESS STEEL
 EMI SPRING: COPPER ALLOY/NICKEL PLATE
 LIGHT PIPE: CLEAR POLYCARBONATE WITH UL 94 V-0
 ORGANIZER: POLYESTER WITH UL 94 V-0
2. REFERENCE APPLICATION SPECIFICATION 114-***** FOR RECOMMENDED DRILL HOLE DIAMETER AND PLATING THICKNESS
3. DATUM AND BASIC DIMENSION ESTABLISHED BY CUSTOMER
4. DIMENSION APPLIES WITH MODULE INSERTED IN CAGE
5. HEAT SINKS, HEAT SINK CLIPS AND LIGHT PIPES ARE SHIPPED ASSEMBLED ON CAGE
6. MINIMUM PC BOARD THICKNESS: SINGLE SIDED: 1.57 MIN
 DOUBLE SIDED: 3.00 MIN
7. DATUM -A- IS TOP SURFACE OF THE HOST BOARD.
8. THESE HOLES ARE OPTIONAL WHEN THE REAR PINS ARE REMOVED.
9. MATES WITH QSFP28 MSA COMPATIBLE TRANSCEIVER.
10. DATE CODE (YYWW) MARKED APPROXIMATELY AS SHOWN.
11. NOTED DIMENSIONS ONLY APPLY TO CAGE ASSEMBLY WITH LIGHT PIPE.



DETAIL C
 SCALE 6:1

SCALE 2:1

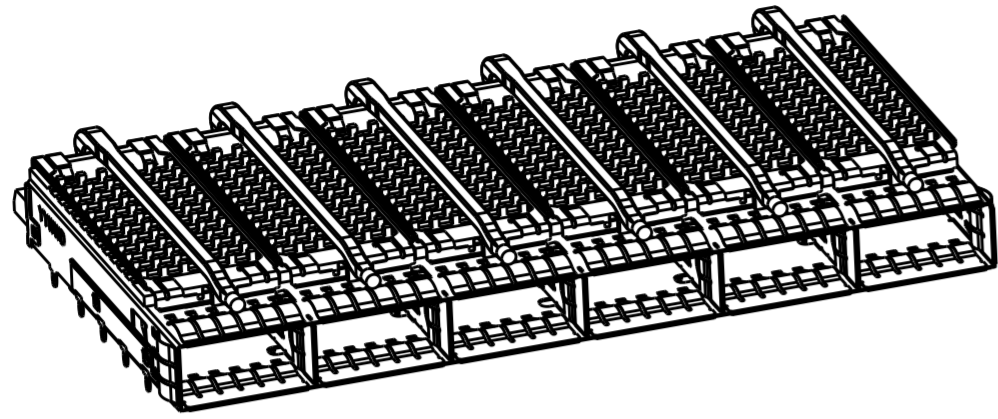
PRELIMINARY PART- NOT RELEASED FOR PRODUCTION

THIS DRAWING IS A CONTROLLED DOCUMENT.		DWN	24OCT2013	STE TE Connectivity
		CHK	JASON YANG	
		APVD	-	
DIMENSIONS:	TOLERANCES UNLESS OTHERWISE SPECIFIED:	PRODUCT SPEC	NAME	
mm	0 PLC ± 1 PLC ±0.25 2 PLC ±0.2 3 PLC ± 4 PLC ± ANGLES ± FINISH ±	-	CAGE ASSEMBLY, 1X6, QSFP28 WITH HEAT SINKS AND LIGHT PIPES, THRU BEZEL, EMI SPRING	
MATERIAL	SEE NOTES	APPLICATION SPEC	SIZE	CAGE CODE
		-	A200779	DRAWING NO
		WEIGHT	C-2170708	RESTRICTED TO
		Customer Drawing	SCALE 3:1	SHEET 1 OF 9 REV 3

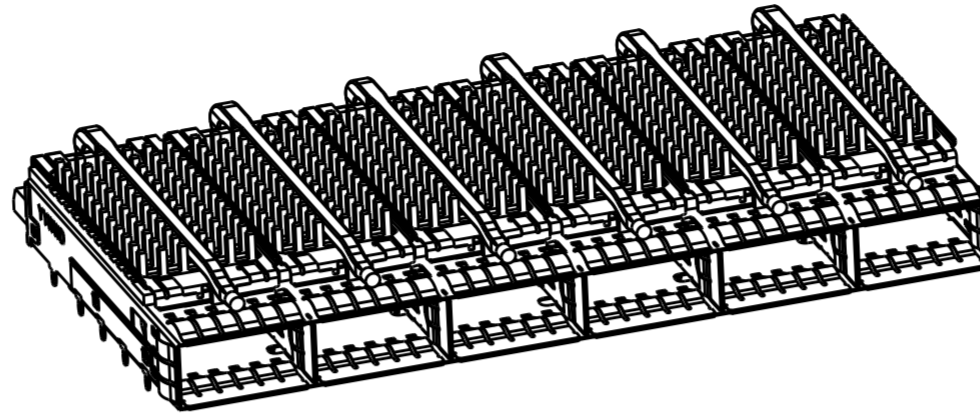
THIS DRAWING IS UNPUBLISHED. RELEASED FOR PUBLICATION 20
 © COPYRIGHT 20 BY - ALL RIGHTS RESERVED.

LOC	DIST	REVISIONS					
GP	00	P	LTR	DESCRIPTION	DATE	DWN	APVD
		-		SEE SHEET 1			

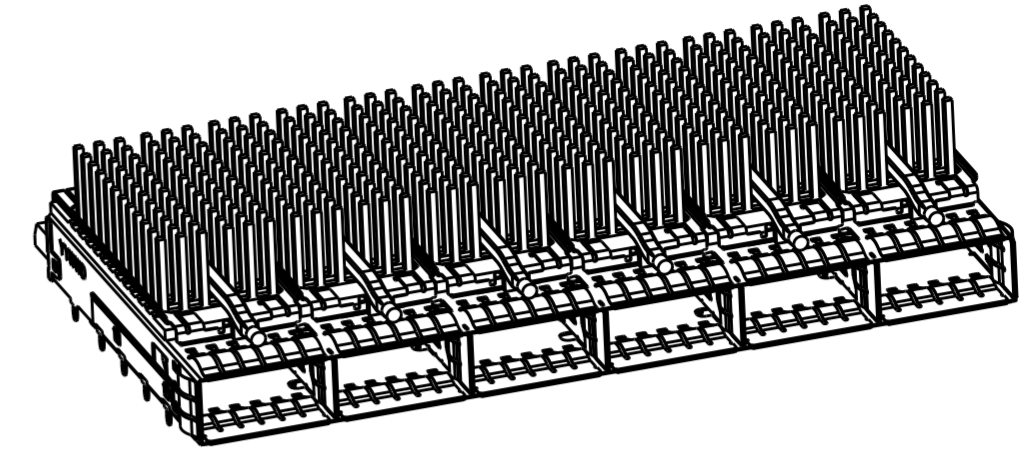
HEAT SINK OPTION



PCI HEAT SINK
SCALE 1:1

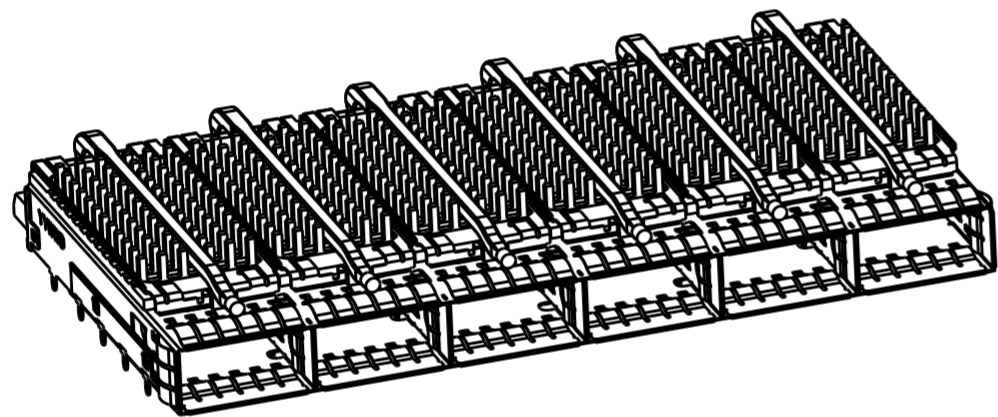


SAN HEAT SINK
SCALE 1:1

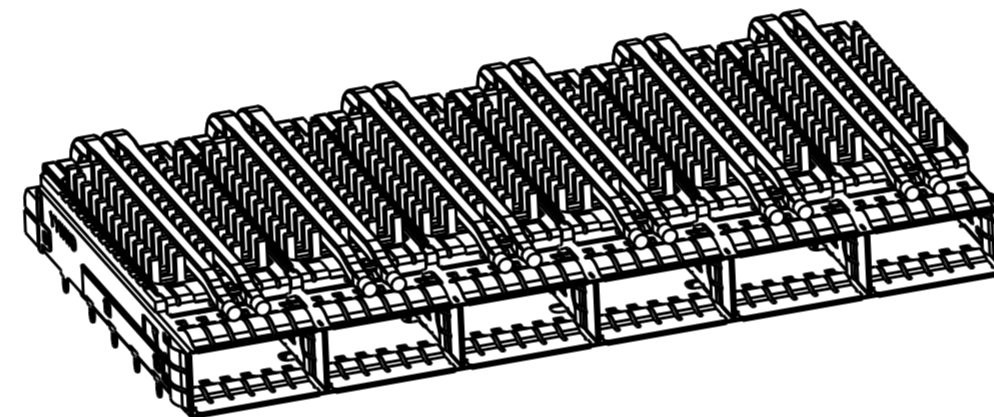


NETWORKING
SCALE 1:1

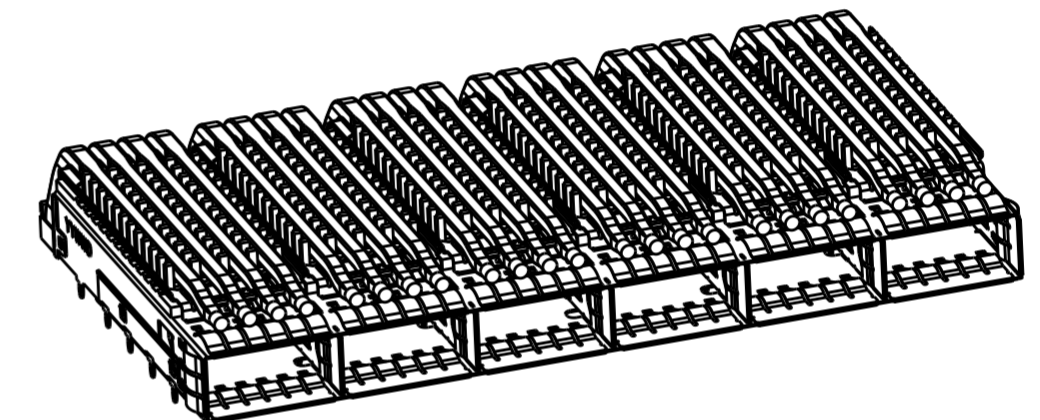
LIGHT PIPE OPTION



SINGLE LIGHT PIPE
SCALE 1:1

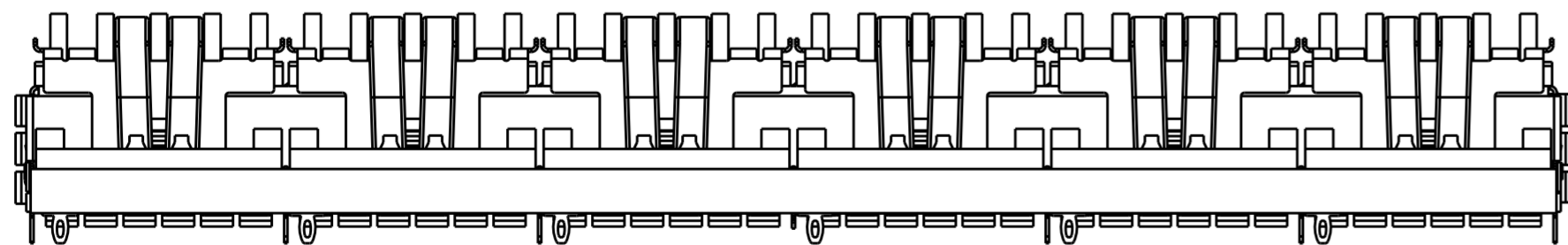


DUAL LIGHT PIPE
SCALE 1:1

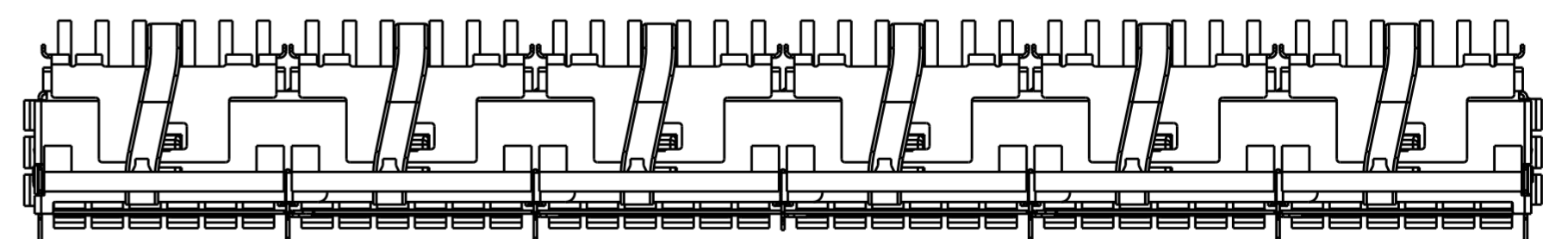


QUAD LIGHT PIPE
SCALE 1:1

OF REAR LEGS OPTIONS



1 REAR LEGS
SCALE 2:1



0 REAR LEGS
SCALE 2:1

PRELIMINARY PART - NOT RELEASED FOR PRODUCTION

THIS DRAWING IS A CONTROLLED DOCUMENT.		DWN 24OCT2013 JASON YANG	TE Connectivity	
DIMENSIONS: mm		CHK -		
TOLERANCES UNLESS OTHERWISE SPECIFIED:		APVD -	CAGE ASSEMBLY, 1X6, QSFP28 WITH HEAT SINKS AND LIGHT PIPES, THRU BEZEL, EMI SPRING	
0 PLC ±-		PRODUCT SPEC -	SIZE	
1 PLC ±0.25		APPLICATION SPEC -	CAGE CODE	
2 PLC ±0.2		WEIGHT -	DRAWING NO	
3 PLC ±-		Customer Drawing	A200779	
4 PLC ±-		SCALE 3:1	C-217078	
ANGLES ±-		SHEET 2 OF 9	REV 3	
FINISH ±-				
SEE NOTES				

THIS DRAWING IS UNPUBLISHED. RELEASED FOR PUBLICATION 20
 © COPYRIGHT 20 BY - ALL RIGHTS RESERVED.

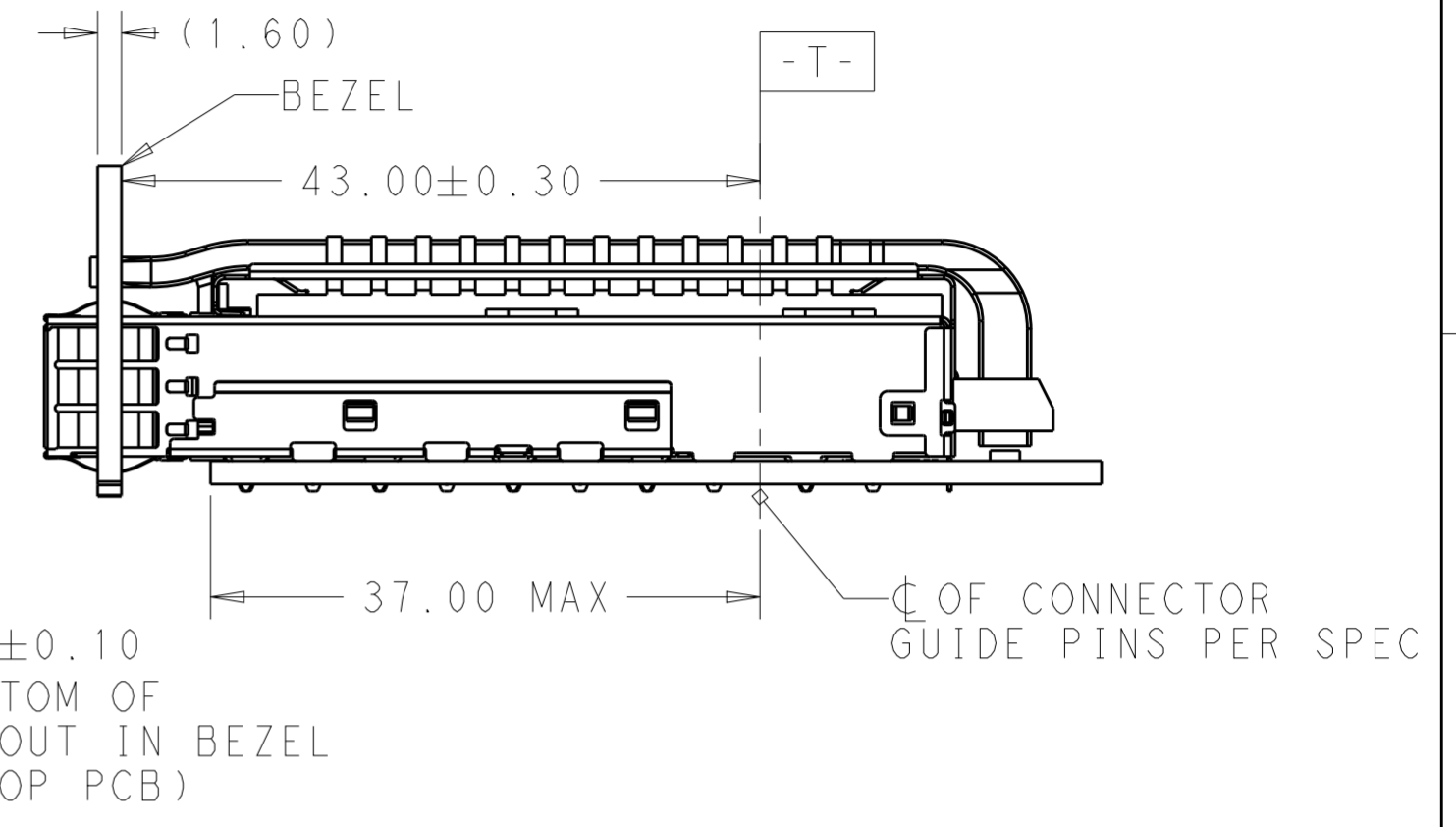
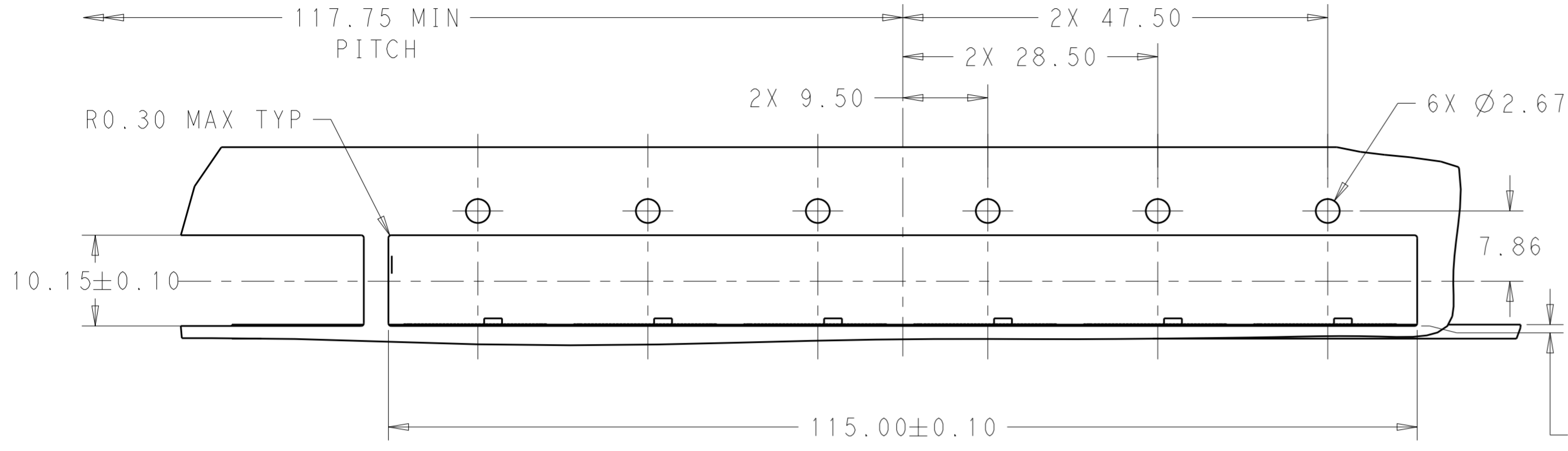
LOC	DIST	REVISIONS			
P	LTR	DESCRIPTION	DATE	DWN	APVD
GP	00	-	SEE SHEET 1	-	-

0	23.0	NETWORKING	QUAD	4-2170708-6
0	16.0	SAN	QUAD	4-2170708-5
0	13.7	PCI	QUAD	4-2170708-4
1	23.0	NETWORKING	QUAD	4-2170708-3
1	16.0	SAN	QUAD	4-2170708-2
1	13.7	PCI	QUAD	4-2170708-1
0	23.0	NETWORKING	DUAL	2-2170708-6
0	16.0	SAN	DUAL	2-2170708-5
0	13.7	PCI	DUAL	2-2170708-4
1	23.0	NETWORKING	DUAL	2-2170708-3
1	16.0	SAN	DUAL	2-2170708-2
1	13.7	PCI	DUAL	2-2170708-1
0	23.0	NETWORKING	SINGLE	2170708-6
0	16.0	SAN	SINGLE	2170708-5
0	13.7	PCI	SINGLE	2170708-4
1	23.0	NETWORKING	SINGLE	2170708-3
1	16.0	SAN	SINGLE	2170708-2
1	13.7	PCI	SINGLE	2170708-1
# OF REAR PIN	DIM A	APPLICATION	LIGHT PIPE OPTION	PART NUMBER

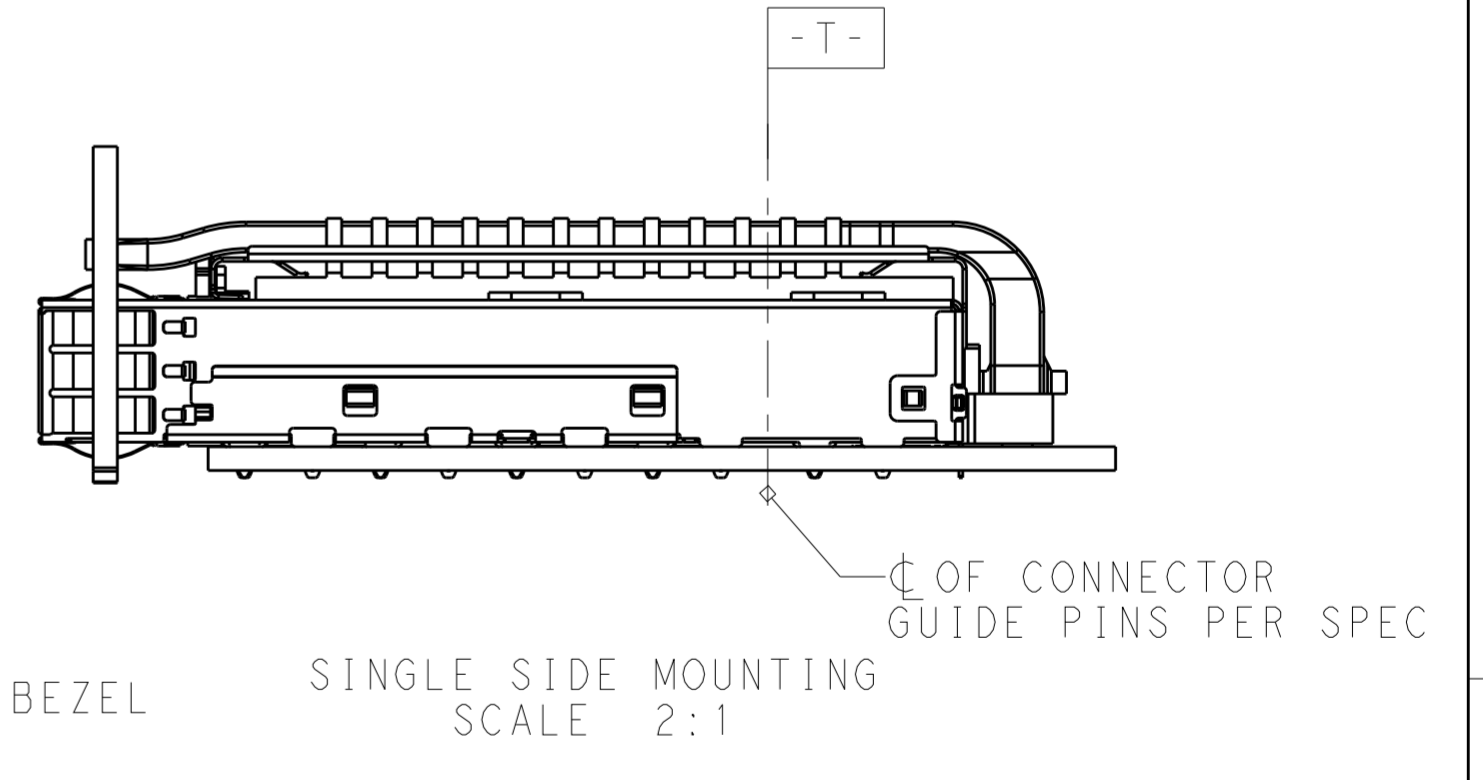
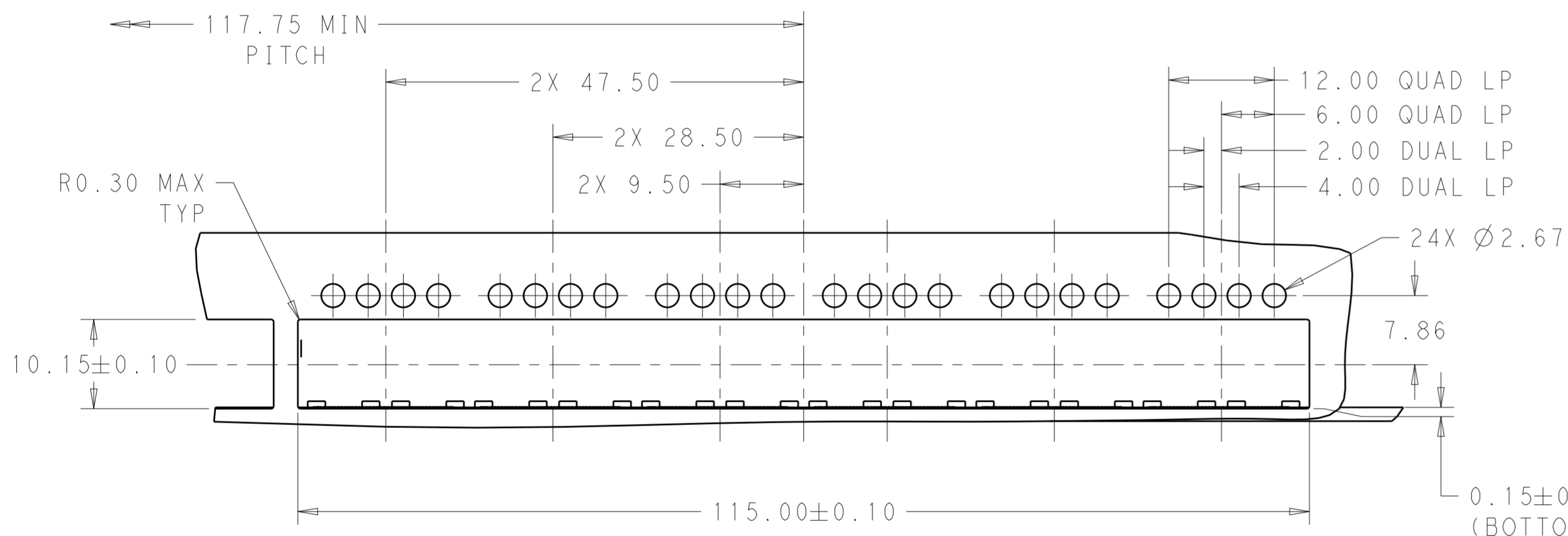
THIS DRAWING IS A CONTROLLED DOCUMENT.		DWN 24OCT2013 JASON YANG	STE TE Connectivity	
DIMENSIONS: mm		CHK - APVD -		
TOLERANCES UNLESS OTHERWISE SPECIFIED: 0 PLC ± 1 PLC ±0.25 2 PLC ±0.2 3 PLC ± 4 PLC ± ANGLES ± FINISH		PRODUCT SPEC - APPLICATION SPEC - WEIGHT -	NAME CAGE ASSEMBLY, 1X6, QSFP28 WITH HEAT SINKS AND LIGHT PIPES, THRU BEZEL, EMI SPRING	
MATERIAL SEE NOTES		SIZE A200779	DRAWING NO C-2170708	RESTRICTED TO -
SEE NOTES		SCALE 3:1	SHEET 3 OF 9	REV 3

THIS DRAWING IS UNPUBLISHED. RELEASED FOR PUBLICATION 20
 © COPYRIGHT 20 BY - ALL RIGHTS RESERVED.

LOC	DIST	REVISIONS					
GP	00	P	LTR	DESCRIPTION	DATE	DWN	APVD
		-		SEE SHEET 1			



SINGLE SIDE MOUNTING
SCALE 2:1



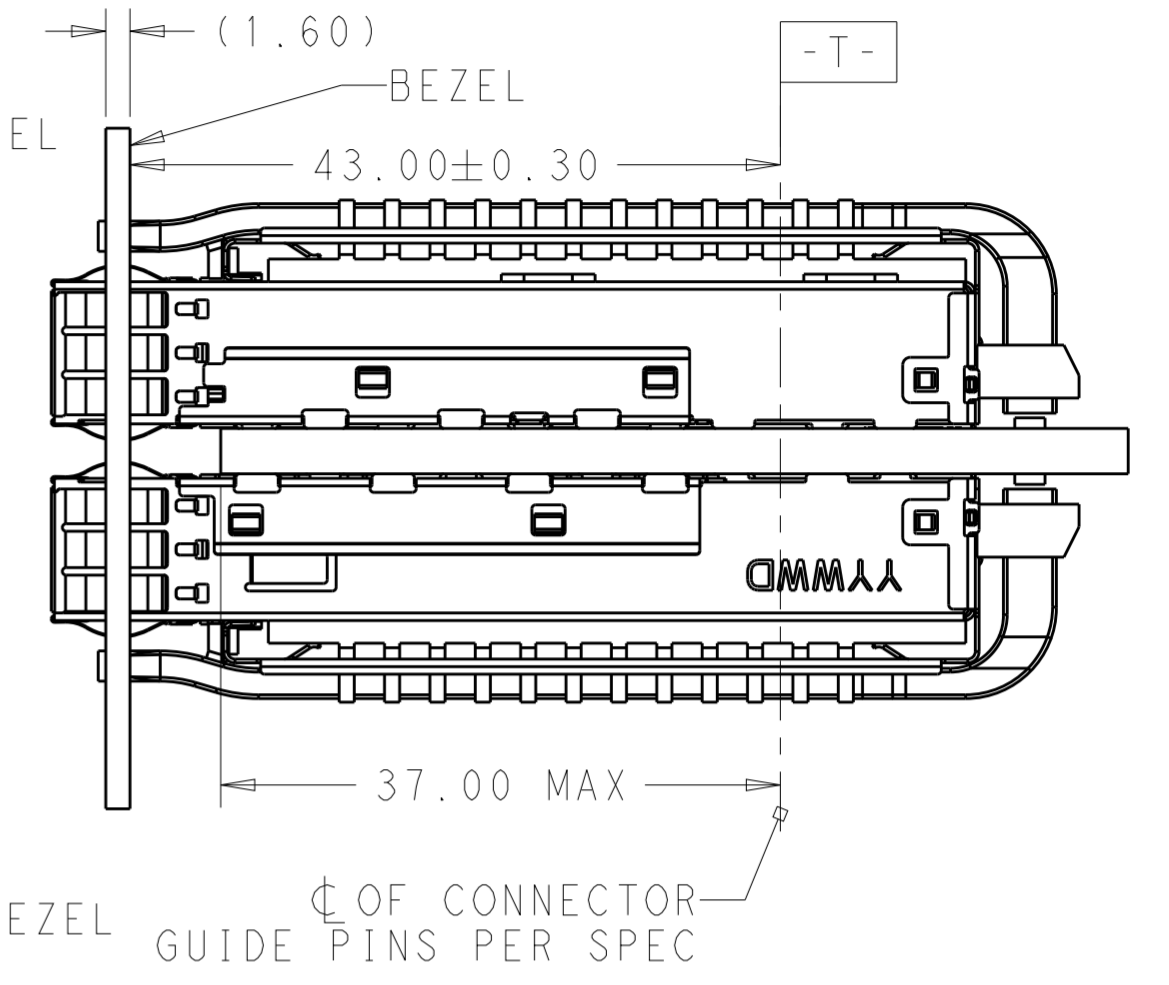
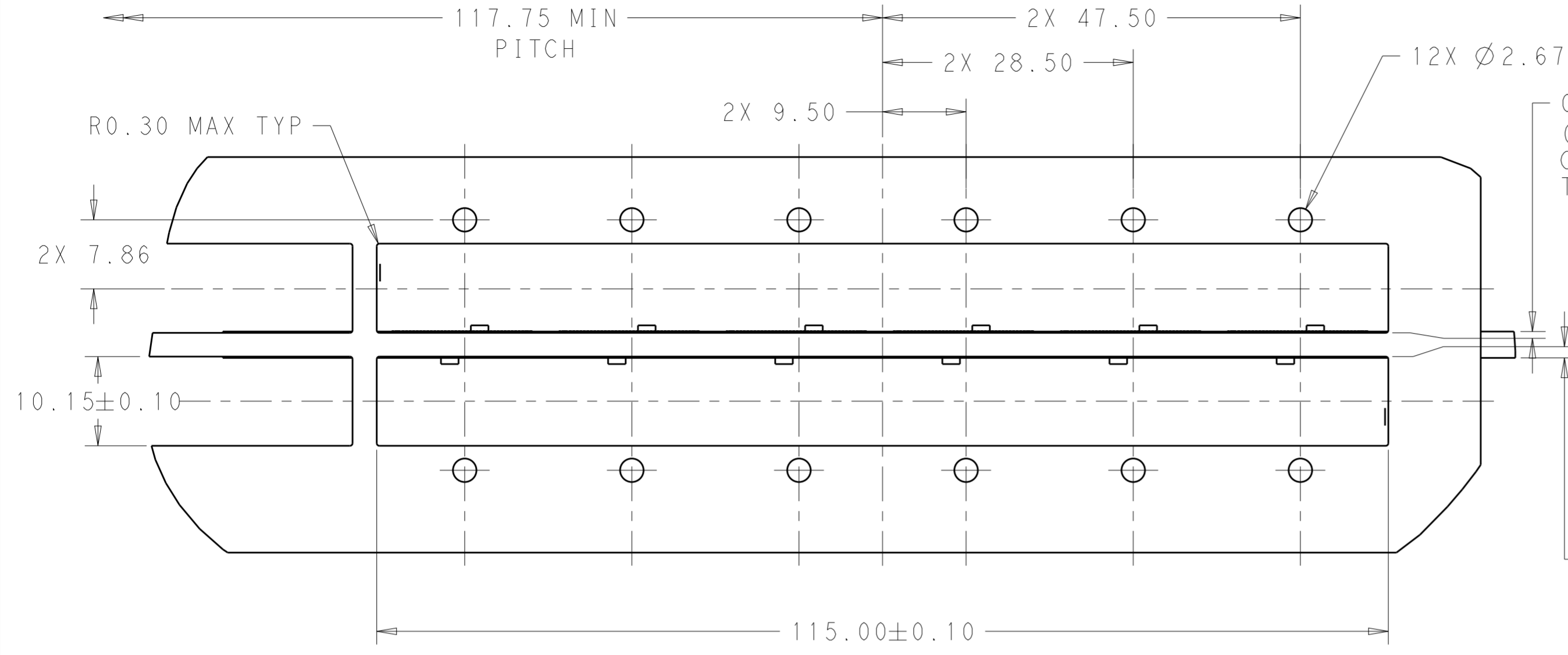
SINGLE SIDE MOUNTING
SCALE 2:1

PRELIMINARY PART- NOT RELEASED FOR PRODUCTION

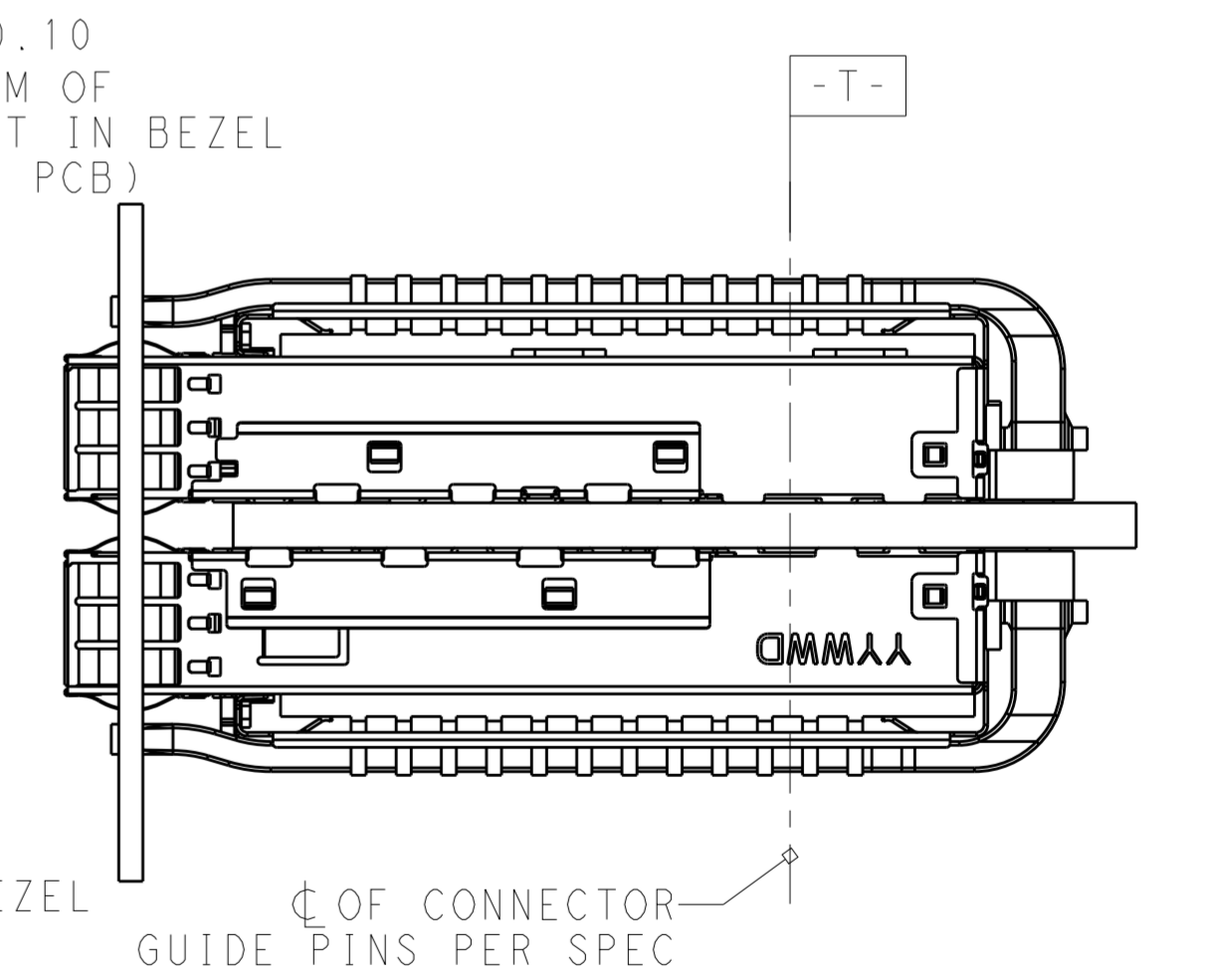
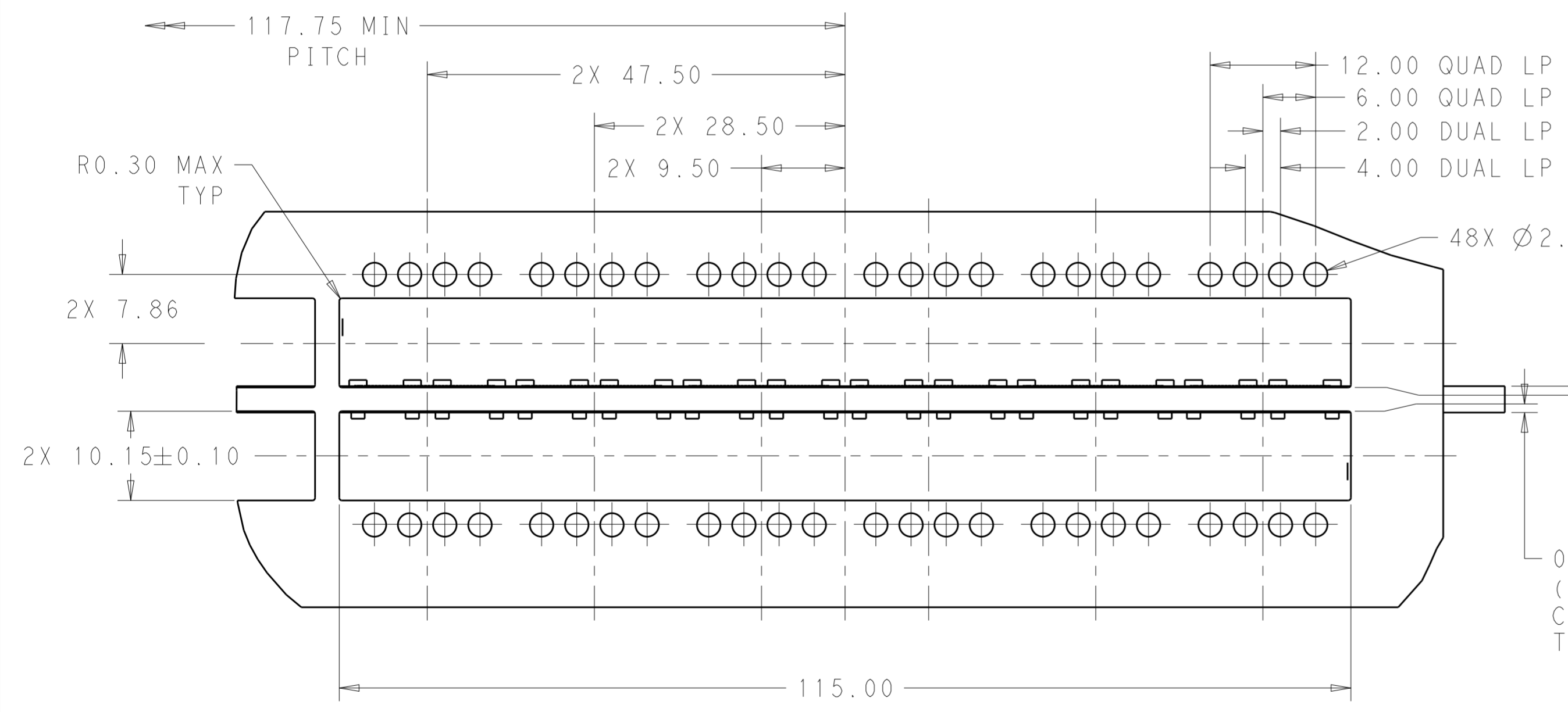
THIS DRAWING IS A CONTROLLED DOCUMENT.		DWN 24OCT2013 JASON YANG	TE Connectivity	
DIMENSIONS: mm		CHK -		
TOLERANCES UNLESS OTHERWISE SPECIFIED: 0 PLC ± 1 PLC ±0.25 2 PLC ±0.2 3 PLC ± 4 PLC ±		APVD -	PRODUCT SPEC -	SIZE A200779
MATERIAL SEE NOTES		ANGLES FINISH ±	APPLICATION SPEC -	DRAWING NO C-2170708
SEE NOTES		WEIGHT -	Customer Drawing	RESTRICTED TO -
			SCALE 3:1	SHEET 4 OF 9 REV 3

THIS DRAWING IS UNPUBLISHED. RELEASED FOR PUBLICATION 20
 © COPYRIGHT 20 BY - ALL RIGHTS RESERVED.

LOC	DIST	REVISIONS					
GP	00	P	LTR	DESCRIPTION	DATE	DWN	APVD
		-		SEE SHEET 1			



BELLY TO BELLY MOUNTING
SCALE 2:1

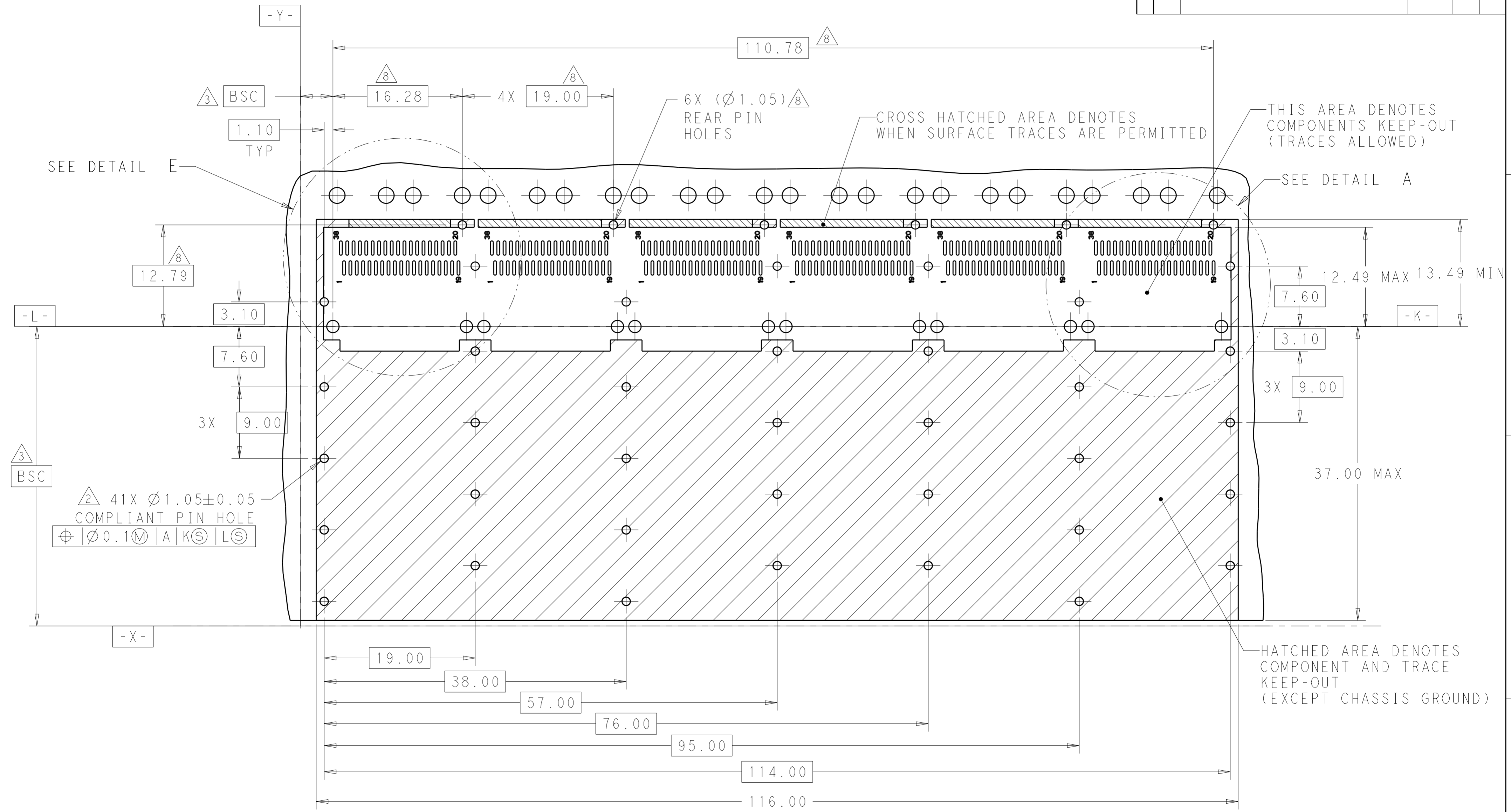


BELLY TO BELLY MOUNTING
SCALE 2:1

THIS DRAWING IS A CONTROLLED DOCUMENT.		DWN 24OCT2013 JASON YANG	TE Connectivity	
DIMENSIONS: mm		CHK -		
TOLERANCES UNLESS OTHERWISE SPECIFIED:		APVD -	CAGE ASSEMBLY, 1X6, QSFP28 WITH HEAT SINKS AND LIGHT PIPES, THRU BEZEL, EMI SPRING	
0 PLC ± 1 PLC ±0.25 2 PLC ±0.2 3 PLC ± 4 PLC ± ANGLES ± FINISH ±		PRODUCT SPEC -	SIZE	
MATERIAL		APPLICATION SPEC -	CAGE CODE	
SEE NOTES		WEIGHT -	DRAWING NO	
SEE NOTES		Customer Drawing	A200779	
		SCALE 3:1	DRAWING NO C-2170708	
		SHEET 5 OF 9	RESTRICTED TO -	
		REV 3		

THIS DRAWING IS UNPUBLISHED. RELEASED FOR PUBLICATION 20
 © COPYRIGHT 20 BY - ALL RIGHTS RESERVED.

LOC	DIST	REVISIONS					
GP	00	P	LTR	DESCRIPTION	DATE	DWN	APVD
		-		SEE SHEET 1			

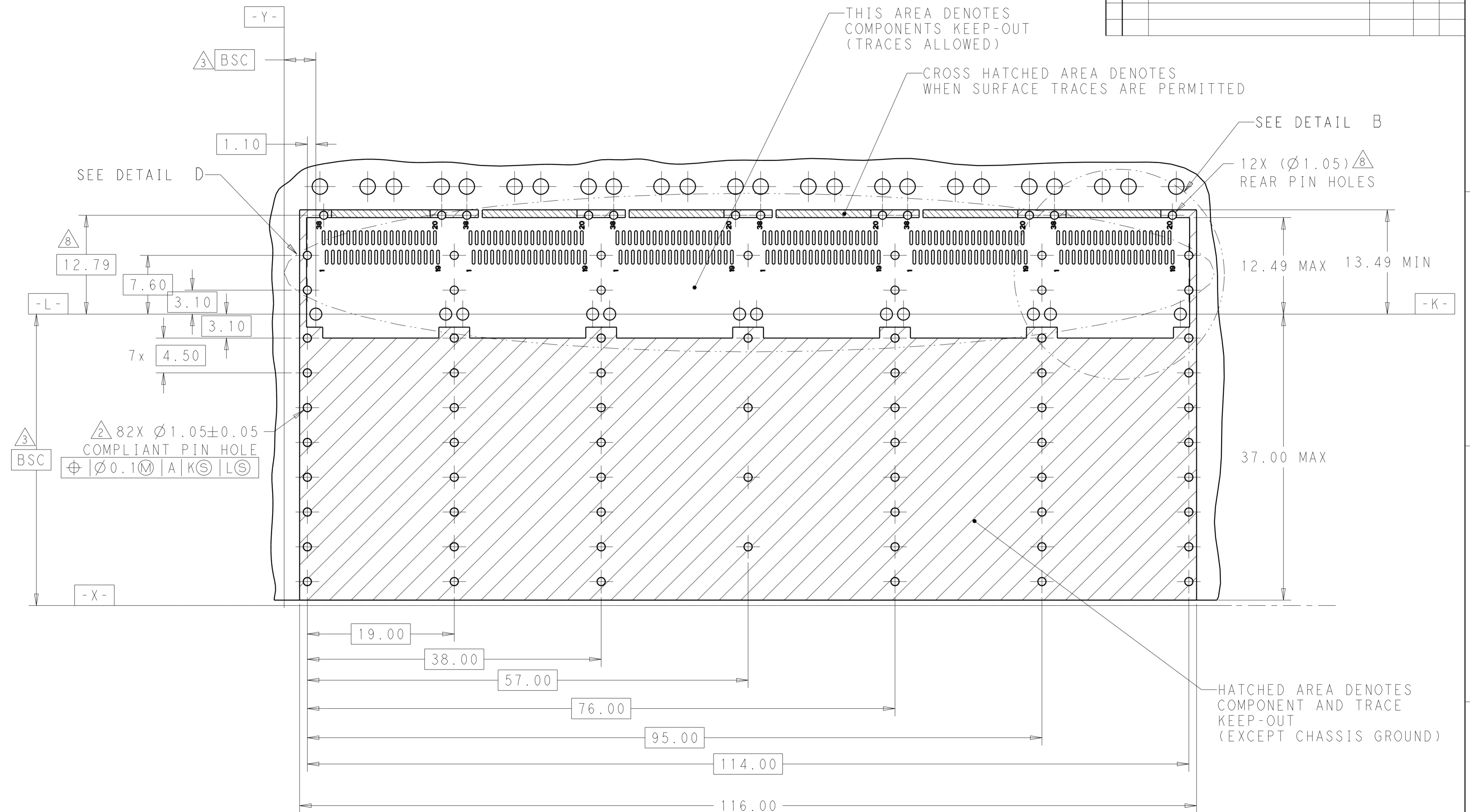


RECOMMENDED PCB LAYOUT
 SINGLE TYPE
 PCB TOLERANCE: ±0.05
 SCALE 3:1

THIS DRAWING IS A CONTROLLED DOCUMENT.		DWN 24OCT2013	STE TE Connectivity
DIMENSIONS: mm		CHK JASON YANG	
TOLERANCES UNLESS OTHERWISE SPECIFIED:		APVD	NAME
0 PLC ±	1 PLC ±0.25	PRODUCT SPEC	CAGE ASSEMBLY, 1X6, QSFP28 WITH HEAT SINKS AND LIGHT PIPES, THRU BEZEL, EMI SPRING
2 PLC ±0.2	3 PLC ±	APPLICATION SPEC	SIZE CAGE CODE DRAWING NO
4 PLC ±	ANGLES ±	WEIGHT	A200779 C-2170708
FINISH ±	SEE NOTES	Customer Drawing	RESTRICTED TO
MATERIAL		SCALE 3:1	SHEET 6 OF 9
SEE NOTES		REV 3	

THIS DRAWING IS UNPUBLISHED. RELEASED FOR PUBLICATION 20
 BY - ALL RIGHTS RESERVED.

LOC	DIST	REVISIONS					
GP	00	P	LTR	DESCRIPTION	DATE	DWN	APVD
		-		SEE SHEET 1		-	-



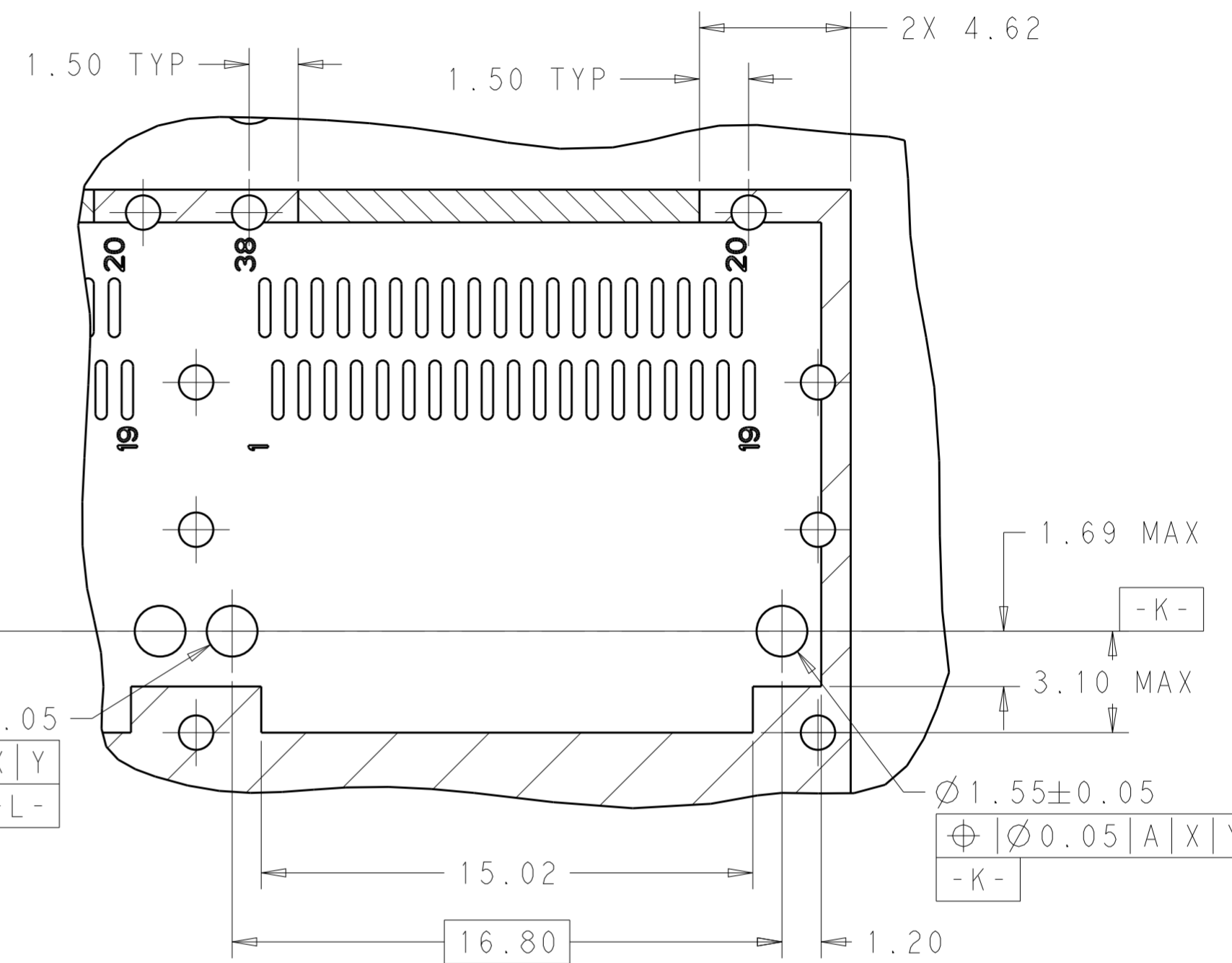
RECOMMENDED PCB LAYOUT
 BELLY TO BELLY TYPE
 PCB TOLERANCE: ±0.05
 SCALE 3:1

PRELIMINARY PART- NOT RELEASED FOR PRODUCTION

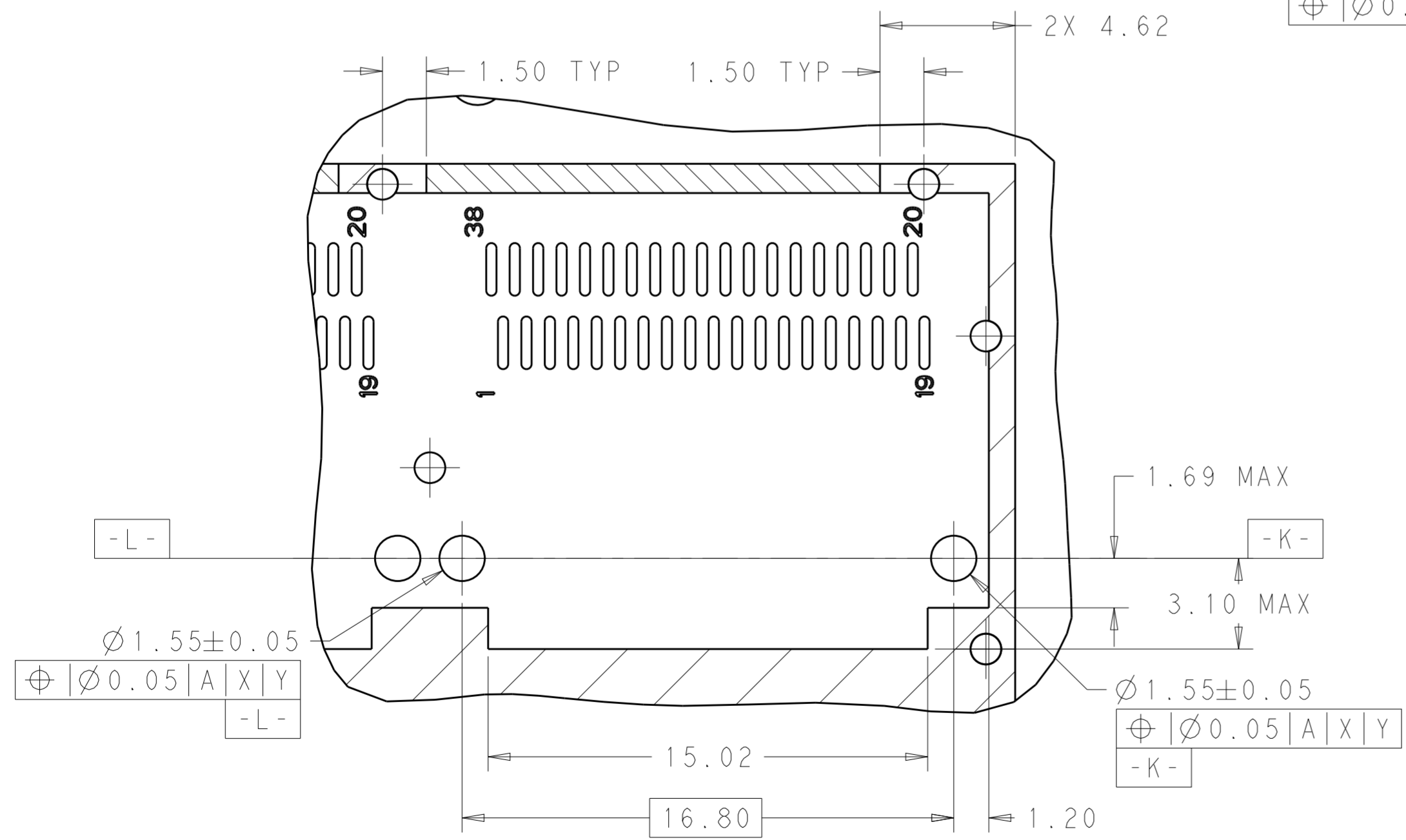
THIS DRAWING IS A CONTROLLED DOCUMENT.		DWN 24OCT2013	STE TE Connectivity
DIMENSIONS: mm		CHK JASON YANG	
TOLERANCES UNLESS OTHERWISE SPECIFIED:		APVD -	NAME
0 PLC ±	1 PLC ±0.25	PRODUCT SPEC -	CAGE ASSEMBLY, 1X6, QSFP28 WITH HEAT SINKS AND LIGHT PIPES, THRU BEZEL, EMI SPRING
2 PLC ±0.2	3 PLC ±	APPLICATION SPEC -	SIZE CAGE CODE DRAWING NO
4 PLC ±	ANGLES ±	WEIGHT -	A200779 C-217078
MATERIAL FINISH		Customer Drawing	RESTRICTED TO
SEE NOTES		SCALE 3:1	SHEET 7 OF 9 REV 3

THIS DRAWING IS UNPUBLISHED. RELEASED FOR PUBLICATION 20
 © COPYRIGHT 20 BY - ALL RIGHTS RESERVED.

LOC	DIST	REVISIONS					
GP	00	P	LTR	DESCRIPTION	DATE	DWN	APVD
		-		SEE SHEET 1			



DETAIL B
SCALE 6:1



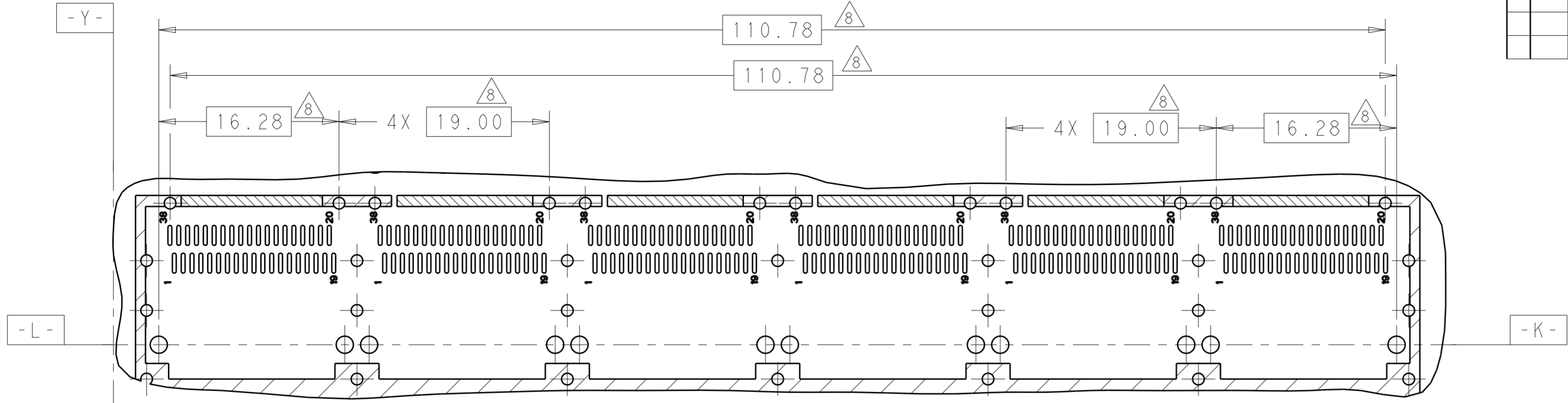
DETAIL A
SCALE 6:1

PRELIMINARY PART- NOT RELEASED FOR PRODUCTION

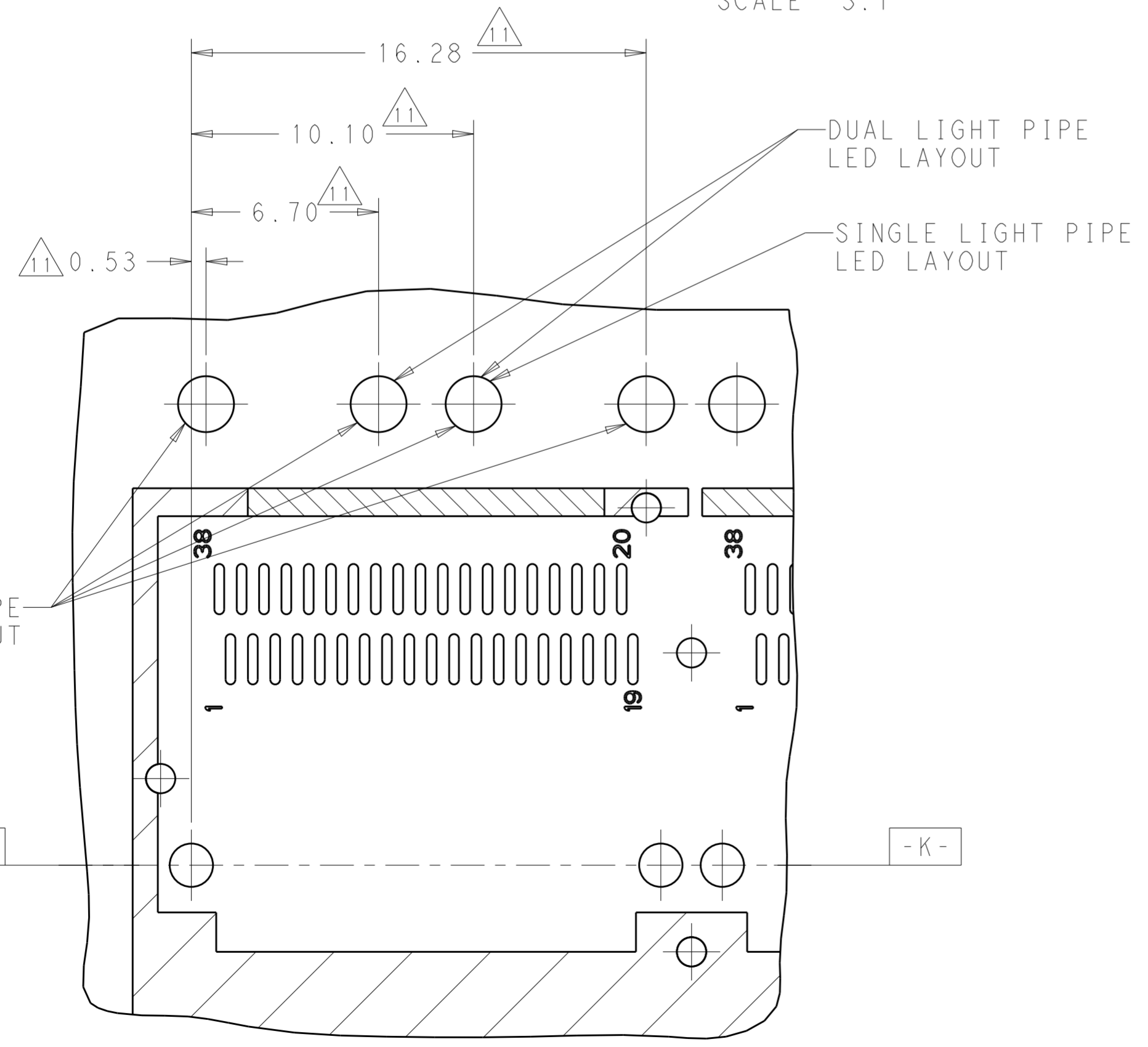
THIS DRAWING IS A CONTROLLED DOCUMENT.		DWN 24OCT2013 JASON YANG	TE Connectivity	
DIMENSIONS: mm		CHK -		
TOLERANCES UNLESS OTHERWISE SPECIFIED:		APVD -	CAGE ASSEMBLY, 1X6, QSFP28 WITH HEAT SINKS AND LIGHT PIPES, THRU BEZEL, EMI SPRING	
0 PLC ±	1 PLC ±0.25	PRODUCT SPEC	SIZE	
2 PLC ±0.2	3 PLC ±	APPLICATION SPEC	CAGE CODE	
4 PLC ±	ANGLES ±	WEIGHT	DRAWING NO	
FINISH	SEE NOTES	Customer Drawing	A200779C-2170708	
MATERIAL		SCALE 3:1	SHEET 8 OF 9	
SEE NOTES		REV 3		

THIS DRAWING IS UNPUBLISHED. RELEASED FOR PUBLICATION 20
 © COPYRIGHT 20 BY - ALL RIGHTS RESERVED.

LOC	DIST	REVISIONS					
GP	00	P	LTR	DESCRIPTION	DATE	DWN	APVD
		-		SEE SHEET 1			



DETAIL D
SCALE 3:1



DETAIL E
SCALE 6:1

QUAD LIGHT PIPE LED LAYOUT

THIS DRAWING IS A CONTROLLED DOCUMENT.		DWN 24OCT2013 JASON YANG	TE Connectivity	
DIMENSIONS: mm		CHK -		
TOLERANCES UNLESS OTHERWISE SPECIFIED:		APVD -	CAGE ASSEMBLY, 1X6, QSFP28 WITH HEAT SINKS AND LIGHT PIPES, THRU BEZEL, EMI SPRING	
0 PLC ±		PRODUCT SPEC -	SIZE	
1 PLC ±0.25		APPLICATION SPEC -	CAGE CODE	
2 PLC ±0.2		WEIGHT -	DRAWING NO	
3 PLC ±		Customer Drawing	A200779	
4 PLC ±		SCALE 3:1	C-2170708	
ANGLES ±		SHEET 9 OF 9	RESTRICTED TO	
FINISH ±		REV 3		
MATERIAL				
SEE NOTES				