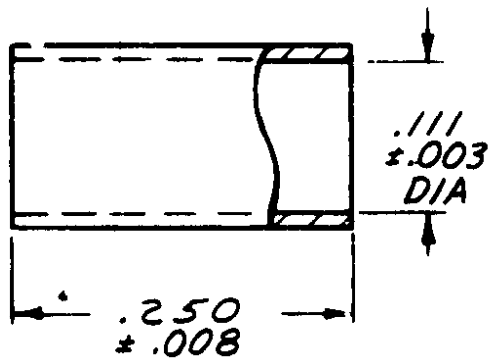


1-332056-0

RELEASED FOR PUBLICATION APRIL 1, 1965
 BY AMP INCORPORATED, HARRISBURG, PA. ALL INTERNATIONAL RIGHTS RESERVED. AMP PRODUCTS MAY BE COVERED BY U.S. AND FOREIGN PATENTS AND/OR PATENTS PENDING.

REVISIONS					
P	F	LTR	DESCRIPTION	DATE	APPROVED
	✓	F	REDRAWN	C83-769	4-4-84 <i>MS/JH</i>
		F1	REVISED PER ECO-14-016715	1-4-2015	GG/MC



- ① COPPER PER ASTM-B-152 OR ASTM-B16
- ② TIN PL PER MIL-T-10727

UNLESS OTHERWISE SPECIFIED DIMENSIONS ARE IN INCHES.
 TOLERANCES ON:
 FINISHES ±
 HOLE ±
 RADIUS ±

MATERIAL
 ①

FINISH
 ②

CONTRACT NO
 DR *M. Enard 4-4-84*
 CHK *D. Steide 4/6/84*
Robert Frank 4/6/84
M. Enard 4/6/84

DSGN APPD
 OTHER APPD

AMP | AMP INCORPORATED
 Harrisburg, Pa. 17105

NAME
FERRULE

SIZE **A** FSCM NO **00779** DRAWING NO **1-332056-0**

SCALE **NTS** SHEET

PART NO