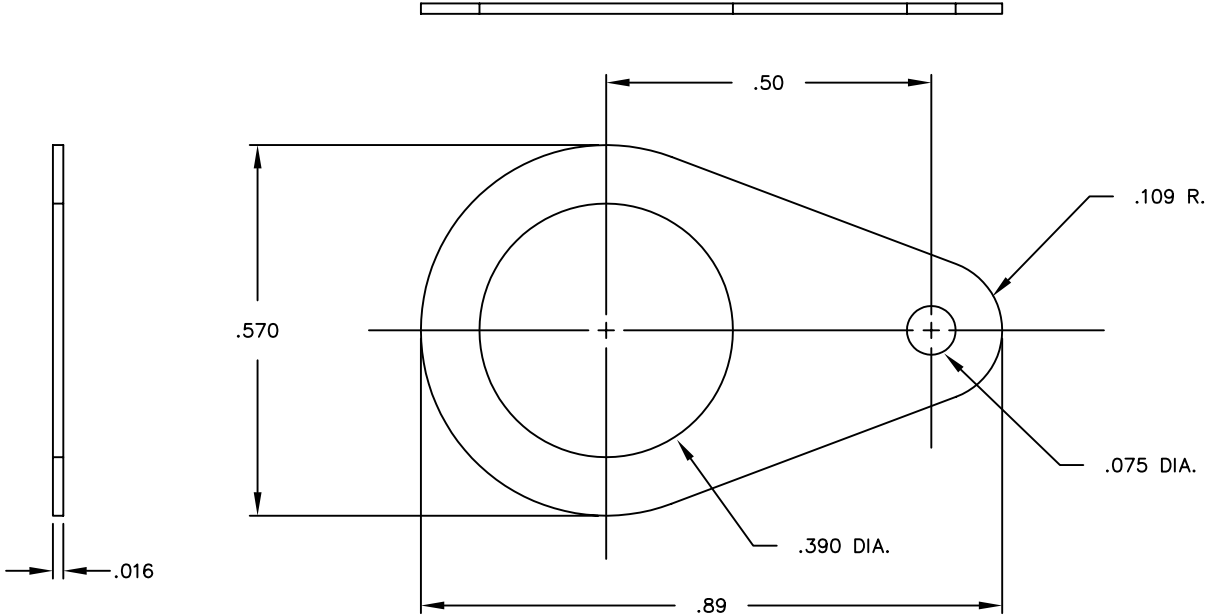


REVISIONS				
SYM	DESCRIPTION	REVISED BY	DATE	APPR



MATERIAL BRASS			FINISH ELECTRO TIN			ABBATRON Electronic Connectors and Hardware 632 Arch Street, Meadville, Pa. 16335		
DIMENSIONAL TOLERANCES UNLESS OTHERWISE SPECIFIED			TITLE 1497 GROUND LUG					
.XX	.XXX	.XXXX	DRAWN: J. TEASDALE DATE 9/19/94			SIZE	DRAWING NUMBER	ISSUE
----	----	----				B	SD-1497	B
FRACTIONS	ANGLES	SCALE	CHECKED: E. MCKINNEY DATE 9/28/94			APPROVED: M. KLOECKER DATE 9/29/94		
----	----	4:1	HEAT TREAT					
PLOT SCALE: 1:1			DATE 9/29/94					