

8 7 6 5 4 3 2 1

THIS DRAWING IS THE PROPERTY OF ANALOG DEVICES INC. IT IS NOT TO BE REPRODUCED OR COPIED, IN WHOLE OR IN PART, OR USED IN FURNISHING INFORMATION TO OTHERS, OR FOR ANY OTHER PURPOSE DETRIMENTAL TO THE INTERESTS OF ANALOG DEVICES. THE EQUIPMENT SHOWN HEREON MAY BE PROTECTED BY PATENTS OWNED OR CONTROLLED BY ANALOG DEVICES.

JUMPER TABLE

JP#	ON	OFF
1		
2		
3		
4		
5		

* SEE ASSEMBLY INSTRUCTIONS

REVISIONS

REV	DESCRIPTION	DATE	APPROVED
A	INITIAL RELEASE	XX/XX	X.X.

RELAY CONTROL CHART

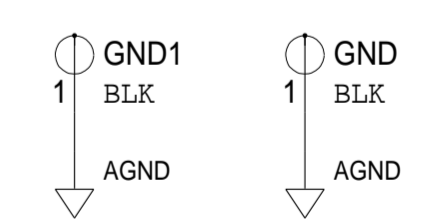
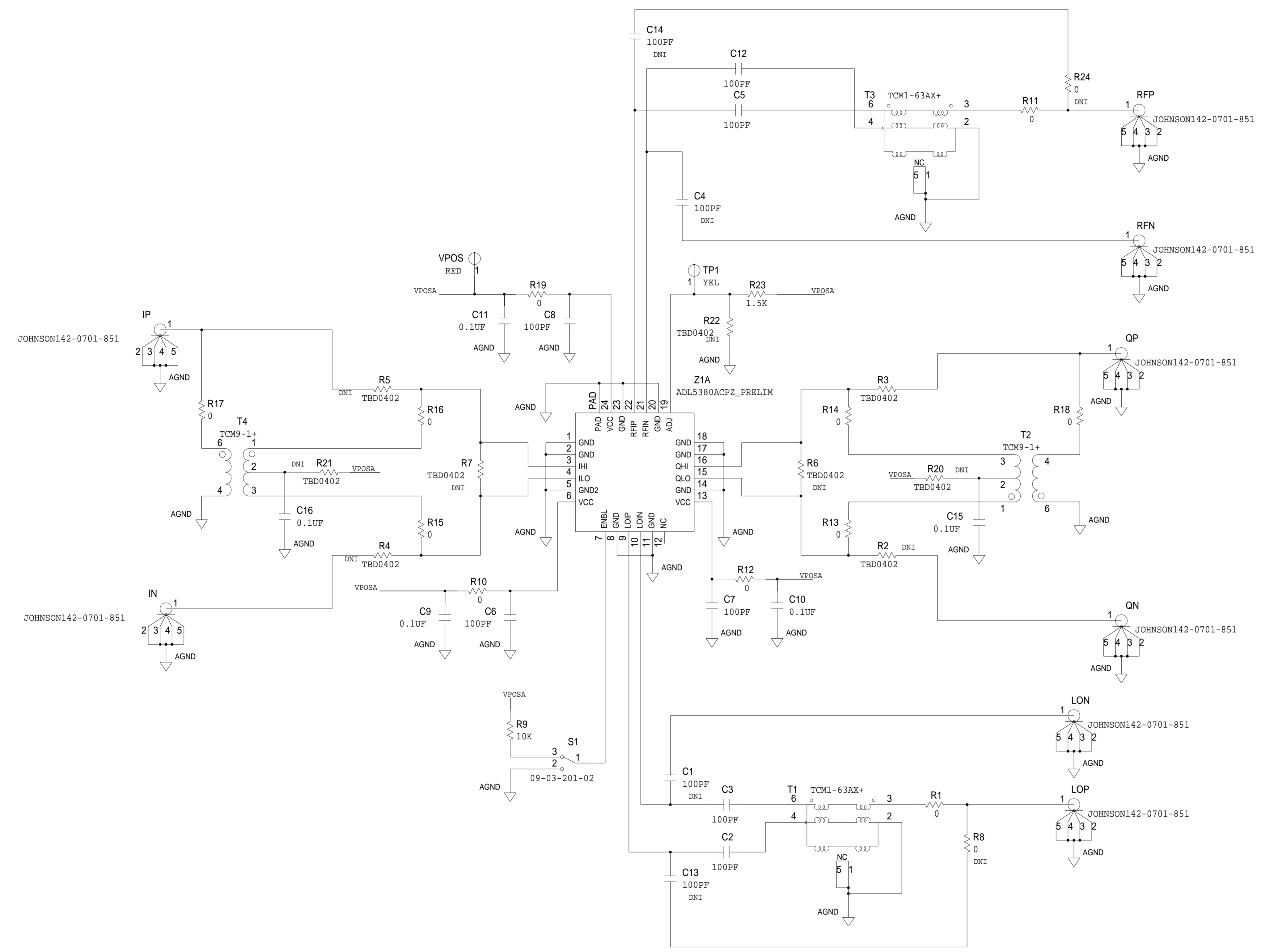
CONTROL	CODE	DEVICE	FUNCTION	CONNECTOR

TEMPLATE ENGINEER - HARDWARE SERVICES - HARDWARE SYSTEMS - TEST ENGINEER - COMPONENT ENGINEER - TEST PROCESS - HARDWARE RELEASE - DESIGNER - PTD ENGINEER <PTD_ENGINEER> CHECKER -	DATE MASTER PROJECT TEMPLATE <DRAWING_TITLE6> <small>UNLESS OTHERWISE SPECIFIED DIMENSIONS ARE IN INCHES</small> TOLERANCES DECIMALS X.XX +0.010 X.XXX +0.005 FRACTIONS +1/32 ANGLES +2	SCHEMATIC EVAL BOARD ADL5380 <PRODUCT_1> <DRAWING_TITLE1> <DRAWING_TITLE2> <DRAWING_TITLE3> <DRAWING_TITLE4> <DRAWING_TITLE5>		DRAWING NO. 02-037350 REV. A	SIZE D SCALE <SCALE> CODE ID NO. SHEET 1 OF 2
---	---	--	--	---------------------------------------	---

P.O SPEC.	BK/BD SPEC.	SOCKET OEM	OEM PART#	HANDLER

8 7 6 5 4 3 2 1

REVISIONS			
REV	DESCRIPTION	DATE	APPROVED



	SCHEMATIC		
	EVAL BOARD ADL5380 <PRODUCT_1>		
	DESIGN VIEW <DESIGN_VIEW>	DRAWING NO. 02-037350	REV A
	PTD ENGINEER <PTD_ENGINEER>	SIZE D	SCALE <SCALE>