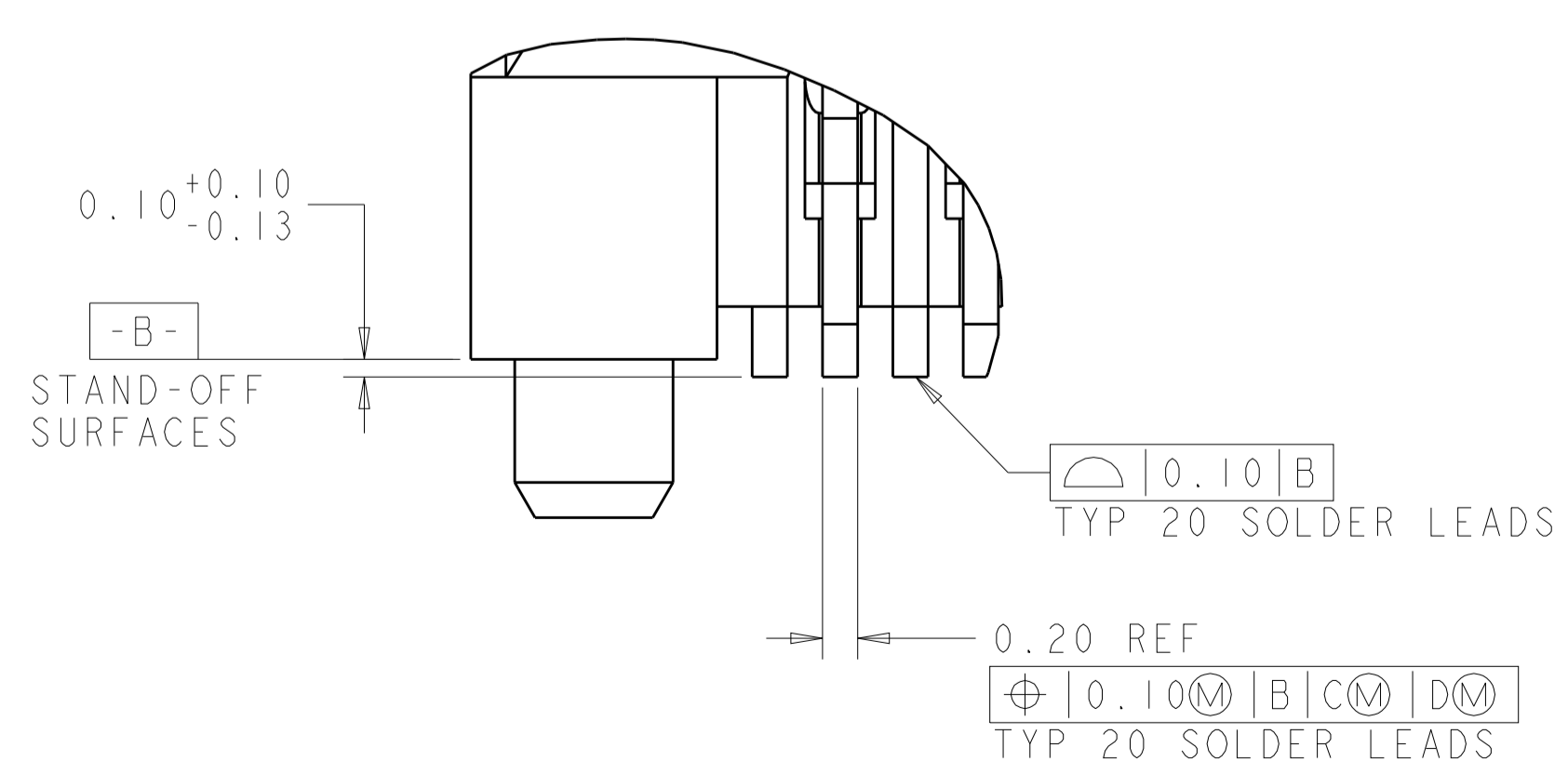
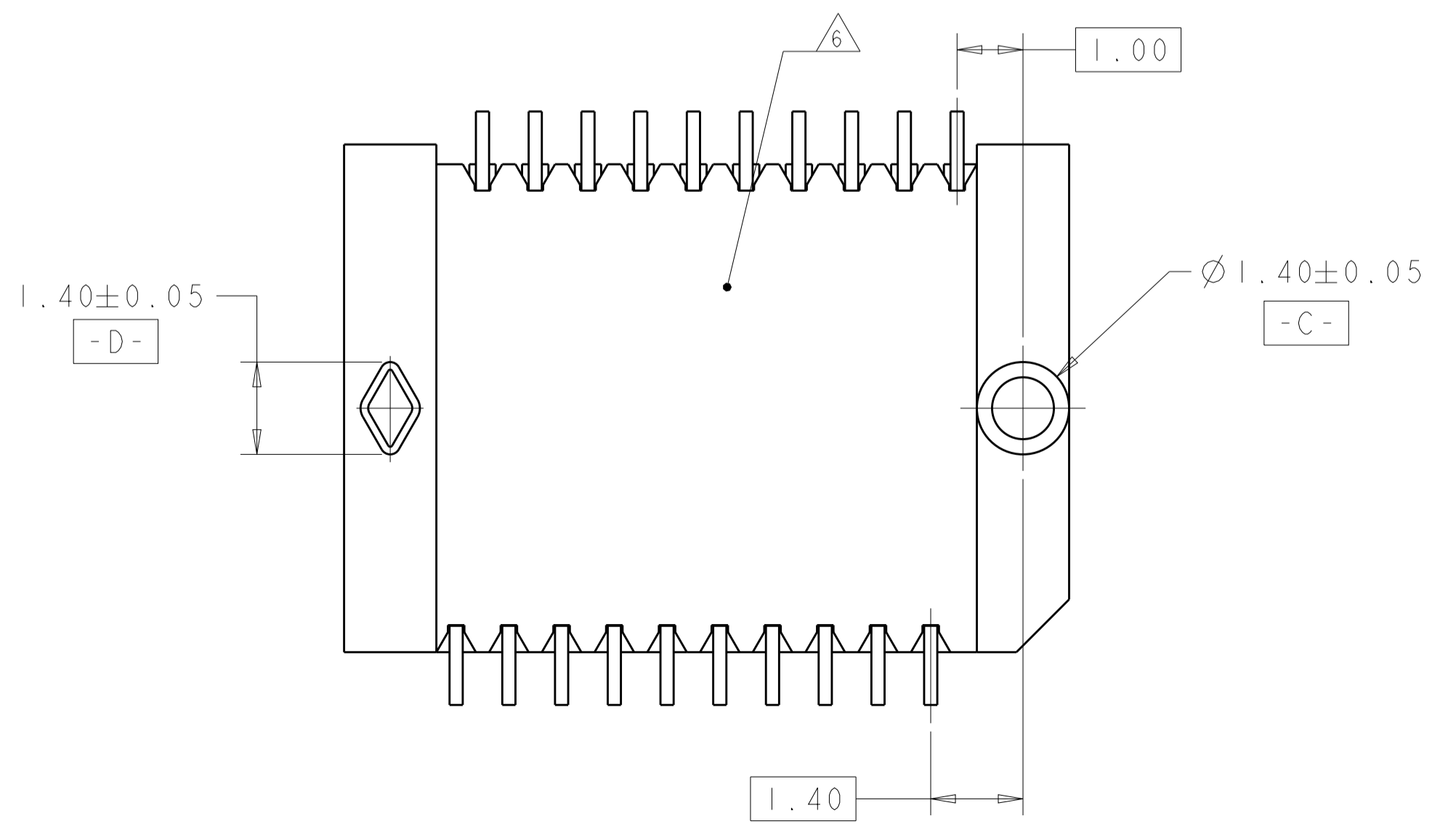
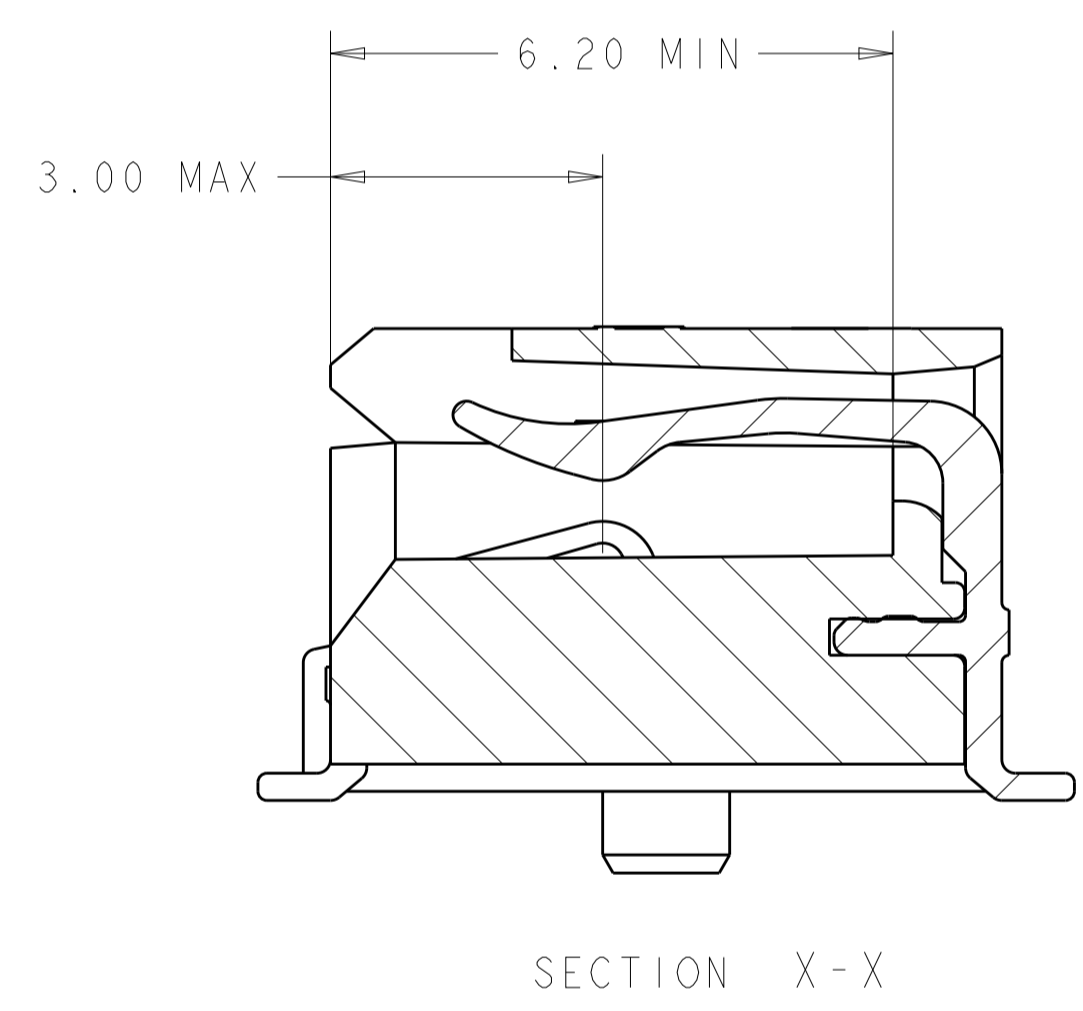
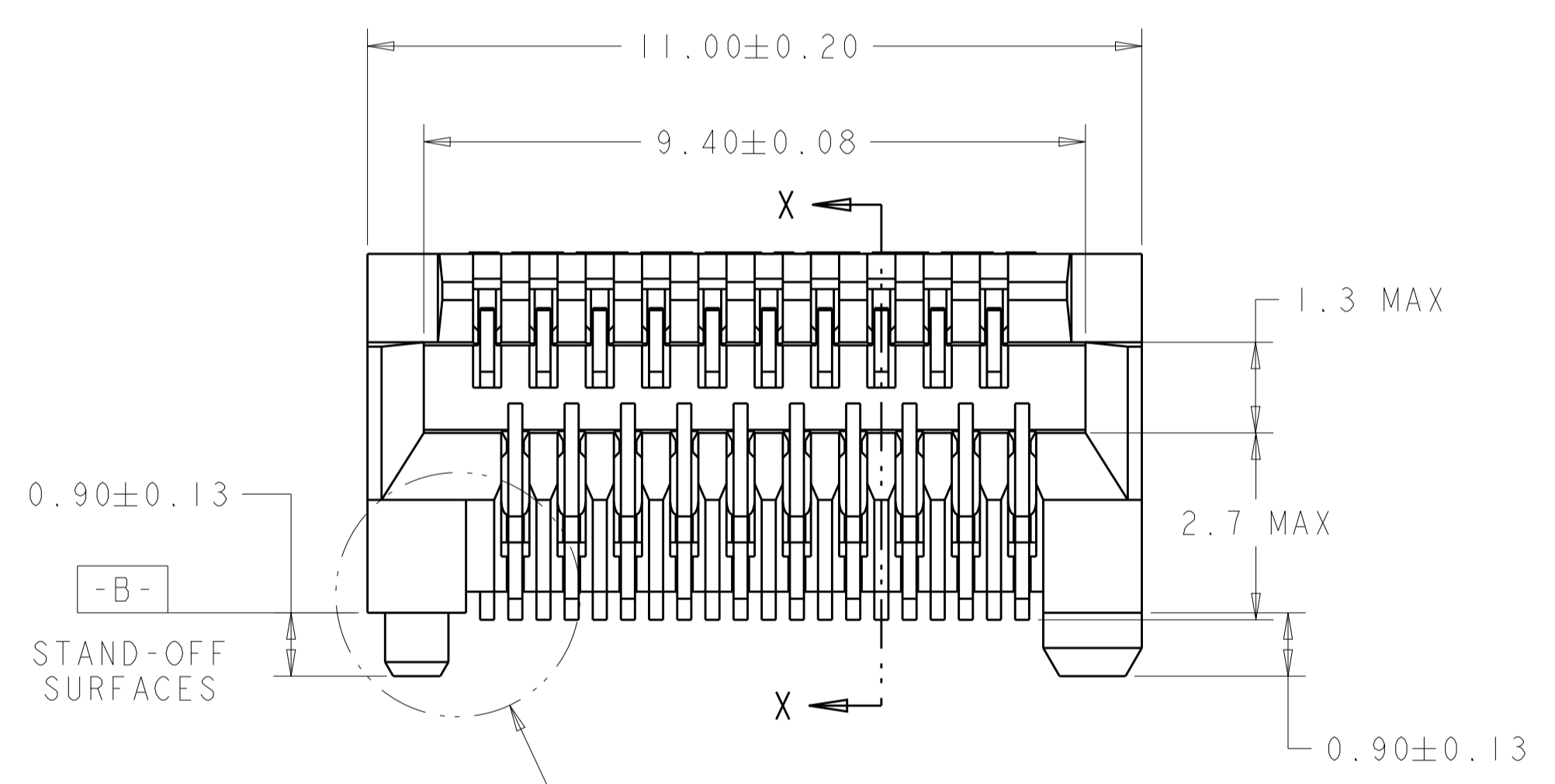
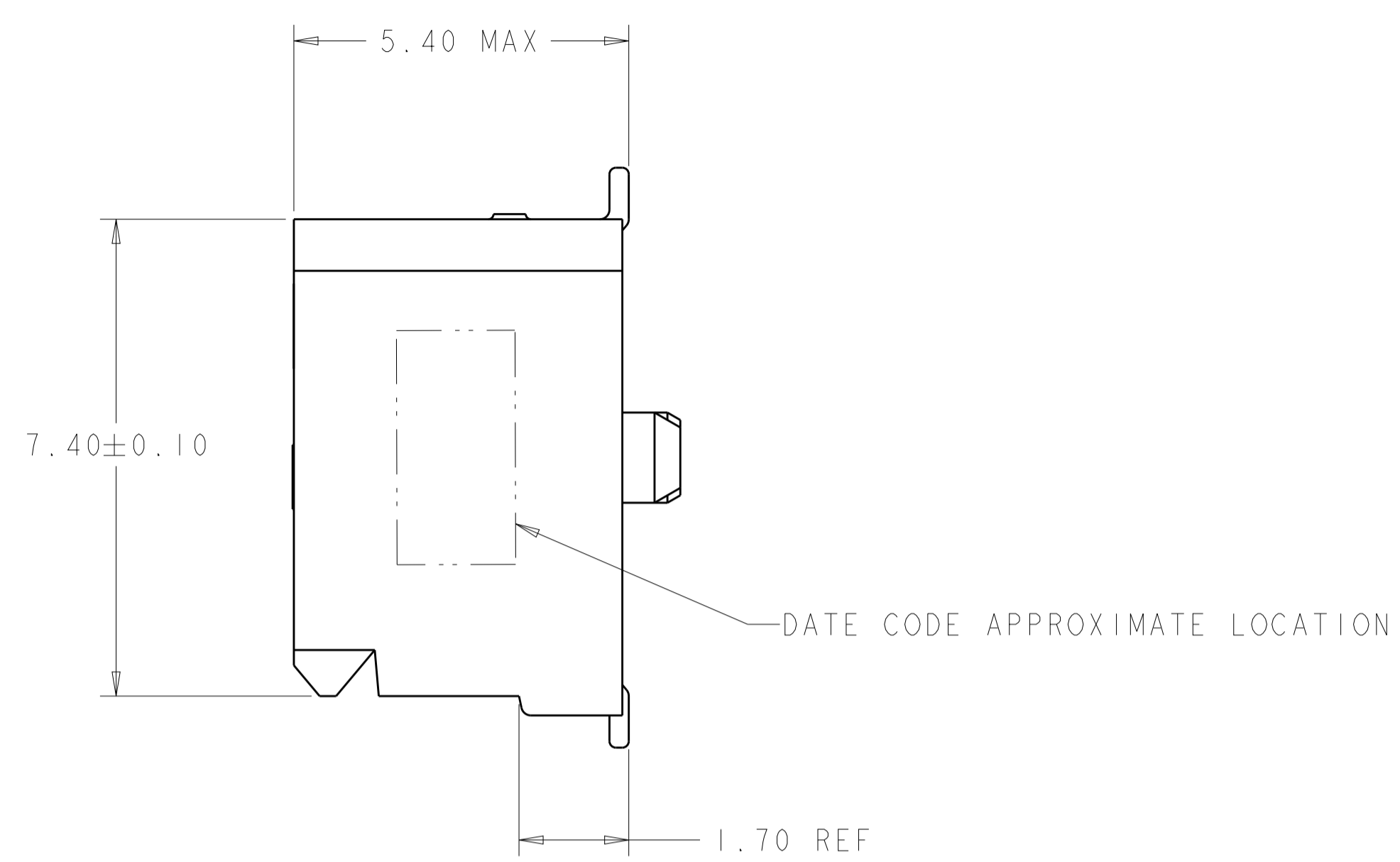
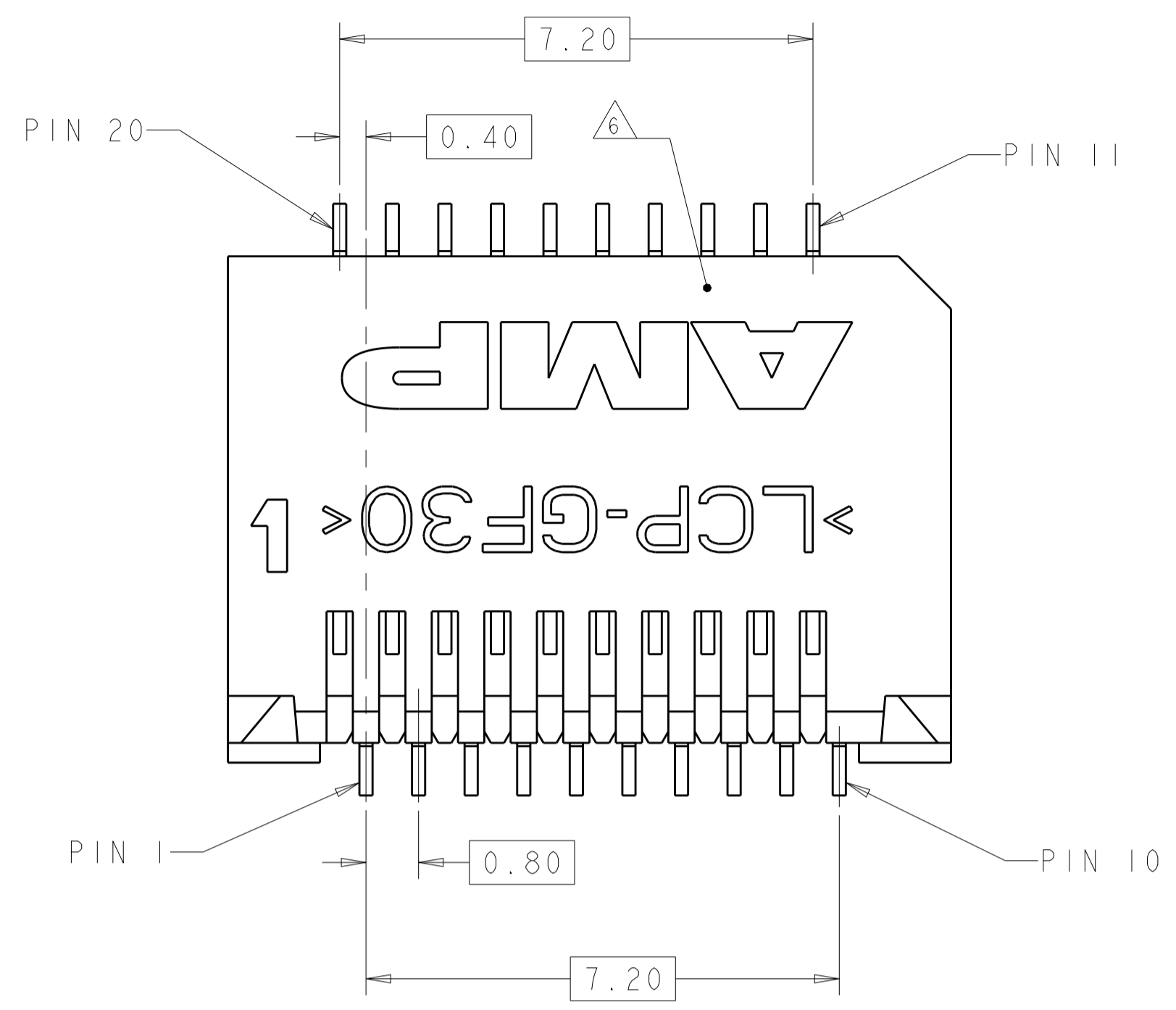
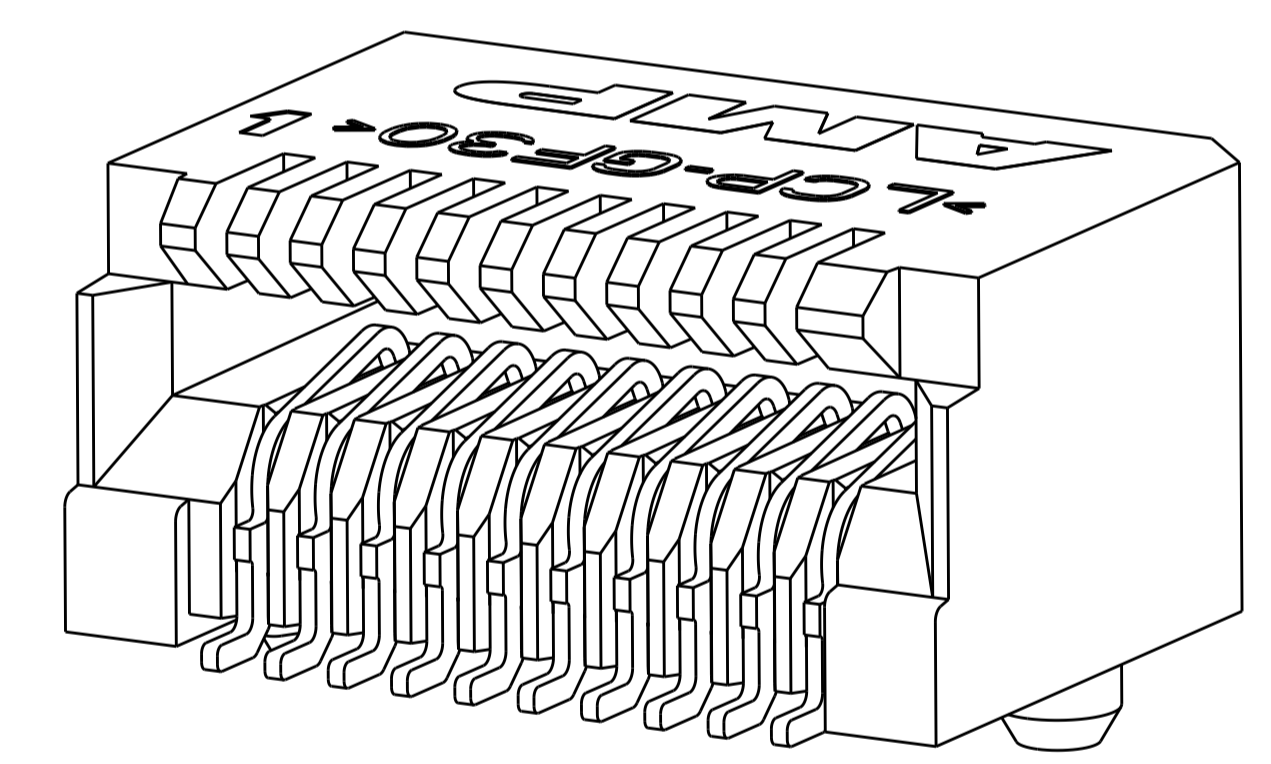


LOC	DIST	REVISIONS			
P	LTN	DESCRIPTION	DATE	DWN	APVD
K		REVISED PER ECO-12-015815	07NOV2012	TX	AC
L		REVISED PER ECO-15-018066	16DEC2015	PP	SH



- 1 MATERIAL:
HOUSING: HIGH TEMPERATURE LCP, UL 94V-0 RATED, BLACK
CONTACTS: PHOSPHOR BRONZE.
- 2 FINISH:
CONTACTS: 0.00076 MIN GOLD ON CONTACT AREA, 0.00013 MIN GOLD ON SOLDER AREA. ALL OVER 0.0038 MIN NICKEL UNDERPLATE ON ENTIRE CONTACT. LUBRICANT ON GOLD PLATE CONTACT AREAS.
- 3. PACKAGED 480 PIECES PER REEL.
- 4 DATUMS AND BASIC DIMENSIONS TO BE ESTABLISHED BY CUSTOMER, SEE DRAWING 1367034 FOR LAYOUT WHEN USED WITH 1367034-1 BOTTOM CAGE (STANDARD SFP APPLICATION).
- 5 FINISH:
CONTACTS: 0.00038 MIN GOLD ON CONTACT AREA, 0.00013 MIN GOLD ON SOLDER AREA. ALL OVER 0.0038 MIN NICKEL UNDERPLATE ON ENTIRE CONTACT. LUBRICANT ON GOLD PLATE CONTACT AREAS.
- 6 PULL GROOVES PERMITTED ON THESE SURFACES AT MOLDING ENGINEERING DISCRETION
- 7 FOR ESD PROTECTION TAPE AND REEL PACKAGE ONLY. MATERIALS (COVER TAPE, EMBOSS TAPE, REEL, INNER LABEL ON REEL) USED WITH AN EPA AREA MUST PRIMARILY BE ELECTROSTATIC CONDUCTIVE OR ELECTROSTATIC DISSIPATIVE. NO MATERIAL SHOULD BE CHARGED UP TO MORE THAN 100 VOLTS.

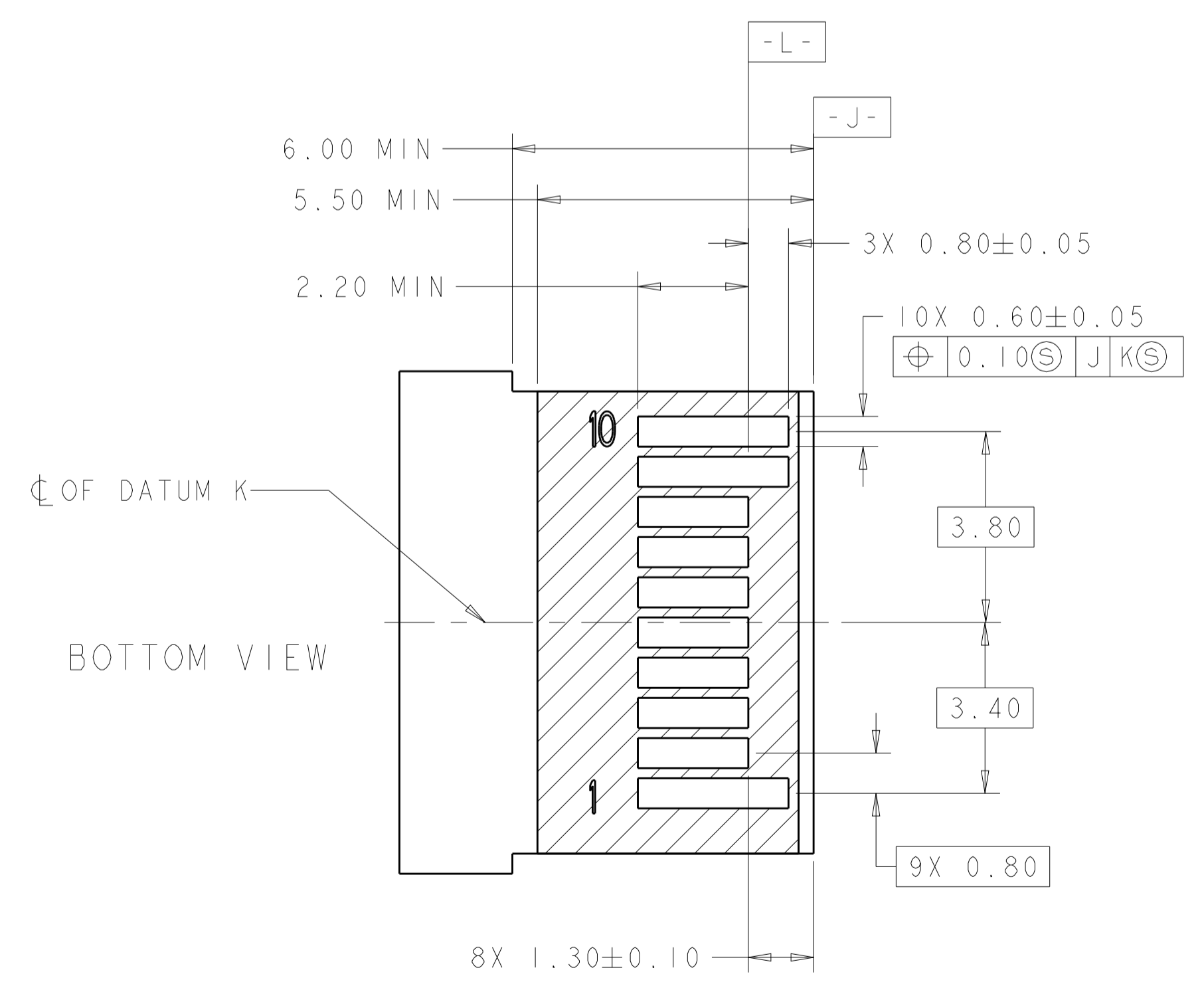
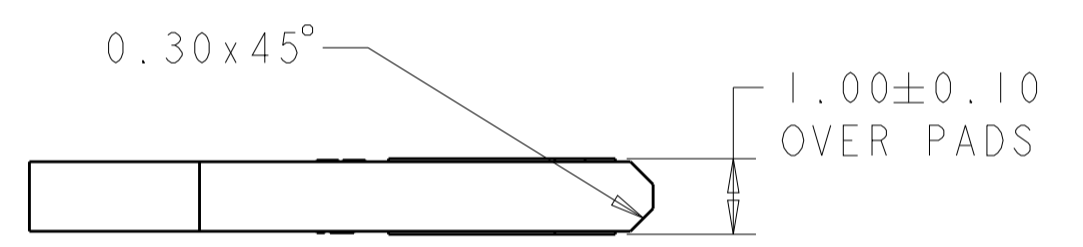
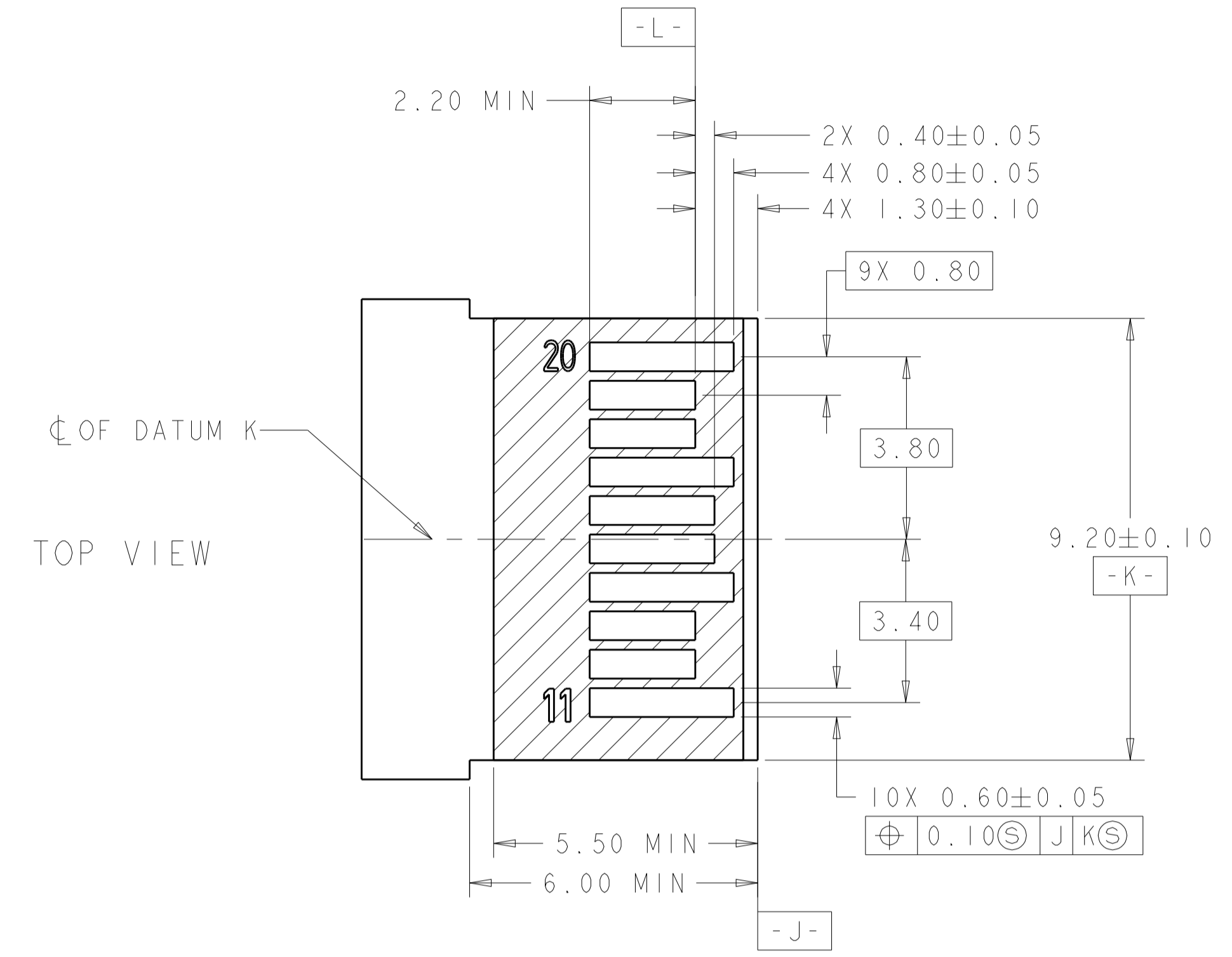


NO	2	1888247-5
YES	3	1888247-4
YES	2	1888247-3
NO	3	1888247-2
NO	2	1888247-1
DATE CODE	FINISH	PART NUMBER

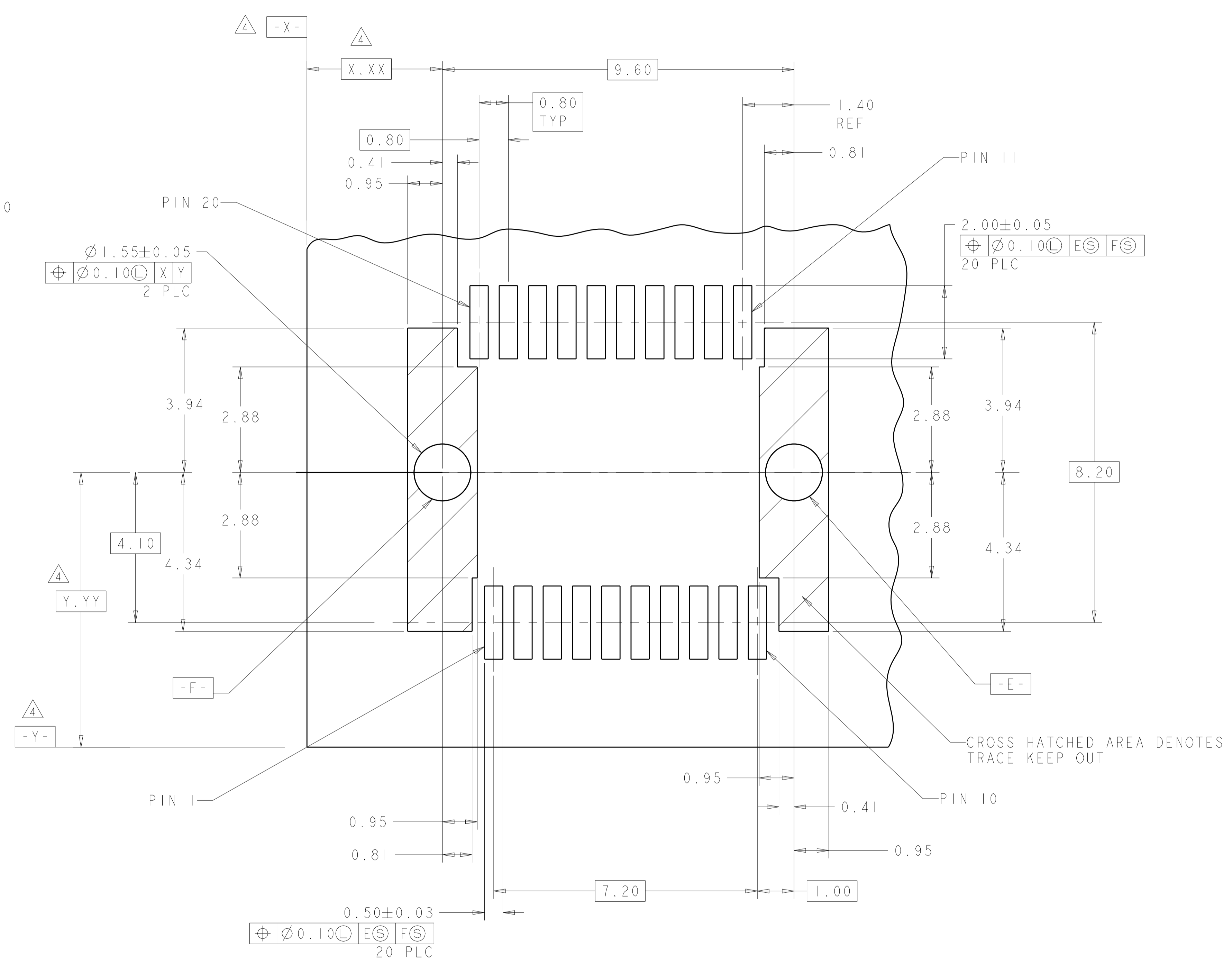
DIMENSIONS:		TOLERANCES UNLESS OTHERWISE SPECIFIED:		MATERIAL:	
mm	0 PLC	±		APVD	B. MCMASTER
	1 PLC	±		CHK	S. SHUEY
	2 PLC	±	0.10	APVD	S. SHUEY
	3 PLC	±		DATE	14FEB06
	4 PLC	±		PRODUCT SPEC	108-1949
	ANGLES	±		APPLICATION SPEC	114-13017
	FINISH	-		SIZE	CAGE CODE DRAWING NO
				RESTRICTED TO	

DETAIL H
SCALE 25:1

LOC		DIST		REVISIONS			
ES	00	P	LTN	DESCRIPTION	DATE	DWN	APVD
				SEE SHEET 1			

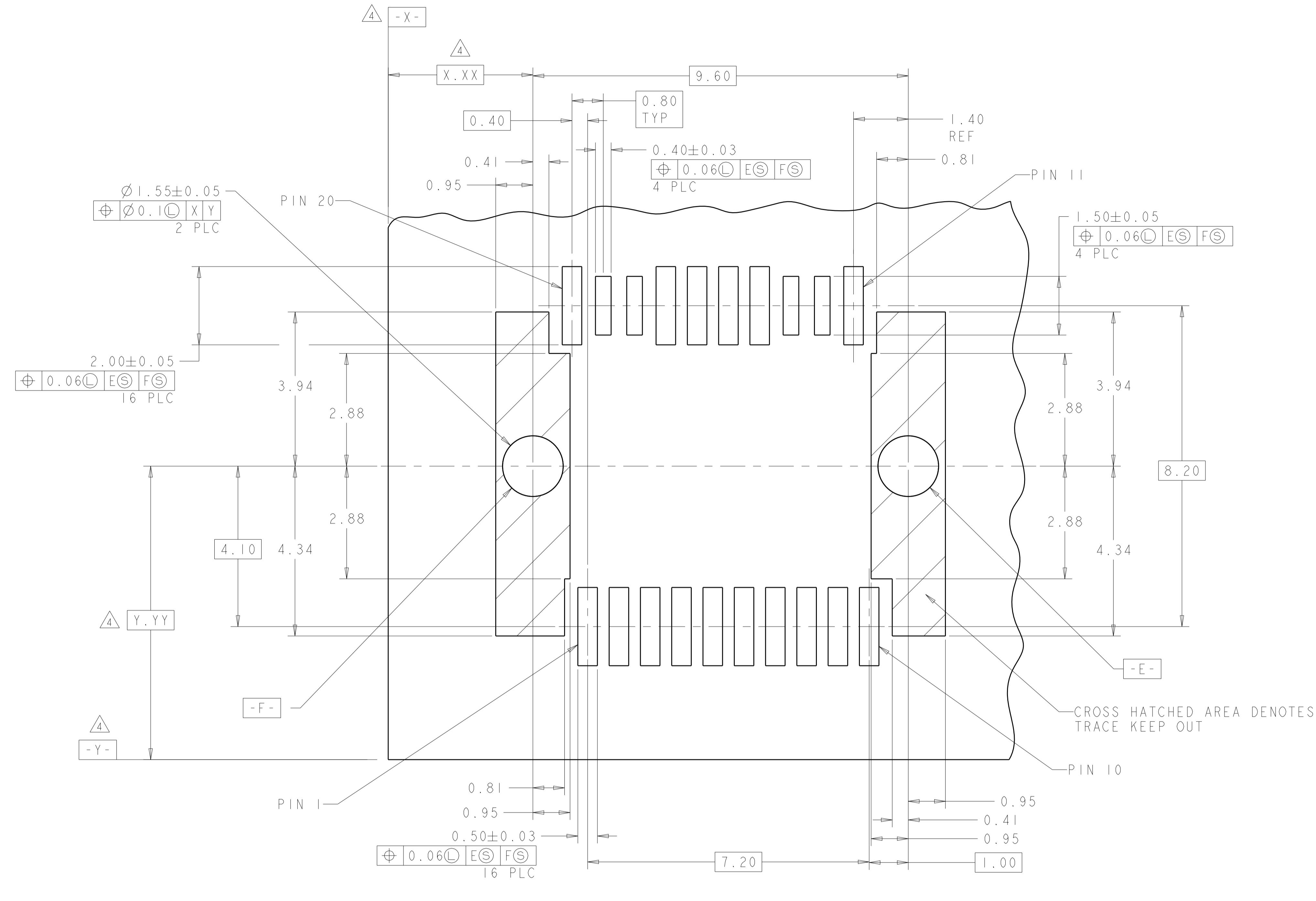


RECOMMENDED LAYOUT DETAIL
 MATING TRANSCEIVER PCB
 SCALE 10:1



THIS DRAWING IS A CONTROLLED DOCUMENT.		DWN	B. MCMASTER	14FEB06	TE Connectivity
DIMENSIONS:		CHK	S. SHUEY	14FEB06	
mm	TOLERANCES UNLESS OTHERWISE SPECIFIED:	APVD	S. SHUEY	14FEB06	NAME
0 PLC	±	PRODUCT SPEC		PT CONNECTOR ASSEMBLY, 20 POS, RIGHT ANGLE, 0.8mm PITCH, SFP+	
1 PLC	±0.10	APPLICATION SPEC		108-1949	
2 PLC	±	SIZE		CAGE CODE DRAWING NO	
3 PLC	±	WEIGHT		RESTRICTED TO	
4 PLC	±	CUSTOMER DRAWING		A100779C=1888247	
ANGLES	±	SCALE		12:1	
MATERIAL	FINISH	SHEET		2 OF 3	
		REV		L	

LOC		DIST		REVISIONS			
ES	00	P	LTH	DESCRIPTION	DATE	DWN	APVD
		-		SEE SHEET 1			



OPTIONAL LAYOUT FOR IMPROVED SIGNAL INTEGRITY, MOUNTING SIDE
 SCALE 16:1

THIS DRAWING IS A CONTROLLED DOCUMENT.		DWN B. MCMASTER 14FEB06	TE Connectivity
DIMENSIONS: mm		CHK S. SHUEY 14FEB06	
TOLERANCES UNLESS OTHERWISE SPECIFIED:		APVD S. SHUEY 14FEB06	NAME
0 PLC ±	1 PLC ±0.10	PRODUCT SPEC	PT CONNECTOR ASSEMBLY, 20 POS, RIGHT ANGLE, 0.8mm PITCH, SFP+
2 PLC ±	3 PLC ±	APPLICATION SPEC	
4 PLC ±	ANGLES ±	114-13017	SIZE CAGE CODE DRAWING NO
MATERIAL	FINISH	WEIGHT	RESTRICTED TO
			A100779C=1888247
CUSTOMER DRAWING		SCALE 12:1	SHEET 3 OF 3 REV L