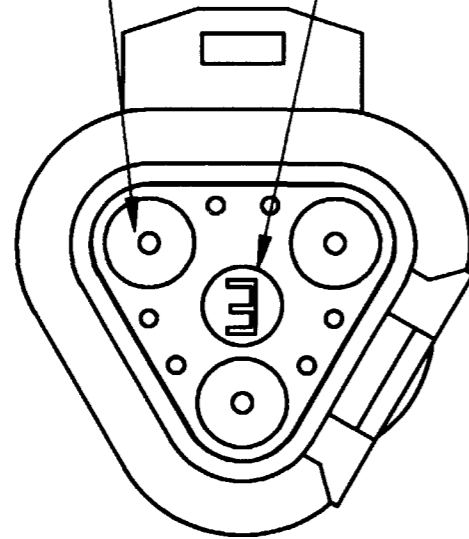
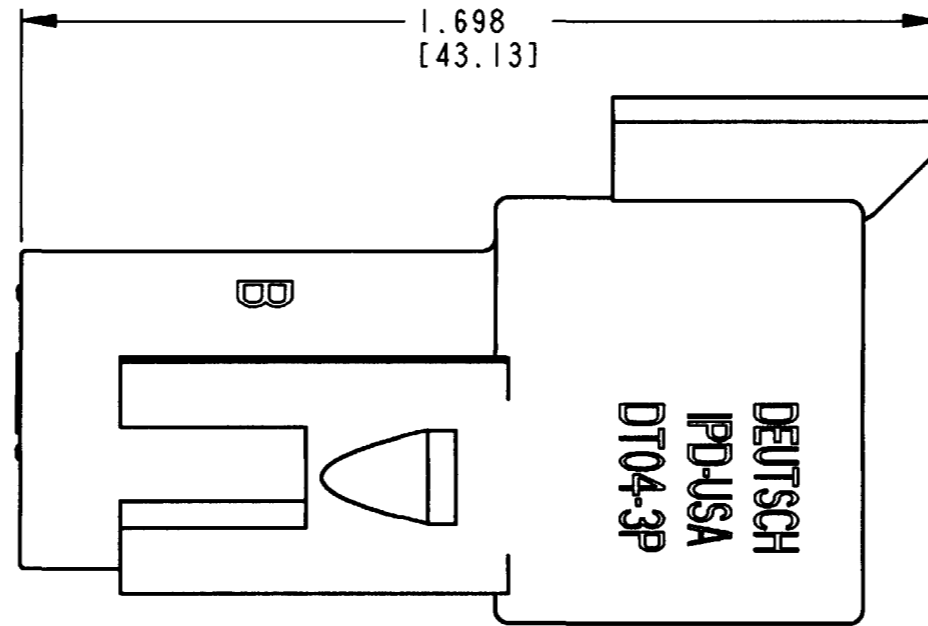


CAVITY -A- REF.

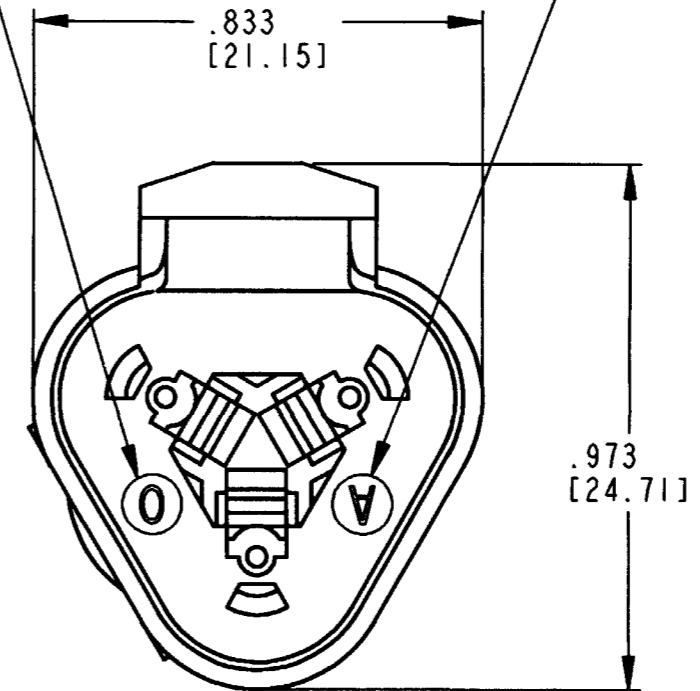


THIS MARK DESIGNATES ASSEMBLY HAS REDUCED DIAMETER WIRE SEALS. ORIENTATION OPTIONAL

DATE CODE: YEAR REPRESENTED BY LAST NUMERICAL DIGIT (EX: 0=2000).



DATE CODE: SEQUENTIAL ALPHA CHARACTERS REPRESENT MONTH (EX: A=JANUARY).



REV A DT04-3P-CE02

REVISIONS			
SYM	DESCRIPTION	DATE	APPROVED
NC	NEW RELEASE PER E.O. A14555	2/14/94	JA
A	REVISED PER E.O. P16042	6-15-99	RDR

5. THIS CONNECTOR CAN PASS THRU A ONE INCH [25.44] HOLE.
4. THIS RECEPTACLE MATES WITH THE DT06-3S-**** PLUG (**** = ALL MODIFICATIONS). CONSULT FACTORY FOR MODIFICATIONS.
3. FOR CONTACTS AND WIRE PERFORMANCE AND APPLICATION CHARACTERISTICS SEE ENVELOPE DRAWING 0425-015-0000 AND 0425-017-0000.
2. DIMENSIONS ARE ±.025 [0.63] UNLESS OTHERWISE SPECIFIED.
1. DIMENSIONS ARE IN INCHES [MILLIMETERS].

NOTES:

CONTACT SIZE	MIN. INSUL O.D.	MAX. INSUL O.D.	WIRE RANGE [mm ²]
16	.053 [1.35]	.120 [3.05]	14-20 AWG [2.0-0.5]

SIGNATURE & DATE	
DR	D. SPENCER 27 JAN 99
CHK	[Signature] 6/3/99
PE	[Signature] 5-27-99
APPD	R. R. [Signature] 6-15-99
SCALE	3:1 WT

3 WAY RECEPTACLE
-CE02 MOD.
COLOR: BLACK
DT SERIES

ENVELOPE

CP	MATL. CODE
The Deutch Company DEUTSCH I.P.D. 3850 INDUSTRIAL AVE. HEMET, CALIF. 92545	
B	DT04-3P-CE02
DWG SIZE	CODE 11139 SHEET OF