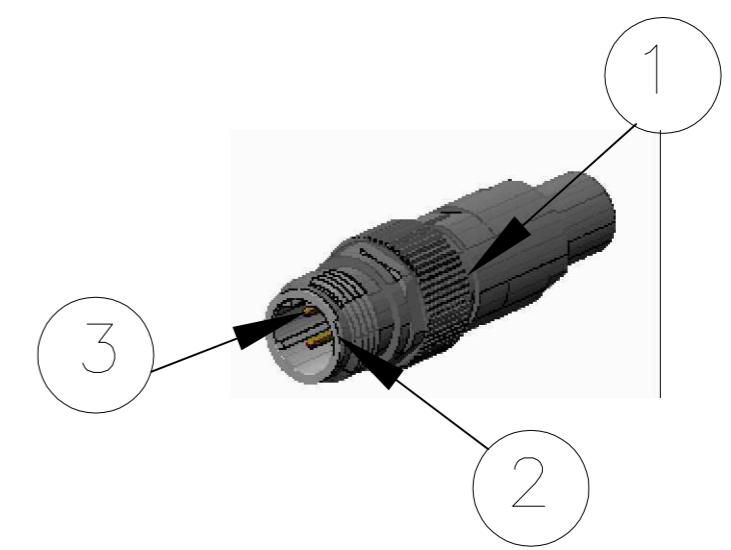
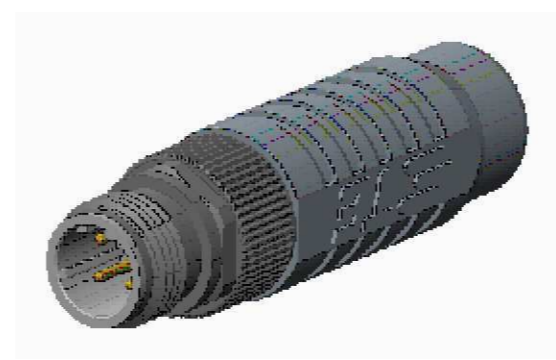
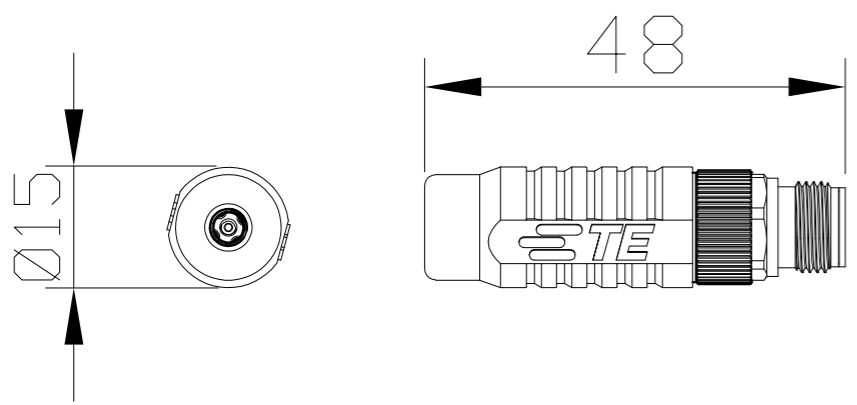


THIS DRAWING IS UNPUBLISHED.		RELEASED FOR PUBLICATION		NOV , 2007.	
© COPYRIGHT 2007 By -		ALL RIGHTS RESERVED.			
PROJECT	PRJ-14-000004825				
PART NO	X-2823445-X				
HV DESC	M12, D-CODED,RAIL MALE				
CUSTOMER	GENERAL MARKET				

LOC	DIST	REVISIONS					
E	B	P	LTR	DESCRIPTION	DATE	DWN	APVD
		A		FIRST RELEASE	30OCT2015	GG	JS

CABLE PLUG AS SHOWN



Code	TE PN'S	Cable plug	Bulkhead plug	Cable reference	AWG	Cable colour	Number of wires per cable	Cable manufacturer	Cable PN
D code	1-2823445-1	x		Cat 5 Radox 6.6mm	AWG22	BLACK	4	H + S	12584038
D code	1-2823445-2	x		Cat 5 Radox 7.3mm	AWG22	BLACK	4	H + S	12568935
D code	1-2823445-3	x		Cat 5 Radox 8.3mm	AWG20	BLACK	4	H + S	12585489
D code	1-2823445-4	x		Cat 7 radox 8.2mm	AWG22	BLUE	8	H + S	84124806
D code	1-2823445-5	x		Cat 5 Radox 7.3mm	AWG22	BLACK	4	H + S	12568935
D code	1-2823445-6		x	Cat 5 Megaline 5.3mm	AWG26	GREY	8	Leoni	20123 3103013
D code	1-2823445-7		x	Cat 7 radox 8.2mm	AWG22	BLUE	8	H + S	84124806
D code	1-2823445-8	x		Cat5 Rail Transit 6.7mm	AWG22	BLACK	8	Belden	BE43769
D code	1-2823445-9	x		Cat 5 Radox 6.6mm	AWG22	BLACK	8	Leoni	303195

NOTES:

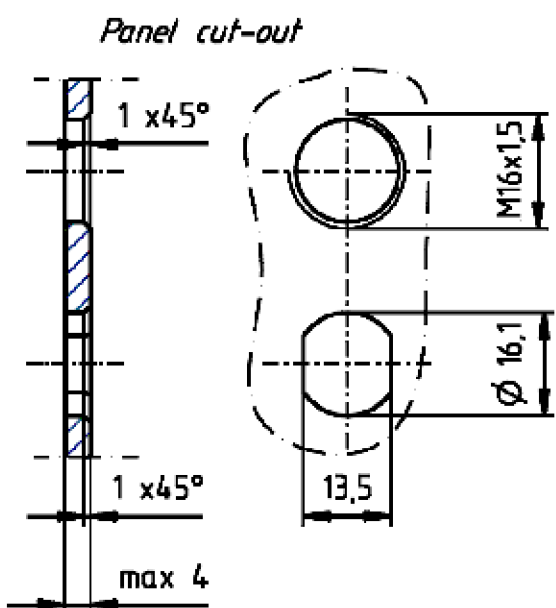
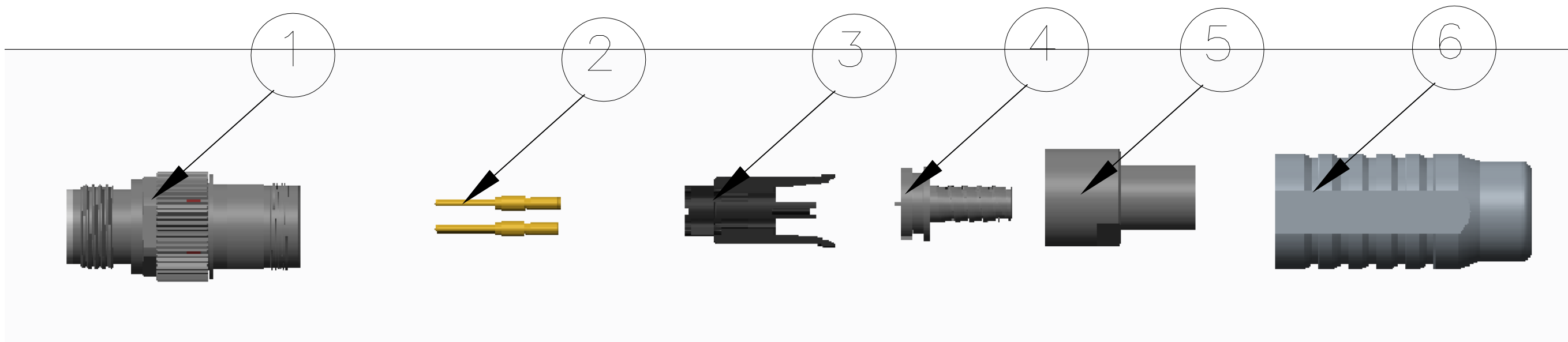
MATERIAL:
 ITEM NO. 1: HOUSING – BRASS, NICKEL PLATED.
 ITEM NO. 2: PLASTIC BODY – PA (UL94 V-0).
 ITEM NO. 3: CONTACT FINISH – Au (gold).
 CONTACT – CuZn (Brass).
 – ALL DIMENSIONS ARE FOR NOMINAL REFERENCE ONLY.
 –PACKAGING: 1 PIECE IN A BAG.
 –THE CONNECTOR IS AS PER IEC 61076-2-101.
 –TEMPERATURE RANGE -40°C to +85°C.
 –VIBRATION & SHOCK TEST CONDUCTED AS PER IEC 61373:1999.
 –FIRE PERFORMANCE CONDUCTED AS PER EN45545-2, NFF16-101 AND NFF16-102.
 –THE THREAD OF THE MATING INTERLACE WITH THE COUNTERPART IS M12x1
 ACCORDING TO IEC61076-2-101.
 –REFER SPEC NO 408-156003 FOR INSTRUCTION SHEET.

THIS DRAWING IS A CONTROLLED DOCUMENT.		DWN	30OCT2015		STE TE Connectivity			
		CHK	30OCT2015					
		APVD	30OCT2015		NAME			
		PRODUCT SPEC		M12, D-CODED				
		APPLICATION SPEC		RAIL MALE 4 CRIMP CONNECTORS				
		WEIGHT	24 g		SIZE	CAGE CODE	DRAWING NO	RESTRICTED TO
		CUSTOMER DRAWING		A3	00779	C-2823445		—
		SCALE	NTS		SHEET	1 OF 2		REV
								A

THIS DRAWING IS UNPUBLISHED.		RELEASED FOR PUBLICATION NOV ,2007.	
© COPYRIGHT 2007 By -		ALL RIGHTS RESERVED.	
PROJECT	PRJ-14-000004825		
PART NO	X-2823445-X		
HV DESC	M12, D-CODED,RAIL MALE		
CUSTOMER	GENERAL MARKET		

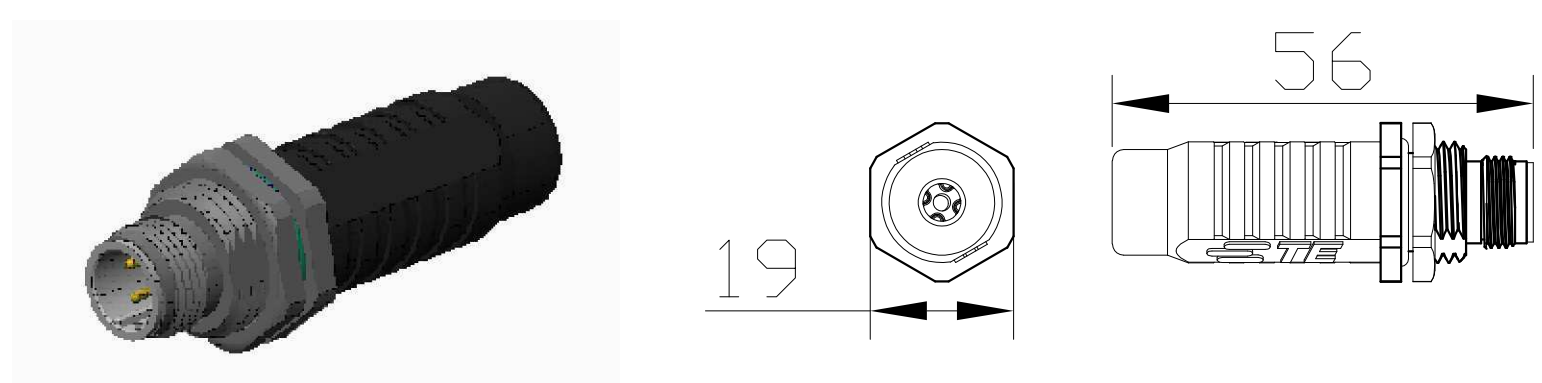
LOC	DIST	REVISIONS					
E	B	P	LTR	DESCRIPTION	DATE	DWN	APVD
		-		SEE SHEET 1	-	-	-

CABLE PLUG AS SHOWN



CUSTOMER CAN CHOOSE ANY ONE OF THE PANEL CUT-OUT.

BULK HEAD PLUG TE PN'S: 1-2823445-6 & 1-2823445-7
BULK HEAD AS SHOWN



6	GRIP BOOT	1	PC
5	BACK NUT & CRIMP SLEEVE	1	PC
4	CRIMP INSERT	1	PC
3	CONTACT HOLDER	1	PC
2	CRIMP CONTACTS MACHINED	4	PC
1	FRONT HOUSING	1	PC
ITEM	DESCRIPTION	QTY	UNIT

THIS DRAWING IS A CONTROLLED DOCUMENT.

DWN	GUNA	30OCT2015	STE TE Connectivity
CHK	GANI	30OCT2015	
APVD	JAYANTH	30OCT2015	
PRODUCT SPEC			NAME
APPLICATION SPEC			M12, D-CODED RAIL MALE 4 CRIMP CONNECTORS
WEIGHT	24 g	SIZE	CAGE CODE
CUSTOMER DRAWING		A3	00779
DRAWING NO		G-2823445	
SCALE		NTS	SHEET 2 OF 2
RESTRICTED TO		REV A	