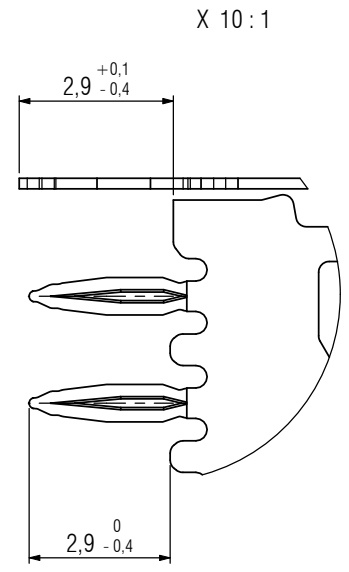
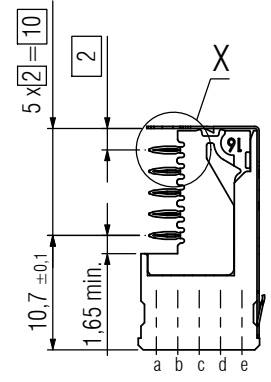
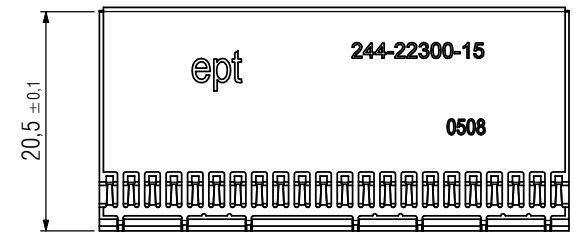
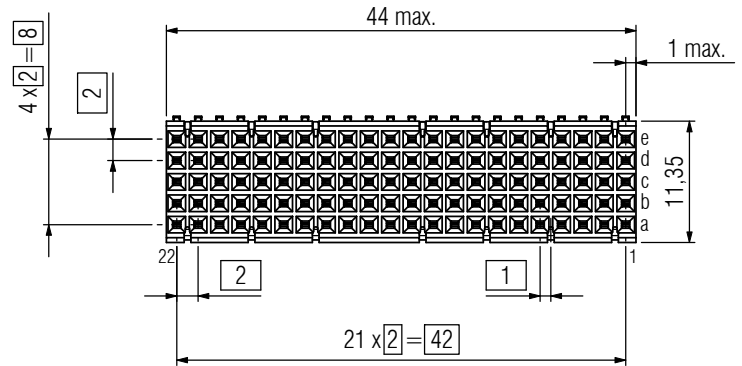
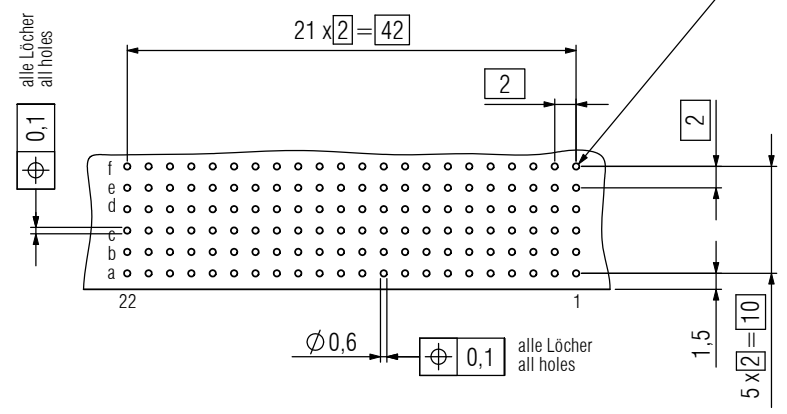


© The reproduction, distribution and utilization of this document as well as the communication of its contents to others without express authorization is prohibited. Offenders will be held liable for the payment of damages. All rights reserved in the event of the grant of a patent, utility model or design.

1 2 3 4 5 6 7 8



Leiterplatten-Lochbild
pcb-layout



Reihe für Schirmblech
unteres Schirmblech auf geraden Positionen
oberes Schirmblech auf ungeraden Positionen
row for shielding
lower shield on even position
upper shield on odd position

Technische Änderungen vorbehalten /
all data subject to amendment without notice

Mechanische Lebensdauer / performance level:
class 2, according to IEC 61076-4-101
(Au over PdNi over Ni)

Werkstoff / Material:		Allgemeintoleranz / General tolerances		Maßstab / Scale: 2:1	
		Toleranzgrundsatz / Fundamental tolerancing principle DIN ISO 8015		A3	
		Datum / Date		Verwendungsbereich / Range of application Kundenzchnng./ customer drawing	
		Name / Name		Benennung / Description hm 2.0-5 Federleiste/female connect. Bauform B22 / type B22 mit Schirmblech/with shielding	
		Erst./Drawn 15.06.2011		S. Kowatsch	
		Gepr./Insp.			
03 drawing modified		15.06.2011		S. Kowat	
Änderung / Revision		Datum / Date		Name / Name	
				ept ept GmbH www.ept.de	
Zeichnungsnummer / Drawing number 244-22300-15				Art / Art C	
				Blatt / Sheet 1 / 1	
				Status / Status S	

1 2 3 4 5 6 7 8