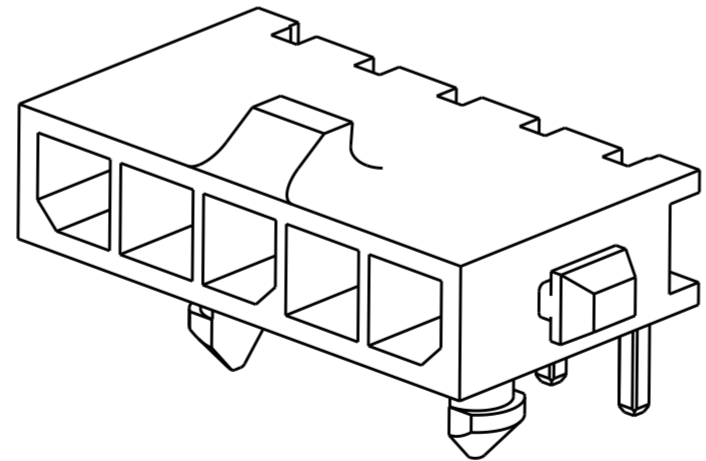
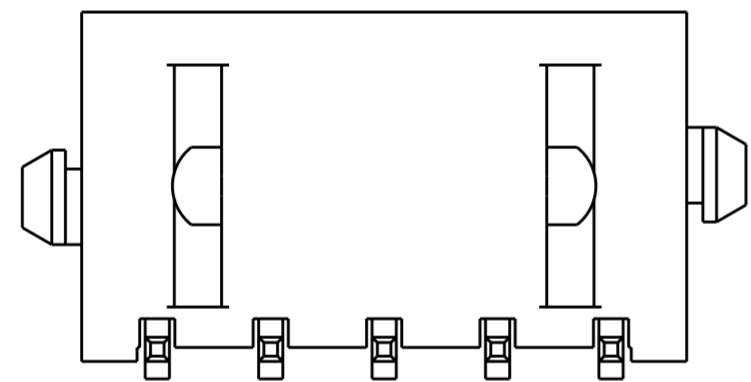
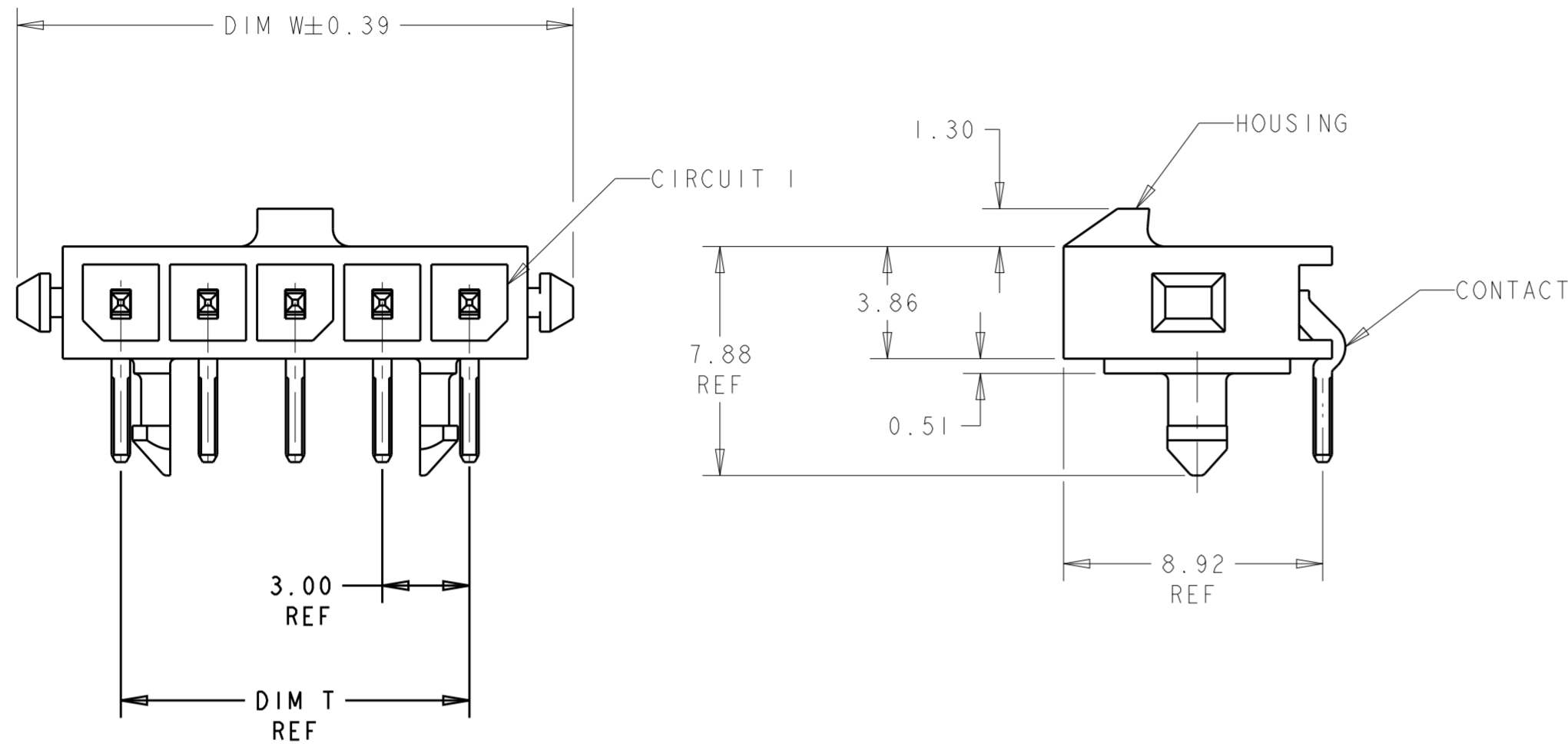


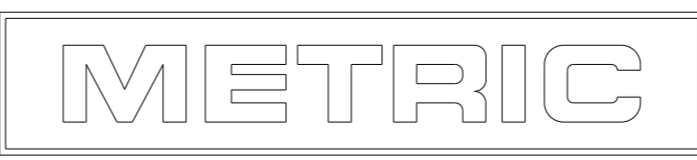
THIS DRAWING IS UNPUBLISHED. RELEASED FOR PUBLICATION 20
 © COPYRIGHT 20 BY - ALL RIGHTS RESERVED.

LOC	DIST	REVISIONS					
CM	00	P	LTR	DESCRIPTION	DATE	DWN	APVD
		B		REVISED PER ECR-15-006694	11MAY2015	SC	DZ



- 1 MATERIAL: CONTACTS - BRASS
HOUSING - UL 94V-0 RATED HIGH TEMP NYLON, COLOR BLACK.
- 2 PLATING: CONTACTS - 2.54µm MINIMUM TIN-LEAD OVER 1.27µm MINIMUM NICKEL.
- 4 RECOMMENDED PC BOARD THICKNESS OF 1.57.
- 5 PLATING: CONTACTS - 2.54µm MINIMUM MATTE TIN OVER 1.27µm MINIMUM NICKEL.

5	33.00	28.70	33.00	40.14	12	3-1445055-2
5	30.00	25.70	30.00	37.14	11	3-1445055-1
5	27.00	22.70	27.00	34.14	10	3-1445055-0
5	24.00	19.70	24.00	31.14	9	2-1445055-9
5	21.00	16.70	21.00	28.14	8	2-1445055-8
5	18.00	13.70	18.00	25.14	7	2-1445055-7
5	15.00	10.70	15.00	22.14	6	2-1445055-6
5	12.00	7.70	12.00	19.14	5	2-1445055-5
5	9.00	4.70	9.00	16.14	4	2-1445055-4
5	-	-	6.00	13.14	3	2-1445055-3
5	-	-	3.00	10.14	2	2-1445055-2
2	33.00	28.70	33.00	40.14	12	1-1445055-2
2	30.00	25.70	30.00	37.14	11	1-1445055-1
2	27.00	22.70	27.00	34.14	10	1-1445055-0
2	24.00	19.70	24.00	31.14	9	1445055-9
2	21.00	16.70	21.00	28.14	8	1445055-8
2	18.00	13.70	18.00	25.14	7	1445055-7
2	15.00	10.70	15.00	22.14	6	1445055-6
2	12.00	7.70	12.00	19.14	5	1445055-5
2	9.00	4.70	9.00	16.14	4	1445055-4
2	-	-	6.00	13.14	3	1445055-3
2	-	-	3.00	10.14	2	1445055-2
FINISH	DIM Z	DIM V	DIM T	DIM W	NO. OF POSN	PART NUMBER



THIS DRAWING IS A CONTROLLED DOCUMENT. DWN J.ROOT 06OCT2000
 CHK K.WHITAKER 13-MAR-2001
 APVD K.WHITAKER 13-MAR-2001

STE TE Connectivity

NAME: RIGHT ANGLE THRU HOLEHEADER ASSY, TIN CONTACTS W/PLASTIC HOLDDOWNS, SINGLE ROW, MICRO MATE-N-LOK™

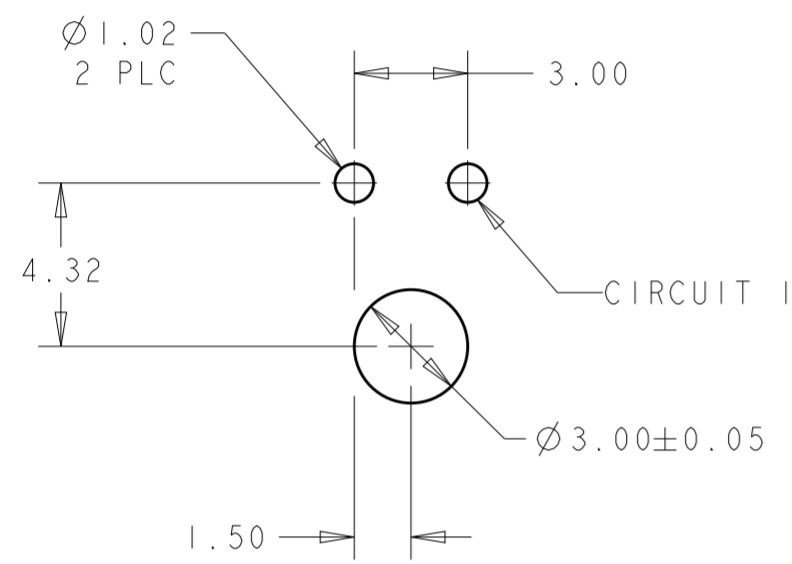
SIZE: A2 CAGE CODE: 00779 DRAWING NO: C-1445055 RESTRICTED TO: -

MATERIAL: SEE TABLE WEIGHT: - SCALE: 5:1 SHEET 1 OF 2 REV B

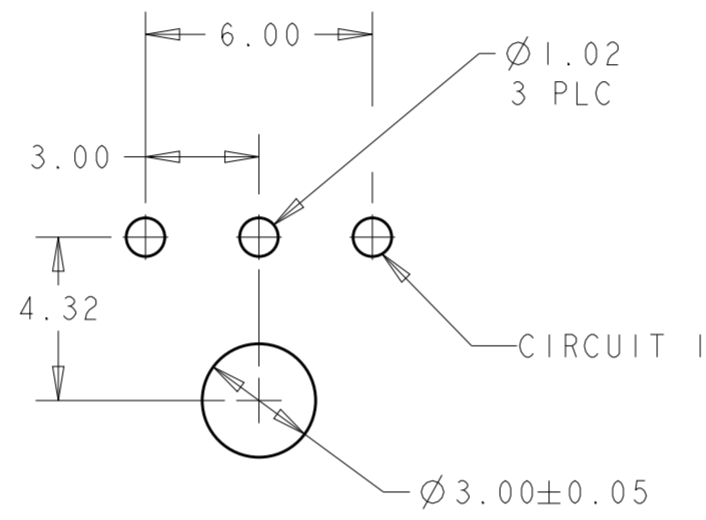
CUSTOMER DRAWING

THIS DRAWING IS UNPUBLISHED. RELEASED FOR PUBLICATION 20
 © COPYRIGHT 20 BY - ALL RIGHTS RESERVED.

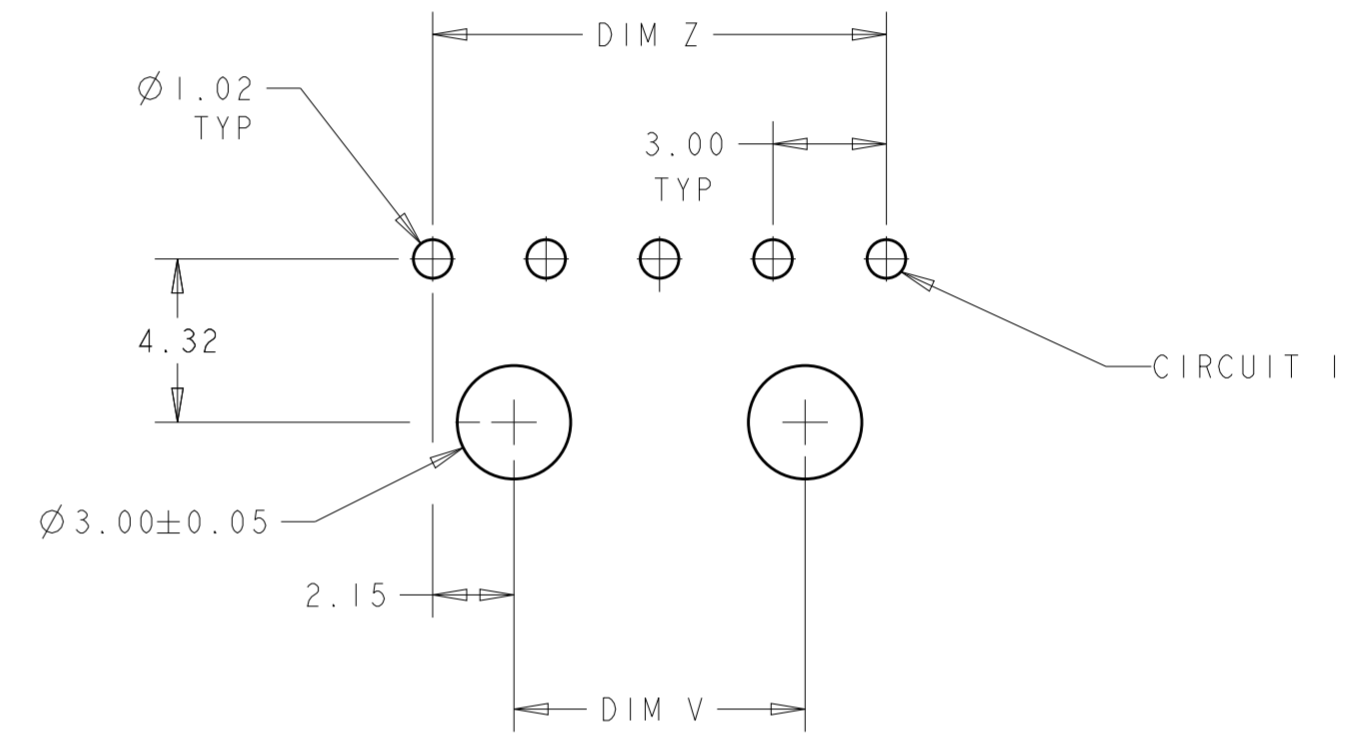
LOC	DIST	REVISIONS					
CM	00	P	LTR	DESCRIPTION	DATE	DWN	APVD
		-		SEE SHEET 1	-	-	-



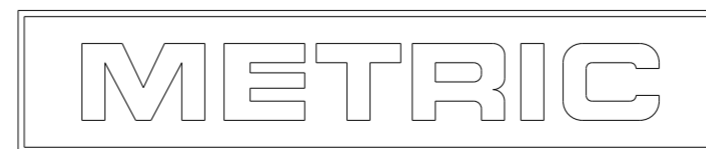
PCB LAYOUT FOR 2 POSITION \triangle
 COMPONENT SIDE



PCB LAYOUT FOR 3 POSITION \triangle
 COMPONENT SIDE



PCB LAYOUT FOR 4-12 POSITION \triangle
 COMPONENT SIDE



THIS DRAWING IS A CONTROLLED DOCUMENT.		DWN J. ROOT 06OCT2000	TE Connectivity	
DIMENSIONS: mm		CHK K. WHITAKER 13-MAR-2001		
TOLERANCES UNLESS OTHERWISE SPECIFIED:		APVD K. WHITAKER 13-MAR-2001	NAME RIGHT ANGLE THRU HOLEHEADER ASSY, TIN CONTACTS W/PLASTIC HOLDDOWNS, SINGLE ROW, MICRO MATE-N-LOK™	
		PRODUCT SPEC	SIZE CAGE CODE DRAWING NO RESTRICTED TO	
MATERIAL		APPLICATION SPEC	A200779 C-1445055	
SEE TABLE		WEIGHT	SCALE 5:1 SHEET 2 OF 2 REV B	
		CUSTOMER DRAWING		