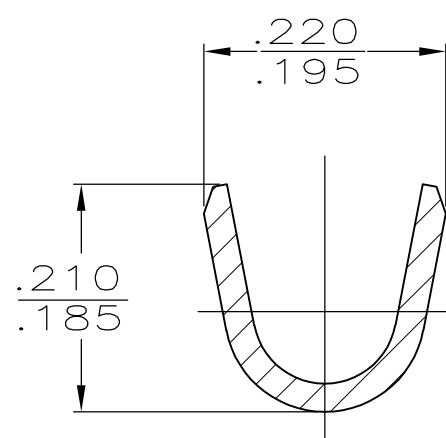
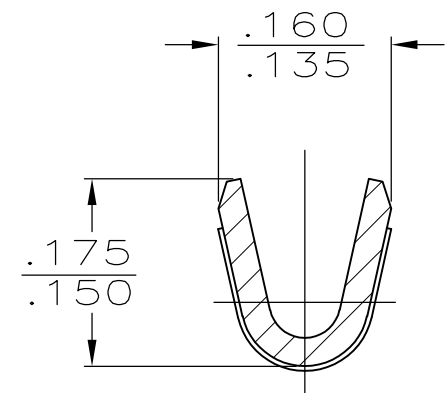
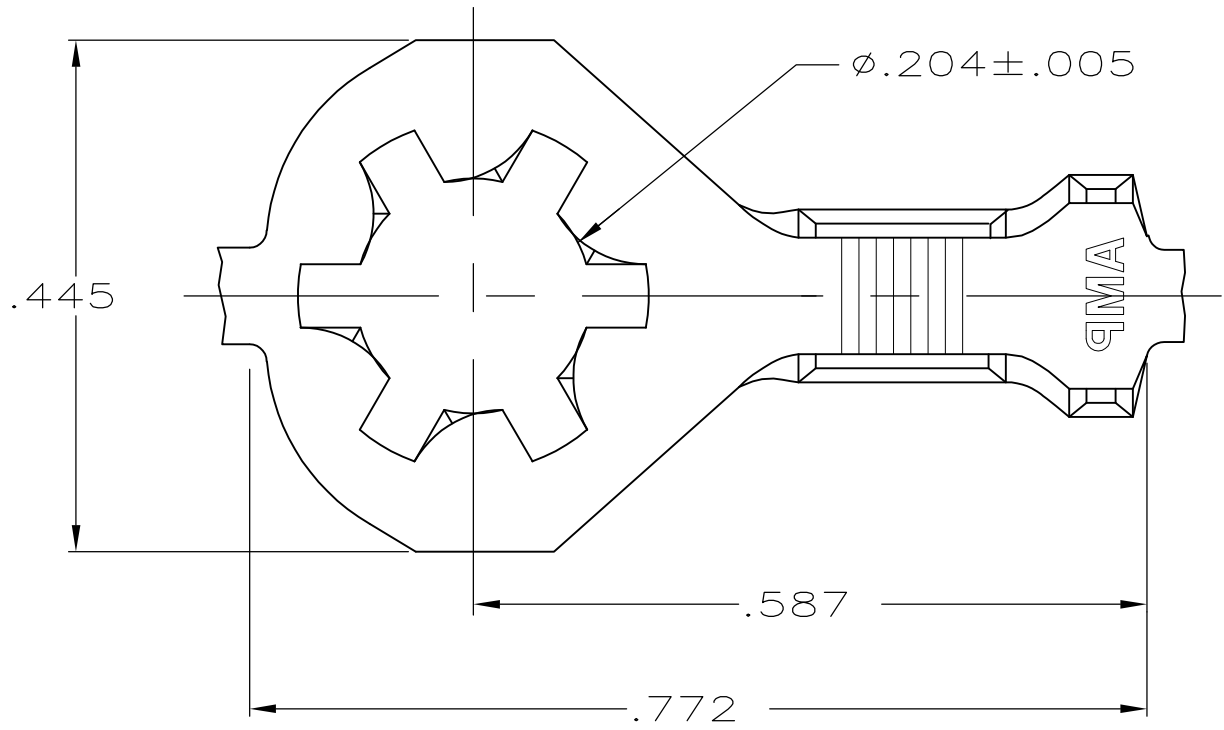


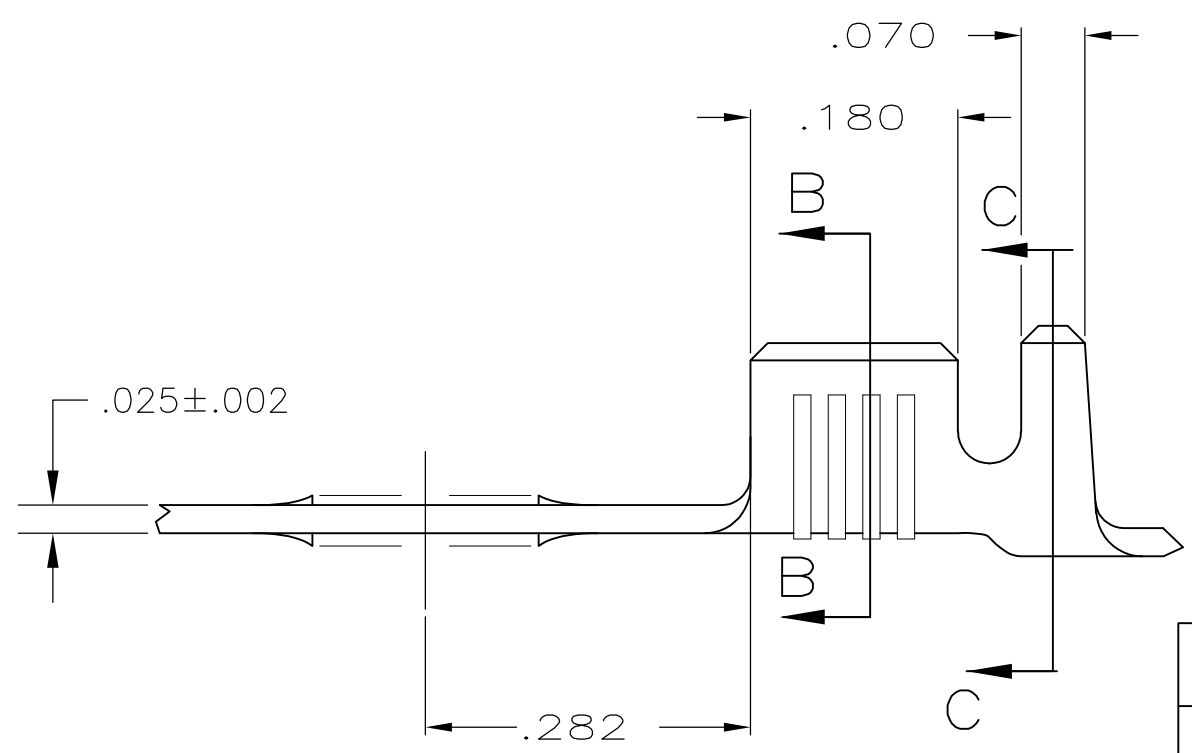
THIS DRAWING IS UNPUBLISHED. RELEASED FOR PUBLICATION
 © COPYRIGHT - By - ALL RIGHTS RESERVED.

LOC	DIST	REVISIONS			
P	LTR	DESCRIPTION	DATE	DWN	APVD
AF	50	P5	REVISED PER ECR-15-010442	14JULY2015	PK TD



SECTION B-B

SECTION C-C



- 1 CONTINUOUS STRIP ON REELS
- △ 2 TIN PLATING.
- 3 WIRE SIZE IS #18-#14 AWG
- 4 INSULATION RANGE IS .105-.145 DIA
- △ 5 INTERLEAVING PAPER
- △ 6 PRELIMINARY - NOT FOR PRODUCTION

△ 5	MADE FROM 61795-3	1-61795-0
△ 5	MADE FROM 61795-1	61795-9
△ 5	△ 2 T2 STEEL	△ 6 61795-7
	H04 BRASS	61795-6
	△ 2 H04 BRASS	61795-3
	OBSOLETE	61795-2
	△ 2 T2 STEEL	61795-1
	FINISH	MATERIAL
		PART NO.

THIS DRAWING IS A CONTROLLED DOCUMENT.		DWN 5/15/87 D HOLLINGSWORTH	STE TE Connectivity													
		CHK 11/23/87 G YETTER														
		APVD 12/2/87 R FRANTZ	NAME													
DIMENSIONS: INCHES		PRODUCT SPEC		RING												
TOLERANCES UNLESS OTHERWISE SPECIFIED:		APPLICATION SPEC														
<table border="0"> <tr><td>0 PLC</td><td>± -</td></tr> <tr><td>1 PLC</td><td>± -</td></tr> <tr><td>2 PLC</td><td>± -</td></tr> <tr><td>3 PLC</td><td>± .015</td></tr> <tr><td>4 PLC</td><td>± -</td></tr> <tr><td>ANGLES</td><td>± -</td></tr> </table>		0 PLC	± -	1 PLC	± -	2 PLC	± -	3 PLC	± .015	4 PLC	± -	ANGLES	± -	SIZE		RESTRICTED TO
0 PLC	± -															
1 PLC	± -															
2 PLC	± -															
3 PLC	± .015															
4 PLC	± -															
ANGLES	± -															
MATERIAL SEE TABLE		WEIGHT -														
FINISH SEE TABLE		CUSTOMER DRAWING														
		SCALE 6:1	SHEET 1 OF 1	REV P5												