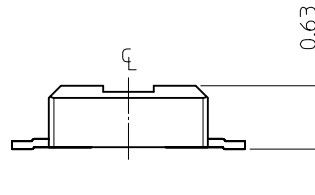
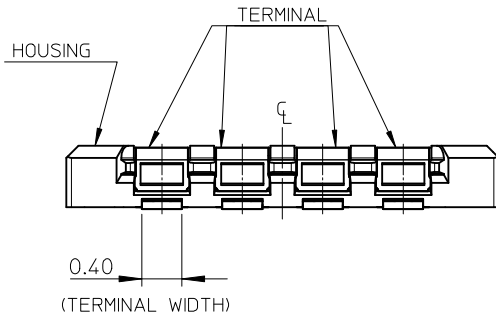


NOTES

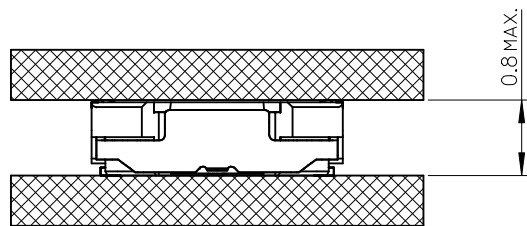
1. MATERIAL
HOUSING: LIQUID CRYSTAL POLYMER UL94V-0 (COLOR: BLACK)
TERMINAL FOR POWER OR SIGNAL CIRCUIT : COPPER ALLOY
2. PLATING
TERMINAL FOR POWER OR SIGNAL CIRCUIT
GOLD
UNDER PLATING : NICKEL
* DIVIDE INTO PARTS THE GOLD PLATING OF THE CONTACT AND THE TAIL PART BY THE NICKEL PLATING.
3. MATE WITH : 104249 SERIES.
4. TAIL COPLANARITY TO BE 0.08 MAXIMUM.
5. ELV and RoHS COMPLIANT.



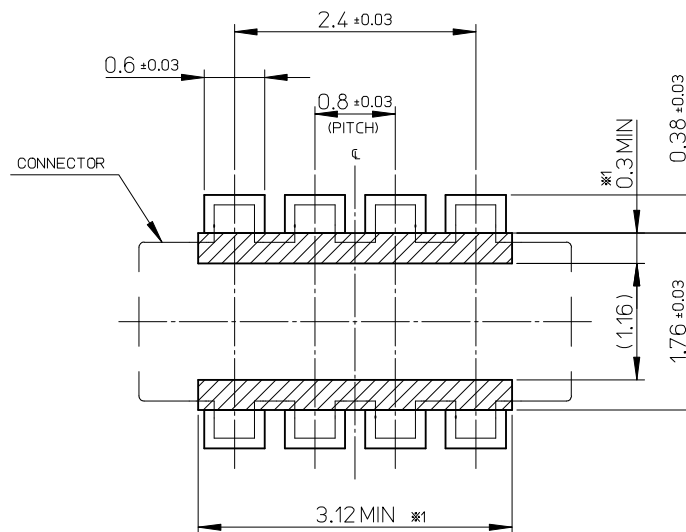
104250-0820	○	-	8
EMBOSSED TAPE PACKAGE	MASS PRODUCTION	LOW VOL. TOOL	CIRCUIT
ORDER NO.	SAMPLE PREPARATION		

CONNECTOR SERIES No. : 104250

REVISED EC NO: KOR2016-0025 DRWN: JHCHANG 2015/09/17 CHKD: APPR: YSK1M02 2015/09/24	QUALITY SYMBOLS	GENERAL TOLERANCES (UNLESS SPECIFIED)	DIMENSION STYLE	SCALE	DESIGN UNITS	THIRD ANGLE PROJECTION
	$F_A=0$ $F_B=0$ $F_C=0$	mm INCH 4 PLACES ± --- ± --- 3 PLACES ± 0.1 ± --- 2 PLACES ± 0.15 ± --- 1 PLACE ± 0.2 ± --- 0 PLACE ± --- ± ---	MM ONLY	20:1	METRIC	○ □ THIRD ANGLE PROJECTION
		ANGULAR ± 1 °	DRAWN BY DATE	TITLE	0.8 BB CONN H=0.75 BATTERY PLUG OVERMOLD (ONLY POWER TER'L VER)	
		DRAFT WHERE APPLICABLE MUST REMAIN WITHIN DIMENSIONS	CHECKED BY DATE		molex SD-104250-001	
		APPROVED BY DATE	SEE CHART	DOCUMENT NO.	SHEET NO.	
		MATERIAL NO.	THIS DRAWING CONTAINS INFORMATION THAT IS PROPRIETARY TO MOLEX INCORPORATED AND SHOULD NOT BE USED WITHOUT WRITTEN PERMISSION		1 OF 4	



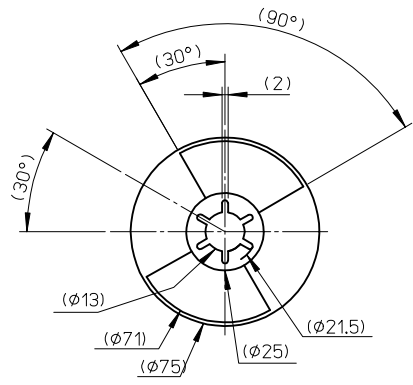
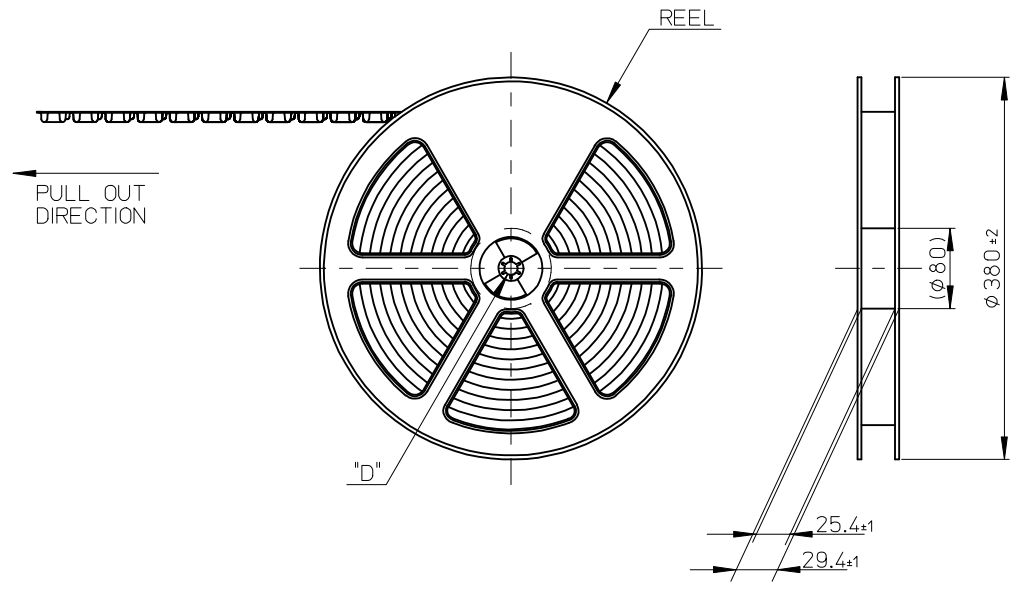
MATED CONDITION



RECOMMENDED P.W.BOARD PATTERN LAYOUT (FOR REFERENCE)
 RECOMMENDED THICKNESS OF METAL MASK: $t=0.1\text{mm}$
 RECOMMENDED OPEN APERTURE RATIO OF METAL MASK:70%

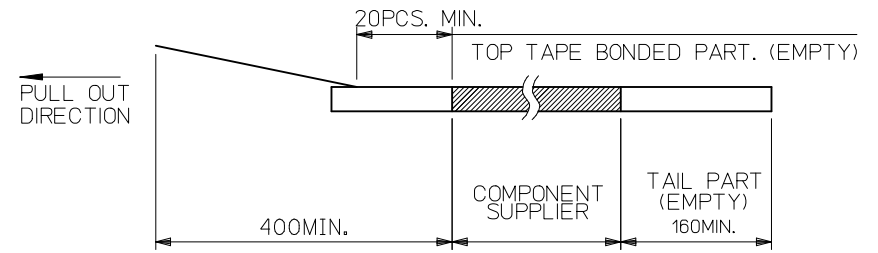
※1
 PROHIBITED AREA OF PATTERN WIRING AND SOLDER.
 (FOR EACH AREA THE WIRING CAN NOT BE AVAILABLE.
 AND COVERED WITH A FILM KEEP SOLDER OUT)

REVISED EC NO: KOR2016-0025 DRWN: JHCHANG 2015/09/17 CHKD: APPR: YSK1M02 2015/09/24	QUALITY SYMBOLS	GENERAL TOLERANCES (UNLESS SPECIFIED)		DIMENSION STYLE MM ONLY		SCALE 20:1	DESIGN UNITS METRIC	THIRD ANGLE PROJECTION
	$\nabla_F=0$	mm	INCH	DRAWN BY JHCHANG	DATE 2015/03/06	TITLE		
	$\nabla_F=0$	4 PLACES ± ---	± ---	CHECKED BY KSK1M	DATE 2015/06/08	0.8 BB CONN H=0.75 BATTERY PLUG OVERMOLD (ONLY POWER TER'L VER)		
	$\nabla_F=0$	3 PLACES ± 0.1	± ---	APPROVED BY YSK1M02	DATE 2015/06/18	molex MATERIAL NO. DOCUMENT NO. SHEET NO. SEE SHEET1 SD-104250-001 2 OF 4		
		2 PLACES ± 0.15	± ---	SIZE A3		THIS DRAWING CONTAINS INFORMATION THAT IS PROPRIETARY TO MOLEX INCORPORATED AND SHOULD NOT BE USED WITHOUT WRITTEN PERMISSION		
		1 PLACE ± 0.2	± ---	DRAFT WHERE APPLICABLE MUST REMAIN WITHIN DIMENSIONS				
		0 PLACE ± ---	± ---	ANGULAR ± 1 °				



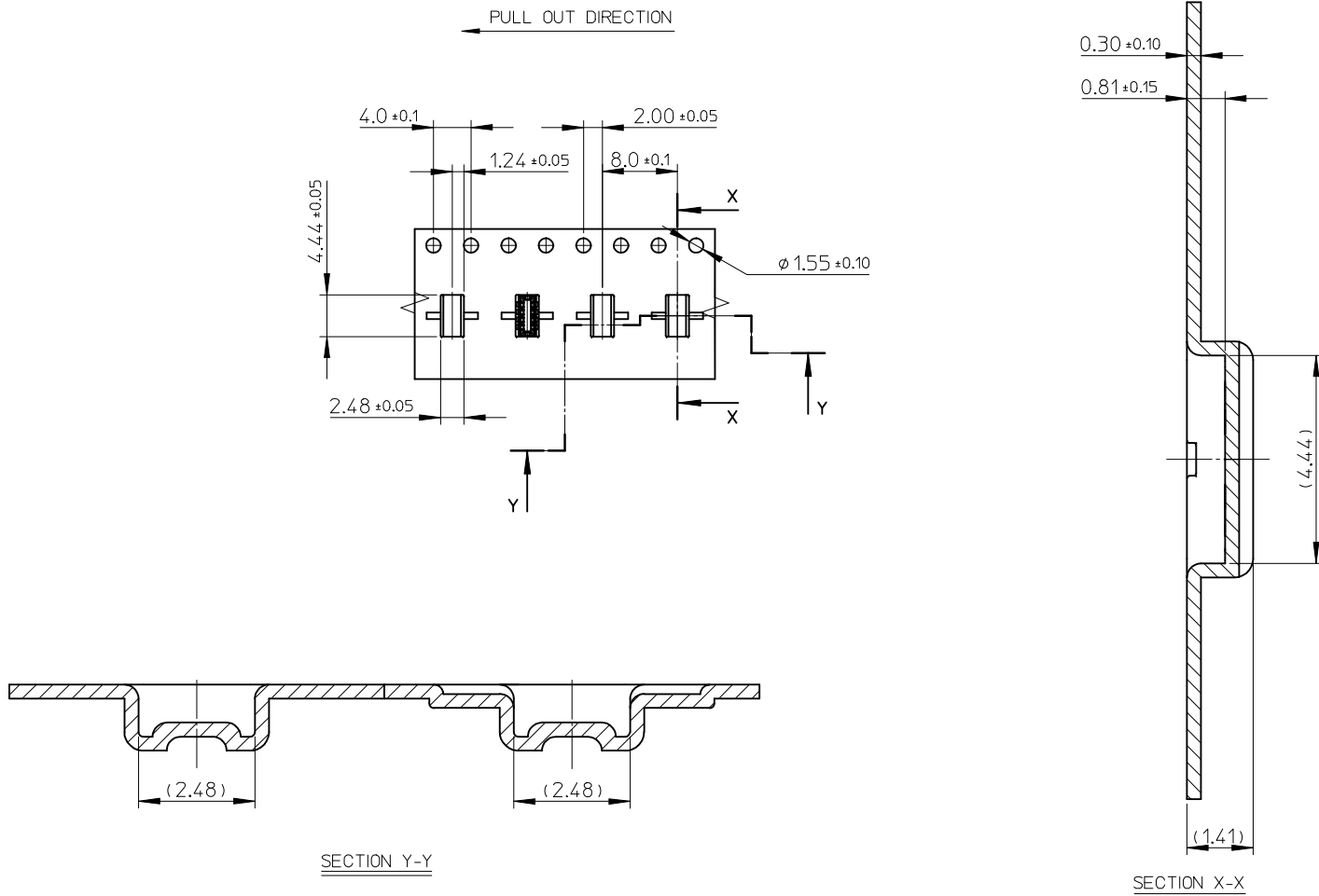
NOTES

1. RE DETAILED DIMENSION, SEE PRODUCT DRAWING.
2. NUMBER OF CONNECTORS : 5000PCS/REEL
3. LEAD TAPE LENGTH



4. COVER TAPE PEEL FORCE IS DEFINED BY IEC60286-3.
5. MATERIAL
 CARRIER TAPE : POLYSTYRENE
 TOP TAPE : PET , OTHER
 REEL : PS
 POLYSTYRENE (PS) <RECYCLE MATERIAL CONTAINED>
6. ELV AND RoHS COMPLIANT
7. THIS PRODUCT IS HIGH BARRIER PACKAGE INCLUDING SILICAGEL.
8. REFER TO RPS-104250-001 FOR CONDITIONS AFTER OPEN.

REVISED EC NO: KOR2016-0025 DRWN: JHCHANG 2015/09/17 CHKD: APPR: YSK1M02 2015/09/24	QUALITY SYMBOLS	GENERAL TOLERANCES (UNLESS SPECIFIED)		DIMENSION STYLE MM ONLY		SCALE 20:1	DESIGN UNITS METRIC	THIRD ANGLE PROJECTION
	$F_A=0$	mm	INCH	DRAWN BY JHCHANG	DATE 2015/03/06	TITLE 0.8 BB CONN H=0.75 BATTERY PLUG OVERMOLD (ONLY POWER TER'L VER)		
	$F_B=0$	4 PLACES ± --- ± ---	3 PLACES ± 0.1 ± ---	CHECKED BY KSKIM	DATE 2015/06/08	<div style="text-align: center; font-size: 24pt; font-weight: bold;">molex</div> DOCUMENT NO. SD-104250-001 SHEET NO. 3 OF 4		
	$F_C=0$	2 PLACES ± 0.15 ± ---	1 PLACE ± 0.2 ± ---	APPROVED BY YSK1M02	DATE 2015/06/18			
$F_D=0$	0 PLACE ± --- ± ---	ANGULAR ± 1 °		MATERIAL NO.		SEE SHEET 1		
REV	DESCRIPTION	DRAFT WHERE APPLICABLE MUST REMAIN WITHIN DIMENSIONS		SIZE A3		THIS DRAWING CONTAINS INFORMATION THAT IS PROPRIETARY TO MOLEX INCORPORATED AND SHOULD NOT BE USED WITHOUT WRITTEN PERMISSION		



SECTION Y-Y

SECTION X-X

REVISED EC NO: KOR2016-0025 DRWN: JHCHANG 2015/09/17 CHKD: APPR: YSKIM02 2015/09/24	QUALITY SYMBOLS	GENERAL TOLERANCES (UNLESS SPECIFIED)		DIMENSION STYLE	SCALE	DESIGN UNITS	THIRD ANGLE PROJECTION
	$\nabla_A = 0$	mm	INCH	MM ONLY	20:1	METRIC	
	$\nabla_B = 0$	4 PLACES ± ---	± ---	DRAWN BY	DATE	TITLE	
	$\nabla_C = 0$	3 PLACES ± 0.1	± ---	JHCHANG	2015/03/06	0.8 BB CONN H=0.75 BATTERY PLUG OVERMOLD (ONLY POWER TER'L VER)	
	2 PLACES ± 0.15	± ---	CHECKED BY	DATE	molex		
	1 PLACE ± 0.2	± ---	KSKIM	2015/06/08	SD-104250-001		
	0 PLACE ± ---	± ---	APPROVED BY	DATE	SEE SHEET 1		SHEET NO.
		± ---	YSKIM02	2015/06/18	THIS DRAWING CONTAINS INFORMATION THAT IS PROPRIETARY TO MOLEX INCORPORATED AND SHOULD NOT BE USED WITHOUT WRITTEN PERMISSION		4 OF 4
		ANGULAR ± 1°	MATERIAL NO.	DOCUMENT NO.			
		DRAFT WHERE APPLICABLE MUST REMAIN WITHIN DIMENSIONS	SEE SHEET 1				