

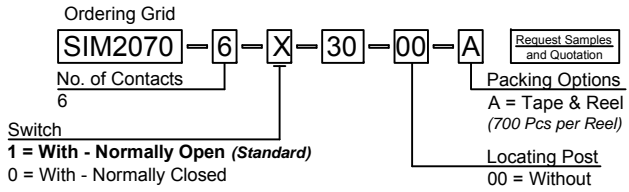
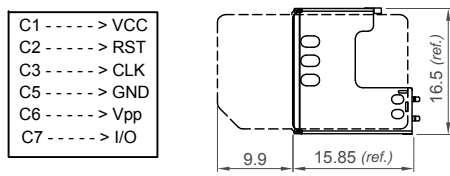
Specifications 规格

Material 物料
 Plastic Housing 塑胶外壳: Hi-Temp Thermoplastic UL94V-0, Black
 Contact and Switch Terminals 接触端子: Phosphor Bronze
 Metallic Shell 金属外壳: Stainless Steel

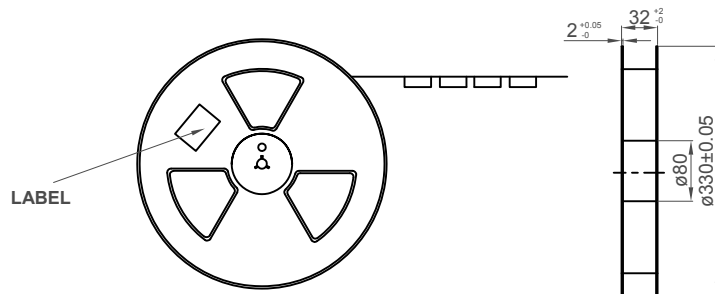
Plating 电镀
 Under-Plating 底层电镀: 50µ" Nickel
 Contact Area 接触部分: 5µ" Gold
 Soldering Area 焊接部分: Tin

Electrical 电气
 Voltage Rating 电压额定值: 50V max.
 Current Rating 电流额定值: 1A max. 10µ A min.
 Operating Temperature 工作温度: -40°C to +85°C
 Contact Resistance 接触电阻值: 50mΩ max.
 Insulating Resistance 绝缘电阻值: >1000MΩ/500VDC
 Dielectric Withstanding Voltage 耐电压: 500 VAC for 1 min

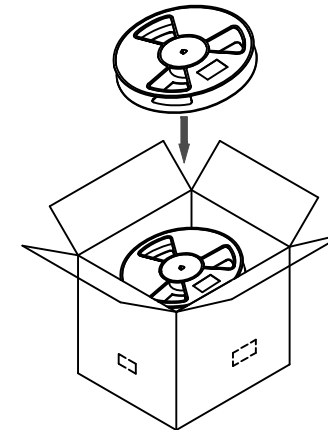
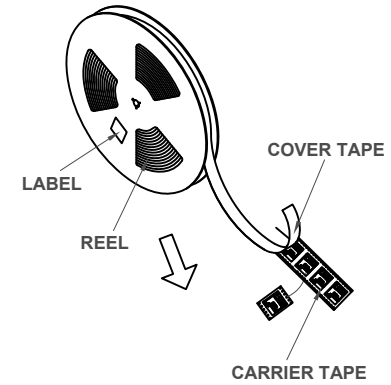
Mechanical & Environmental 机械 & 环境
 Durability 耐久性: 5,000 cycles



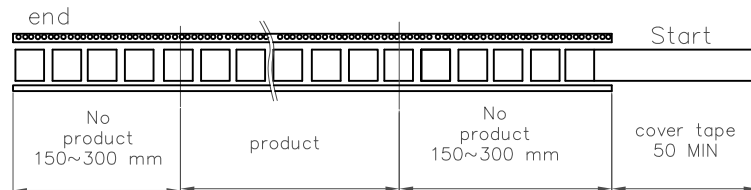
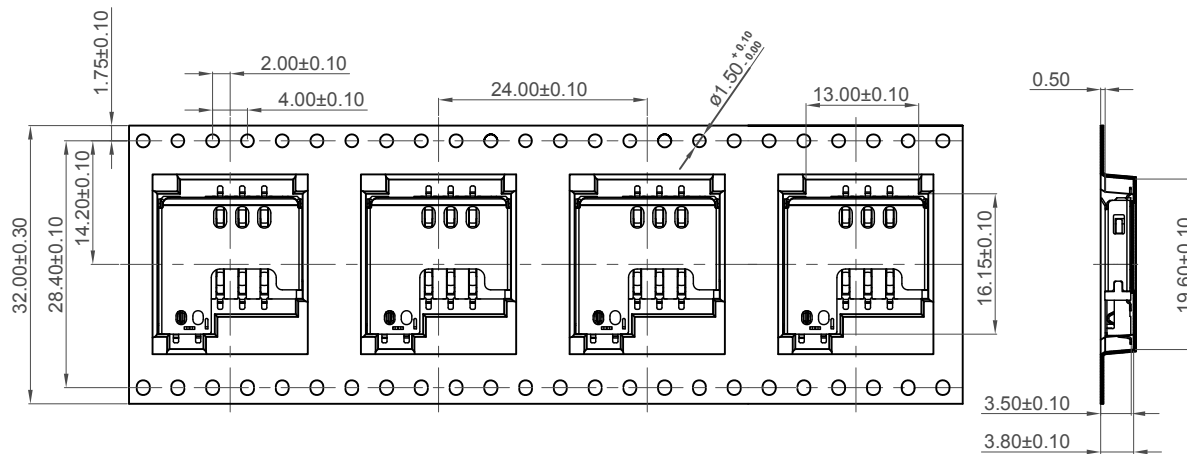
Part Number SIM2070		Product Description SIM Card Connector - 3.44mm Profile Receiver type 6 Pin, SMT, with Card Detect		 Global Connector Technology www.gct.co
Drawing Date 5th Dec 2011				
By Detail	AJO SIM2070 D PCN	Tolerances (Except as Noted) Length X.X ± 0.25 X.XX ± 0.15 X.XXX ± 0.050		 This drawing is confidential and copyright of Global Connector Technology, Ltd (GCT). This drawing must not be copied or disclosed without written consent. E & OE
Revision Date	D 23/12/15	Angle X.° ± 1° X.X° ± 0.5° X.XX° ± 0.25°		
Units: Metric (mm)		 3rd Angle Projection		Not to Scale Drawn By CM Sheet No. 1/2



Gross Weight: 1.00KGS
Q'ty: 700 Pcs per Reel



Gross Weight: 8.00KGS
Quantity: 5600 Pcs per carton (8 Reels set in order)
Measure: 35.00L×35.00W×31.50H cm



Part Number SIM2070		Product Description SIM Card Connector - 3.44mm Profile Receiver type 6 Pin, SMT, with Card Detect	
Drawing Date 5th Dec 2011			
By Detail	AJO SIM2070 D PCN	Tolerances (Except as Noted) Length	Angle
Revision Date	D 23/12/15	Units: Metric (mm)	RoHS COMPLIANT 2011/85/EU Deca-BDE
		3rd Angle Projection	This drawing is confidential and copyright of Global Connector Technology, Ltd (GCT). This drawing must not be copied or disclosed without written consent. E & OE

GCT
Global Connector Technology
www.gct.co

Not to Scale	Drawn By CM	Sheet No. 2/2
--------------	----------------	------------------