

NO PATTERN AREA : ALL SOCKET SPACES(HATCHING AREA) WITHOUT SOLDER PATTERN

IF YOU WANT TO MINIMIZE THIS NO PATTERN AREA, THE 7 BOXES MUST BE AVOID THE PATTERNING TRACE/NO VIA, BECAUSE, THOSE ARE CONTACT TERMINAL'S MOVING AREA. OTHER AREA(STATIC METAL TOUCHABLE) CAN BE PATTERNED UNDER THE PSR INK.

-DATE CODE-
example: 141518M2
M -> Molex initial
4 -> Year(2014)
B -> Month(November) 1, ..., A, B, C
15 -> Date(15th)
A -> Site initial(Ansan)
1 -> Manufacture line number

[nanoSIM CARD PIN-MAP]

PIN NO.	DESCRIPTION
C1	Vcc(Supply V)
C2	RST(Reset)
C3	CLK(Clock)
(C4)	NONE
C5	GND
C6	Vpp(Program V)
C7	I/O
(C8)	NONE

* This product has no C4, C8 Contact and Switch terminal for SIM Card

G1-G8	GND
-------	-----

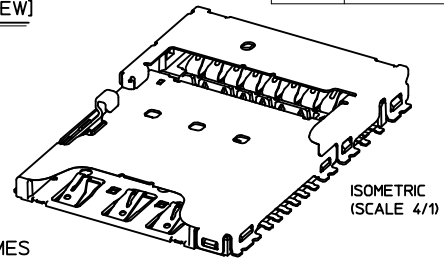
[microSD CARD PIN-MAP]

PIN NO.	DESCRIPTION
T1	DAT2
T2	CD/DAT3 ²
T3	CMD
T4	V _{DD}
T5	CLK
T6	V _{SS} (GND)
T7	DAT0
T8	DAT1

S/W	CARD DETECTOR
-----	---------------

RECOMMENDED PCB LAYOUT [FRONT VIEW]

(TOLERANCE : ±0.05)

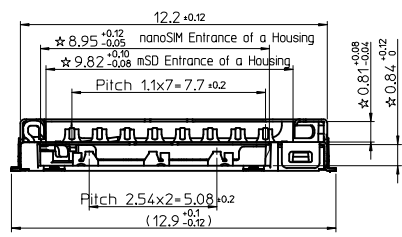
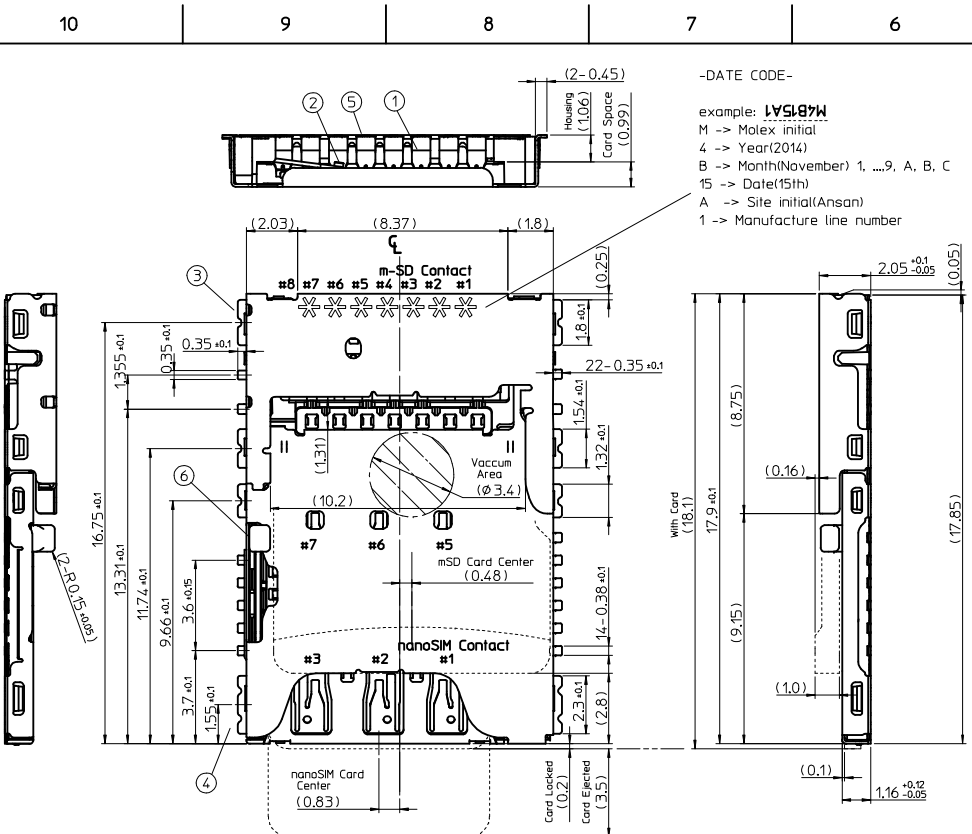


NOTES

1. MATERIALS: SEE TABLE
2. FINISHES: SEE TABLE
3. MATES WITH
 - UPPER: microSD Card
 - LOWER: nano SIM(UICC 4FF) Card
4. PRODUCT SPECIFICATIONS: PS-104239-301
5. PACKING SPECIFICATIONS: SPK-104239-301
6. COPLANARITY OF SOLDER TAILS: 0.08mm MAX. BEFORE & AFTER 260°C REFLOW 2TIMES
7. REFERENCE CARD DIMENSIONS ARE WITH STANDARD DIMENSION CARD
8. CUSTOMER'S CTF DIMENSION(☆) IS EQUAL TO MOLEX MAJOR QUALITY SYMBOL(▼)

104239-1430	1042391430
ORDER NO.	MATERIAL NO.

THIRD ANGLE PROJECTION



[Circuit diagram for Detection Switch of microSD card]

Card insertion condition	Card detect switch	Circuit
Without Card	Open	
Card insertion	Close	

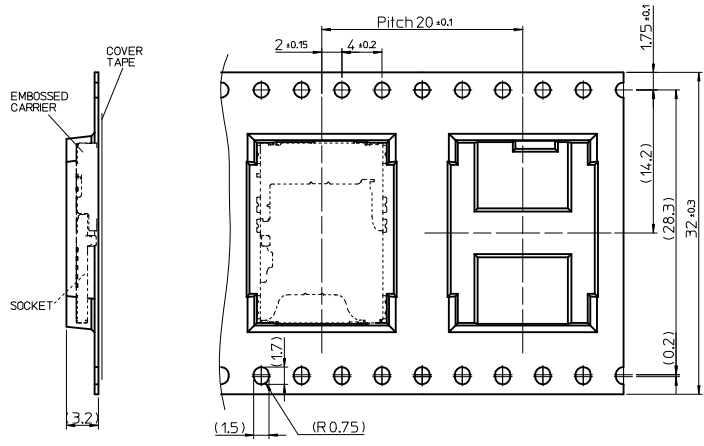
NO.	PARTS NAME	MATERIALS	FINISHES
1	CONTACT TERMINAL(14P)	COPPER ALLOY	CONTACT nanoSIM : GOLD 0.054μm MIN. OVER Pd-Ni 0.34μm MIN. CONTACT microSD : GOLD 0.054μm MIN Pd-Ni 0.24μm MIN. SWITCH : GOLD 0.14μm MIN. (Pd-Ni IS PALLADIUM NICKEL) SOLDERS : GOLD 0.054μm MIN. BASE : NICKEL 1.274μm MIN.
2	SWITCH TERMINAL	PHOSPHOR BRONZE	
3	microSD SHELL	STAINLESS STEEL	BRIGHT NICKEL 1.274μm MIN.
4	nanoSIM SHELL	STAINLESS STEEL	BRIGHT NICKEL 1.274μm MIN.
5	HOUSING	LIQUID CRYSTAL POLYMER	NATURAL(IVORY) COLOR, UL94V-0
6	PULLER	STAINLESS STEEL	NONE

RELEASED	EC NO: KOR2016-0013	2015/10/26	2015/10/27
DRWN: ICYANG	CHKD: SHCHU	2015/10/26	2015/10/27
APPR: YSKIM02			

QUALITY SYMBOLS	GENERAL TOLERANCES (UNLESS SPECIFIED)	
	mm	INCH
▼=4	4 PLACES ± ---	± ---
▽=0	3 PLACES ± 0.12	± ---
	2 PLACES ± 0.12	± ---
	1 PLACE ± 0.15	± ---
	0 PLACE ± 0.15	± ---
	ANGULAR ± 1 °	
	DRAFT WHERE APPLICABLE MUST REMAIN WITHIN DIMENSIONS	

DIMENSION STYLE		SCALE	DESIGN UNITS
MM ONLY		5/1	METRIC
DRAWN BY	DATE	TITLE	
ICYANG	2014/06/16	COMBO 2.05H PULLER TYPE MICRO SD/NANO SIM 8P6P WITH M-SD S/W	
CHECKED BY	DATE	molex	
	2014/06/16	SD-104239-301	
APPROVED BY	DATE	DOCUMENT NO.	
YSKIM02	2015/10/27	SEE TABLE	
MATERIAL NO.		SHEET NO.	
A3		1 OF 3	

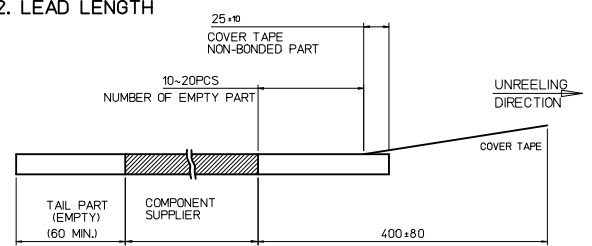
THIS DRAWING CONTAINS INFORMATION THAT IS PROPRIETARY TO MOLEX INCORPORATED AND SHOULD NOT BE USED WITHOUT WRITTEN PERMISSION



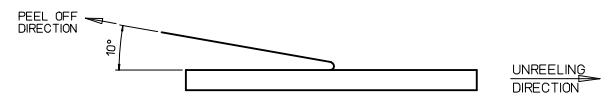
TOP VIEW OF EMBOSSED CARRIER

NOTES

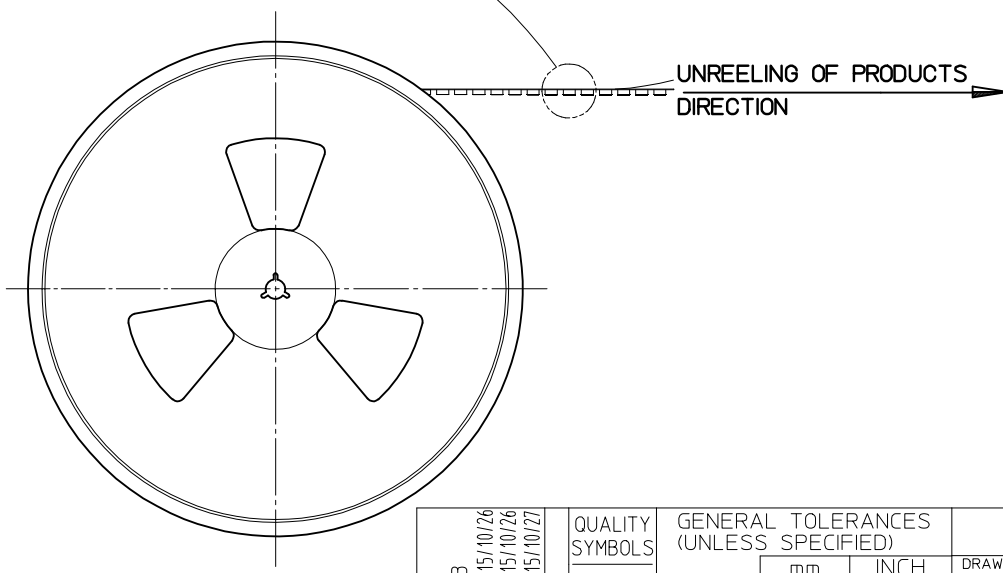
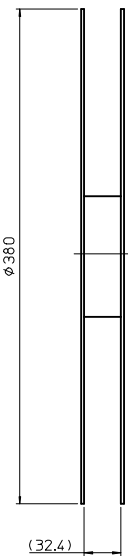
- 1. QUANTITY OF PRODUCTS : 1,500 PCS / 1 REEL
- 2. LEAD LENGTH



- 3. PEELING OFF FORCE OF COVER TAPE : 0.1N~0.59N(10.2~60gf)
(PEELING DIRECTION AS BELOW)
- PEELING OFF SPEED : 300mm/Min.(Ref.)

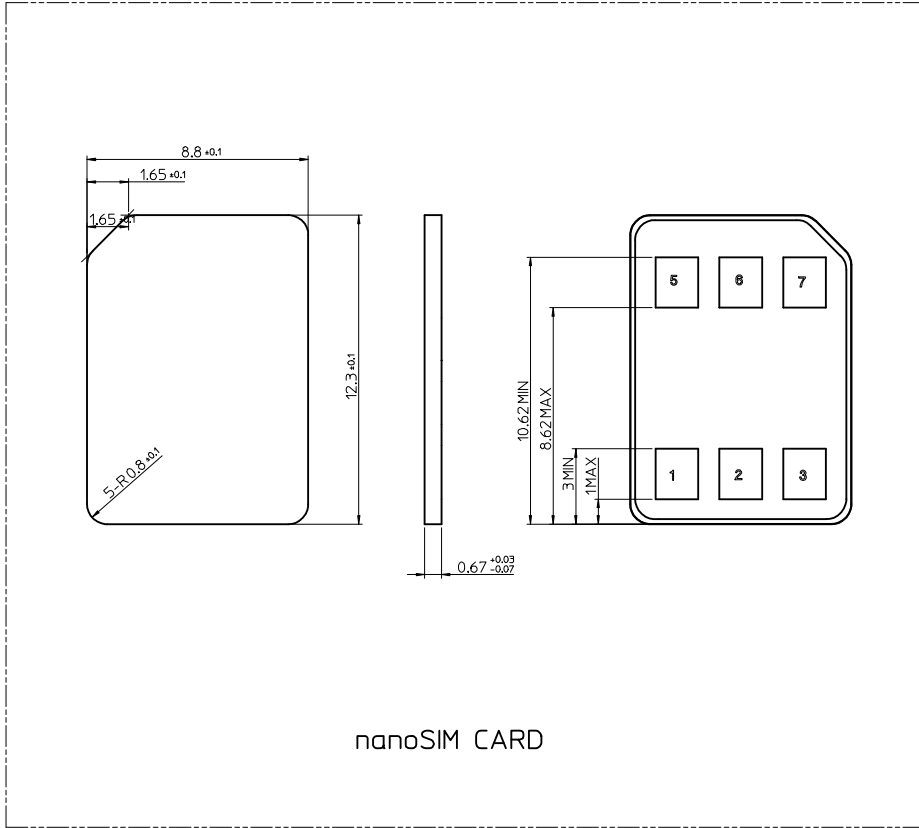


- 4. MATERIALS OF EMBOSSED CARRIER AND COVER TAPE : PET(POLYETHYLEN TEREPHTHALATE)

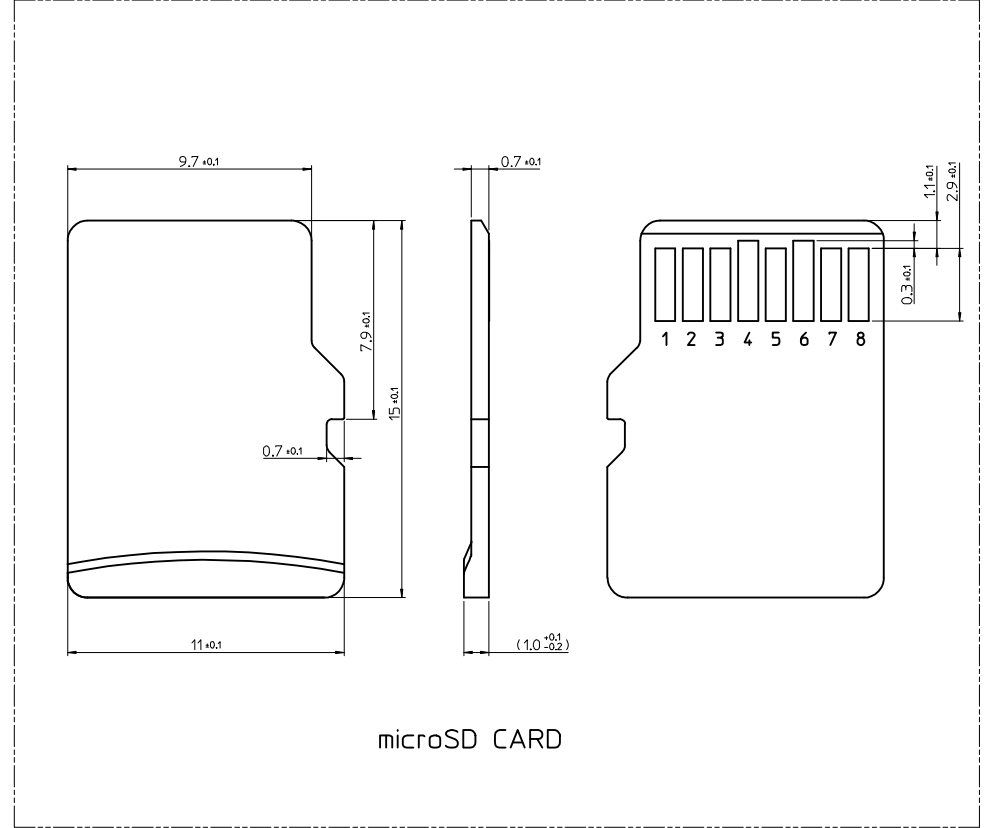


SEE SHEET1 EC NO: KOR2016-0013 DRWN: ICYANG 2015/10/26 CHKD: SHCHU 2015/10/26 APPR: YSKIM02 2015/10/27	QUALITY SYMBOLS ▽=0 ▽=0	GENERAL TOLERANCES (UNLESS SPECIFIED)		DIMENSION STYLE MM ONLY	SCALE 2/1	DESIGN UNITS METRIC	THIRD ANGLE PROJECTION	
			mm	INCH	DRAWN BY ICYANG	DATE 2014/06/16	TITLE COMBO 2.05H PULLER TYPE MICRO SD/NANO SIM 8P6P WITH M-SD S/W	
		4 PLACES	± ---	± ---	CHECKED BY	DATE 2014/06/16	molex	
		3 PLACES	± 0.12	± ---	APPROVED BY YSKIM02	DATE 2015/10/27		
2 PLACES	± 0.12	± ---	MATERIAL NO.	DOCUMENT NO.		SHEET NO.		
1 PLACE	± 0.15	± ---	SEE SHEET1		SD-104239-301	2 OF 3		
0 PLACE	± 0.15	± ---	THIS DRAWING CONTAINS INFORMATION THAT IS PROPRIETARY TO MOLEX INCORPORATED AND SHOULD NOT BE USED WITHOUT WRITTEN PERMISSION					
ANGULAR ± 1 °		DRAFT WHERE APPLICABLE MUST REMAIN WITHIN DIMENSIONS		SIZE A3				

REFERENCE CARDS DRAWING



nanoSIM CARD



microSD CARD

[Reference Standards]

-. microSD Card Specification Addendum Version 4.00

-. ETSI TS 102 221 V12.0.0, Smart Cards; UICC-Terminal interface; Physical and logical characteristics

SEE SHEET1 IEC NO: KOR2016-0013 DRWN: ICYANG CHKD: SHCHU APPR: YSK IM02	REV DESCRIPTION	QUALITY SYMBOLS	GENERAL TOLERANCES (UNLESS SPECIFIED)		DIMENSION STYLE	SCALE	DESIGN UNITS	THIRD ANGLE PROJECTION
		▽=0 ∇=0	mm	INCH	MM ONLY	5/1	METRIC	
			4 PLACES ± --- ± ---		DRAWN BY DATE			TITLE COMBO 2.05H PULLER TYPE MICRO SD/NANO SIM 8P6P WITH M-SD S/W
			3 PLACES ± 0.12 ± ---		ICYANG 2014/06/16			
	2 PLACES ± 0.12 ± ---		CHECKED BY DATE			DOCUMENT NO. SD-104239-301		
	1 PLACE ± 0.15 ± ---		2014/06/16					
	0 PLACE ± 0.15 ± ---		APPROVED BY DATE			SHEET NO. 3 OF 3		
			YSK IM02 2015/10/27					
			ANGULAR ± 1 °	MATERIAL NO.				
			DRAFT WHERE APPLICABLE MUST REMAIN WITHIN DIMENSIONS	SEE SHEET1				
				SIZE A3	THIS DRAWING CONTAINS INFORMATION THAT IS PROPRIETARY TO MOLEX INCORPORATED AND SHOULD NOT BE USED WITHOUT WRITTEN PERMISSION			