

LOC	DIST	F	LTR	REVISIONS	DATE	OWN	APVD
A1	-	M9	REVISED PER ECO-11-005150	ÄNDERUNGEN	14APR2011	RK	HMR
		M10	Swage in insulation area section C-C corrected	BESCHREIBUNG	01JUN2011	Kirs.	Merz

REMARKS  
Bemerkungen

1 PRE TINNED  
vorverzinkt 1-2 µm

2 FINISH: ELECTROPLATED SILVER  
Oberfläche: galvanisch versilbert

ZONE "A": MIN 1-3 µm Ag  
min 1-3 µm Ag

ZONE "B": MIN 1-3 µm ELECTROPLATED SN  
min 1-3 µm galvanisch Sn

REST: SILVER OR TIN ALLOWED. IN TRANSITION AREAS  
OVERLAPPING LAYER OR PLAIN SURFACES ARE NOT ALLOWED.  
Silber oder Zinn erlaubt. Im Übergangsbereich sind keine  
überlappenden Schichten oder blanke Stellen erlaubt.

3 PLAIN  
blank

4 FINISH: ROLL-CLAD GOLD  
Oberfläche: walzplattiert Gold

ZONE "A": MIN 1.2 µm AuNi5 OVER 10±2 µm Ni INTERFACE LAYER  
min 1.2 µm AuNi5 ueber 10±2 µm Zwischenschicht

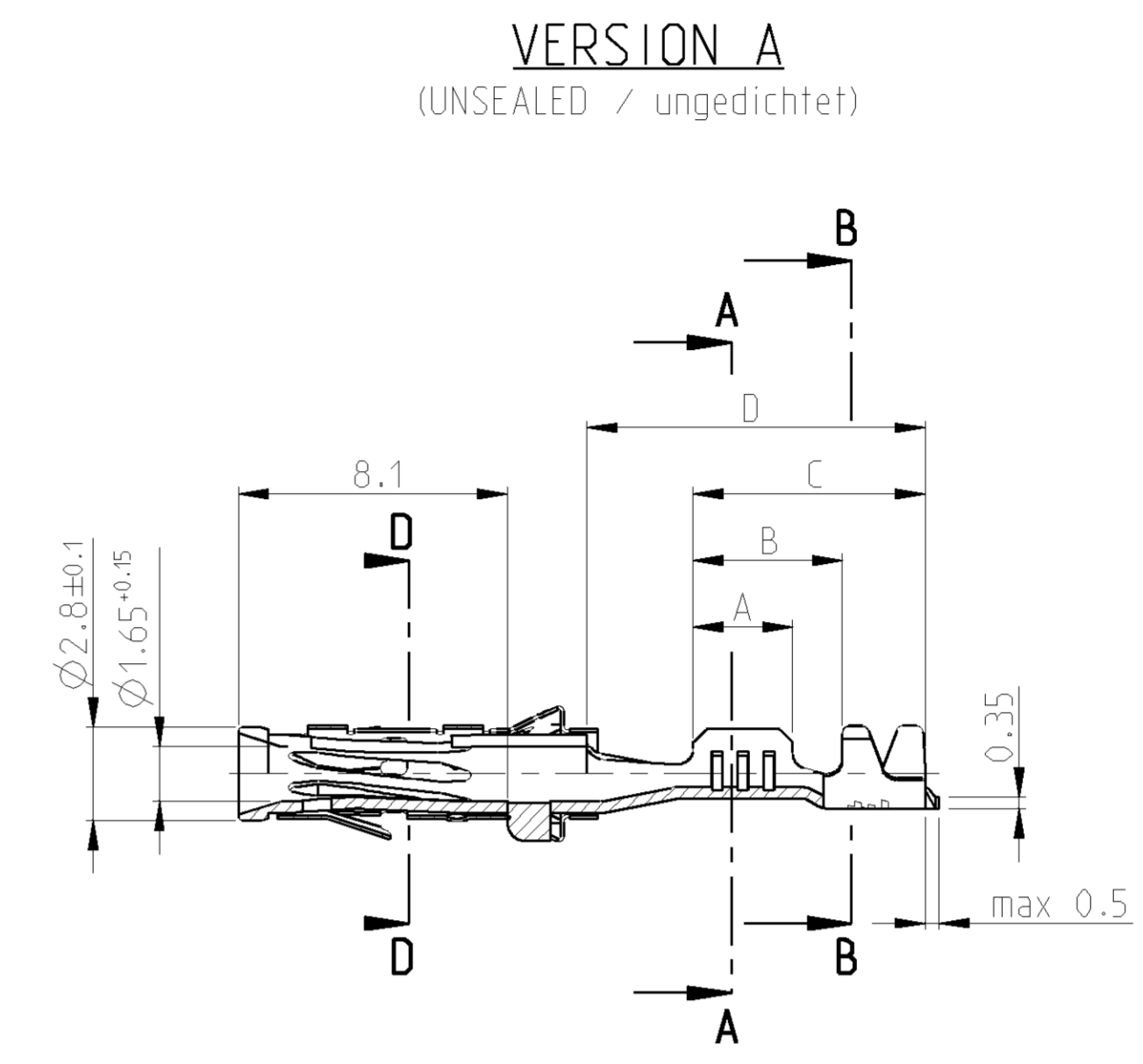
REST: MIN. 1-2 µm ELECTROPLATED Sn  
min. 1-2 µm galvanisch Sn

5 FINISH: ELECTROPLATED GOLD  
Oberfläche: galvanisch vergoldet

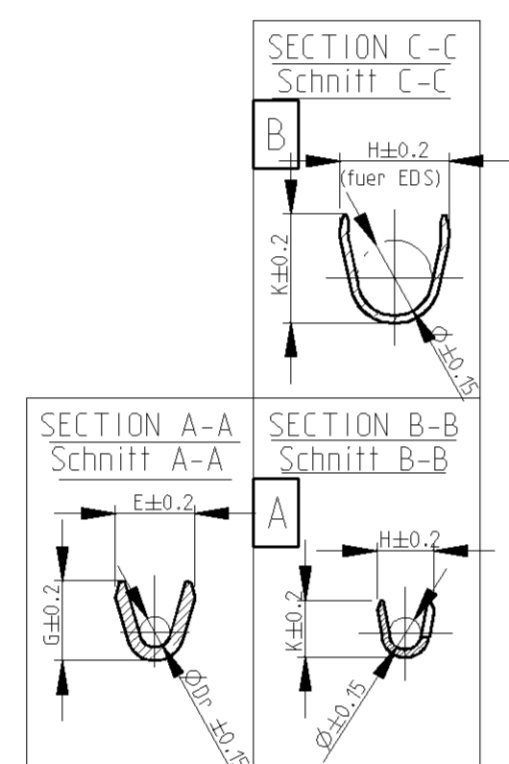
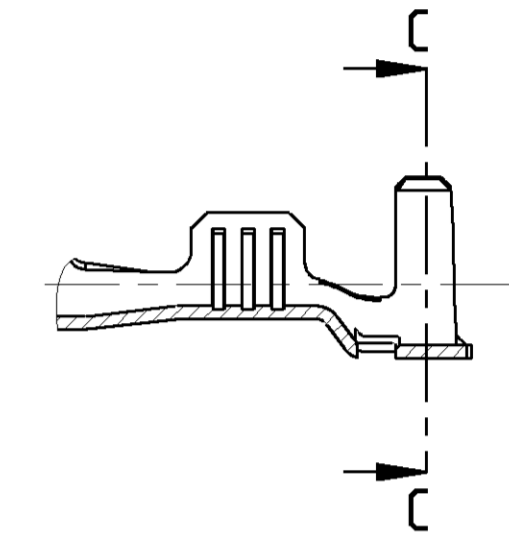
ZONE "A": MIN 0.8 µm ELECTROPLATED Au OVER MIN 1.3 µm ELECTROPLATED Ni LAYER  
AT CONTACT AREA  
min 0.8 µm galvanisch Au ueber min 1.3 µm galvanisch Ni Zwischenschicht  
im Kontaktbereich

ZONE "B": MIN 1-2 µm ELECTROPLATED Sn OVER MIN 0.05 µm ELECTROPLATED Ni LAYER  
min 1-2 µm galvanisch Sn ueber min 0.05 µm galvanisch Ni Zwischenschicht

REST: Au, Sn OR Ni SURFACE. NO PLAIN SURFACES ALLOWED.  
Au, Sn ober Ni Oberfläche. Keine blanken Stellen erlaubt.

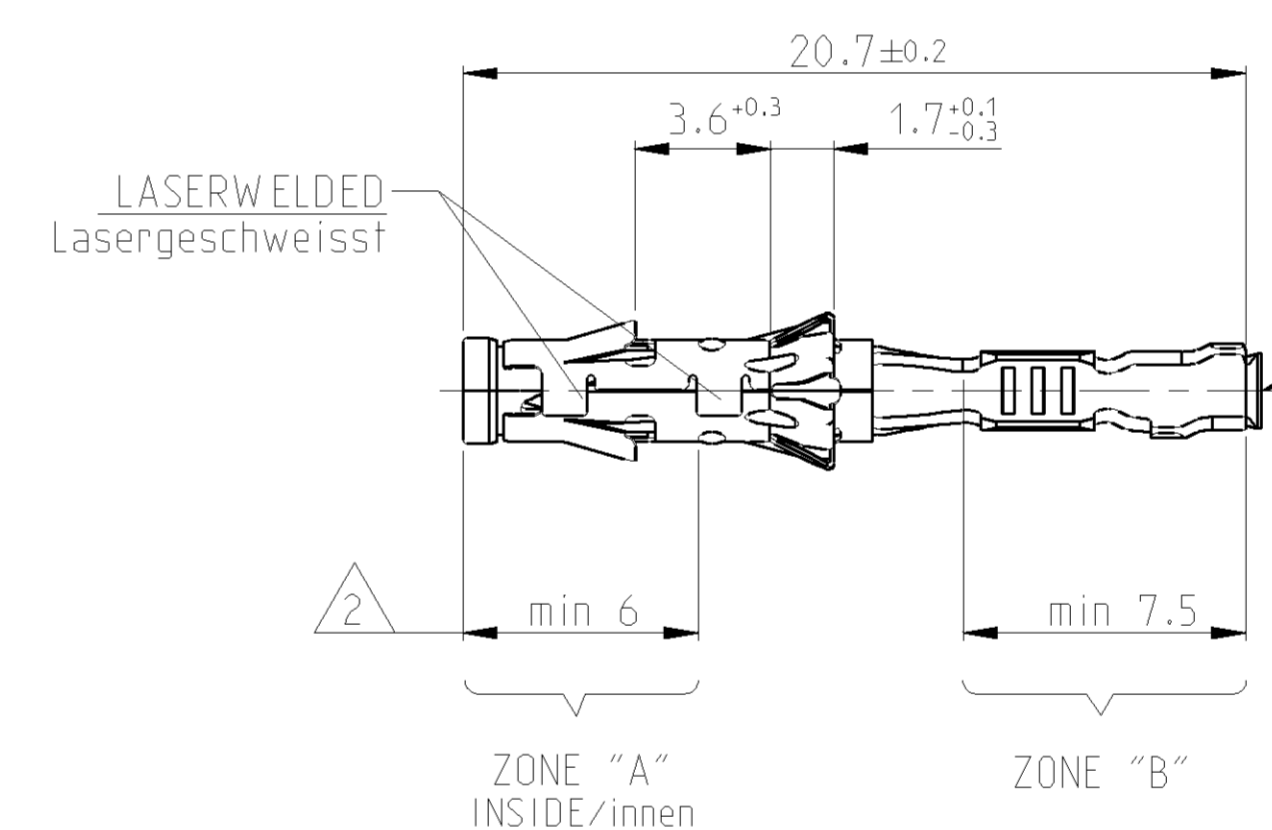


VERSION B  
(SINGLE WIRE SEAL-SYSTEM /  
Einzel-Dichtungs-System)  
DGB 0.5 - 2.5 mm

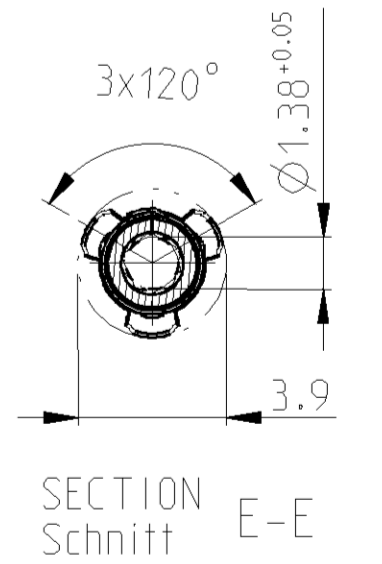
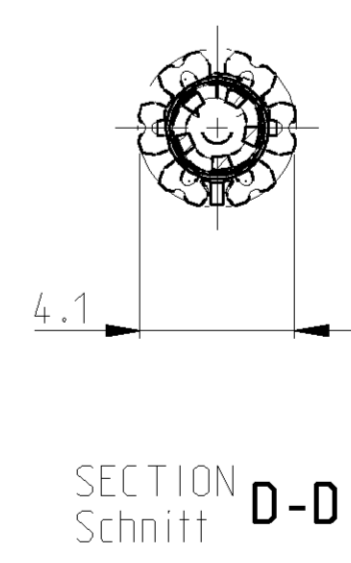


Version B (SINGLE WIRE SEAL-SYSTEM/ Einzel-Dichtungs-System)	ORDER-No.	ORDER-No.	MATERIAL	SURFACE	DGB	ISOL. Ø	WIRE CRIMP	INSUL.-CRIMP	A	B	C	D	ORDER-No.	ORDER-No.
	SINGLE SEAL	DEAD END PLUG												
1-929990-0	1-962999-0	K	CuNi18Zn20	3	>1.0-2.5	2.2-3.0	E=3.6 G=3.8 Ø <sub>Dr</sub> =1.7	H=5.0 K=5.0 Ø=3.6	4	7.2	8.7	10.4	828905-1	828922-1
929990-7	962999-7	K	CuNiSi	2										
929990-4	962999-4	K	CuFe2	1										
929990-3		K	CuNiSi	4										
929990-1	962999-1	K	CuNiSi	1										
1-929989-0	1-962998-0	A	CuNi18Zn20	3	0.5-1.0	1.2-2.1	E=2.6 G=2.8 Ø <sub>Dr</sub> =1.1	H=4.8 K=4.8 Ø=3.2	3	5.4	7	10.2	828904-1	828922-1
929989-8	962998-8	A	CuNiSi	5										
929989-7	962998-7	A	CuNiSi	2										
929989-4	962998-4	M	CuFe2	1										
929989-1	962998-1	M	CuNiSi	1										
929988-4	962997-4	J	CuFe2	1										
929988-1	962997-1	J	CuNiSi	2	0.2-0.4	1.2-2.1	E=2.1 G=2.1 Ø <sub>Dr</sub> =0.8	H=4.7 K=4.5 Ø=3.2	3	5.4	7	10.2	828904-1	828922-1

Version A (UNSEALED / ungedichtet)	ORDER-No.	ORDER-No.	MATERIAL	SURFACE	DGB	ISOL. Ø	WIRE CRIMP	INSUL.-CRIMP	A	B	C	D	ORDER-No.	ORDER-No.
	SINGLE SEAL	DEAD END PLUG												
929987-4	962996-4	L	CuFe2	1	>1.0-2.5	1.9-3.0	E=3.6 G=3.8 Ø <sub>Dr</sub> =1.7	H=4.3 K=4.5 Ø=2.6	4	5.5	8.5	10.2		
929987-1	962996-1	L	CuNiSi	1										
929986-4	962995-4	L	CuFe2	1	0.5-1.0	1.4-2.1	E=2.6 G=2.8 Ø <sub>Dr</sub> =1.1	H=3.2 K=3.4 Ø=1.8	3	4.5	7	10.2		
929986-1	962995-1	L	CuNiSi	1										
929985-4	962994-4	J	CuFe2	1	0.2-0.4	1.15-1.6	E=2.1 G=2.1 Ø <sub>Dr</sub> =0.8	H=2.5 K=2.5 Ø=1.4	3	4.5	7	10.2		
929985-1	962994-1	J	CuNiSi	1										



CUT-OFF FOR STRIP FORM AND LP-PARTS  
Trennstelle fuer Bandware und LP Teile



THIS DRAWING IS A CONTROLLED DOCUMENT.		OWN Abraham, G.	17OCT2003		TE Connectivity
DIMENSIONS: MASSENMEN (mm)		CHK Goepfel, C.	18OCT2003		NAME
TOLERANCES UNLESS OTHERWISE SPECIFIED: ALLGEMEINERBEZUGEN		APVD Bleichner, M.	22OCT2003	SIZE	A1
D PLC ±0.15 P PLC ± S PLC ± S PLC ±		PRODUCT SPEC 108-18028		CAGE CODE	00779
FINISH/OBERFLAECHE/FARB		APPLICATION SPEC VERARBEITUNGSPEZ. 114-15040		DRAWING NO. 1355063	RESTRICTED TO NR FUER
MATERIAL		WEIGHT 0.4g		SCALE 5:1	SHEET 1
		CUSTOMER DRAWING		SCALE	OF 1