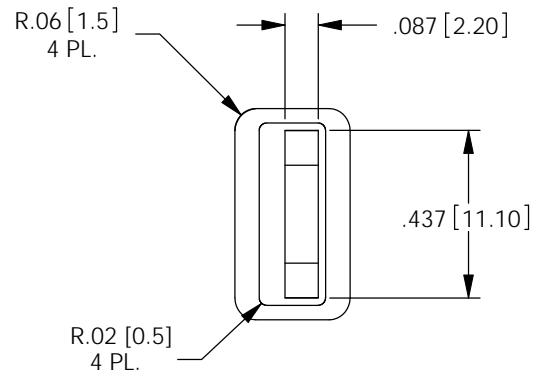
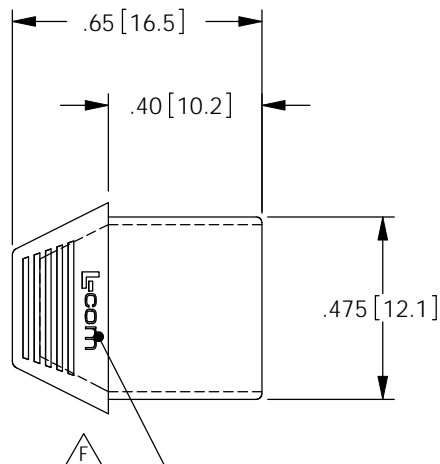
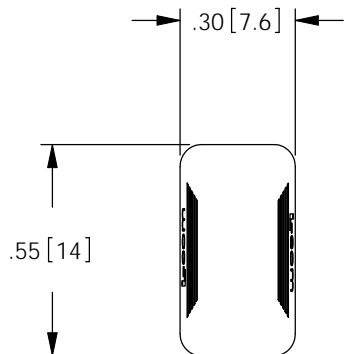
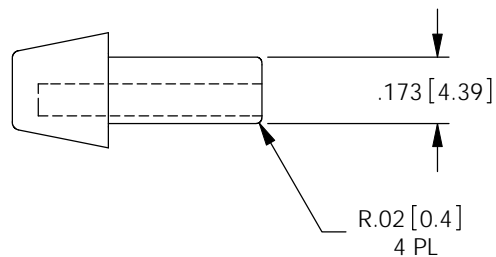


THE INFORMATION CONTAINED IN THIS DRAWING IS THE SOLE PROPERTY OF L-COM, INC. ANY REPRODUCTION IN PART OR WHOLE WITHOUT THE WRITTEN PERMISSION OF L-COM, INC. IS PROHIBITED.

REVISIONS			
REV	DESCRIPTION	DATE	APPROVED
E	ECN 5020: .087 [2.20] WAS .083 [2.11]	9/9/10	D. CASTRO
F	ECN 5863: REVISE TO NEW LOGO	11/29/11	D. FRISIELLO




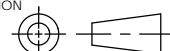
"L-com" TO APPEAR ON BOTH SIDES LOCATED AS SHOWN



NOTES:

1. MATERIAL: ABS, COLOR BLACK.
2. ROHS COMPLIANT.
3. PACKAGING: 10 PIECES PER BAG.
4. ALL DIMENSIONS ARE FOR REFERENCE ONLY.

RoHS Compliant ✓

UNLESS OTHERWISE SPECIFIED, DIMENSIONS ARE IN INCHES [mm] DIMENSIONAL TOLERANCES: .X = ±.1 .XX = ±.01 .XXX = ±.005 ANGULAR TOLERANCES: ALL = ± 1°	APPROVALS	DATE	 45 BEECHWOOD DRIVE NORTH ANDOVER, MA 01845		
	DRAWN BY C.MCCORMICK	11/24/2003			
	CHECKED BY D.PARHAM	11/24/2003	CATEGORY	USB	
	APPROVED BY R.CARRICK	11/24/2003	PRODUCT DESCRIPTION	DUST CAP; USB TYPE "A" JACK	
PROJECTION 	COLOR VARIATIONS MAY OCCUR	SIZE A	FSCM NO. 43321	DWG. NO. CAPUSB-A	REV. F
REF	SCALE: NONE	CAD FILE: CAPUSB-A.SLDDRW	SHEET 1 OF 1		