

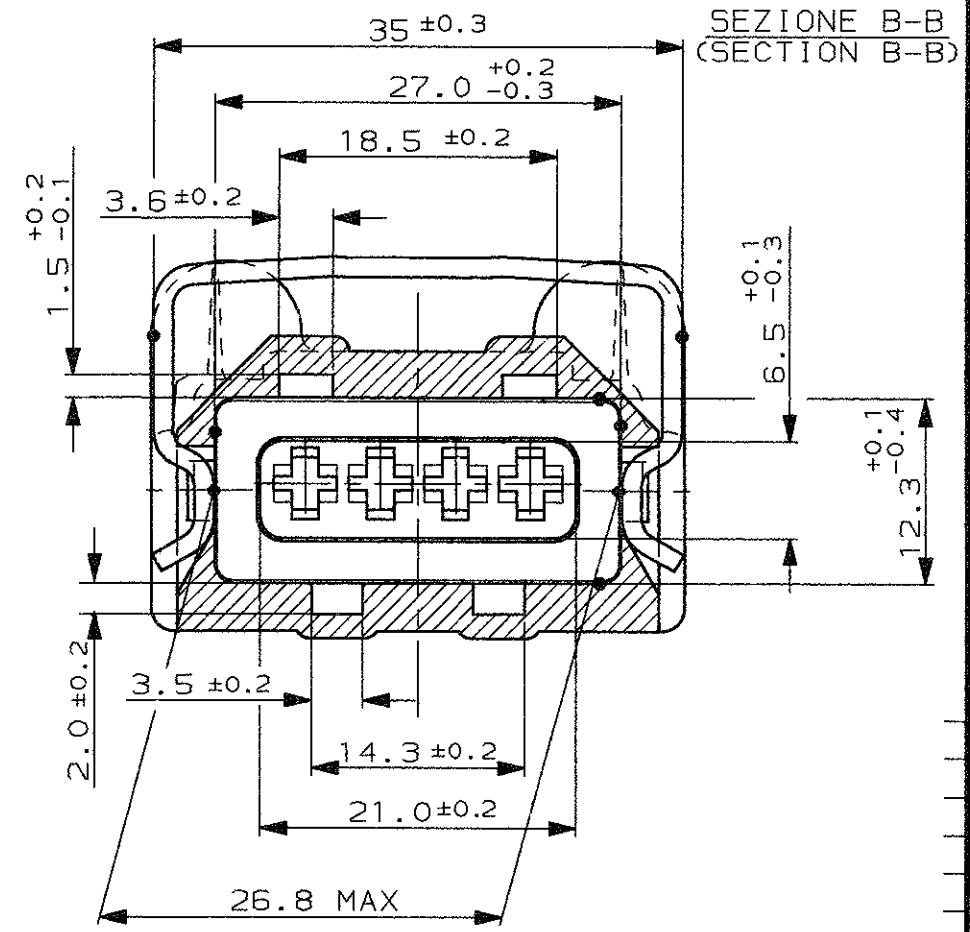
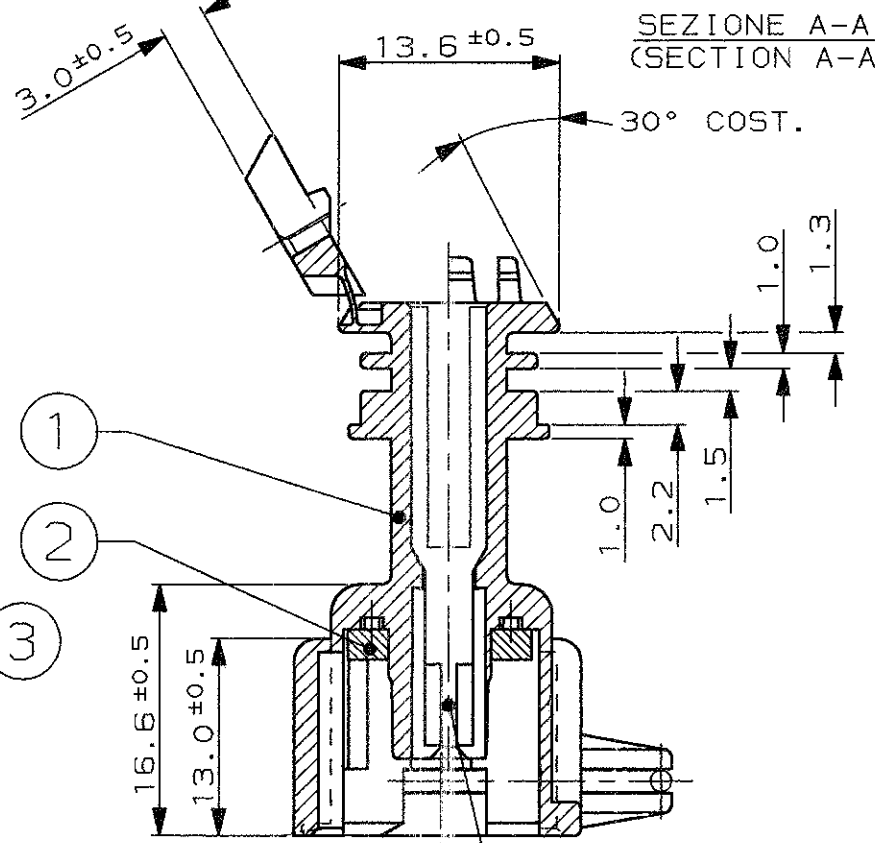
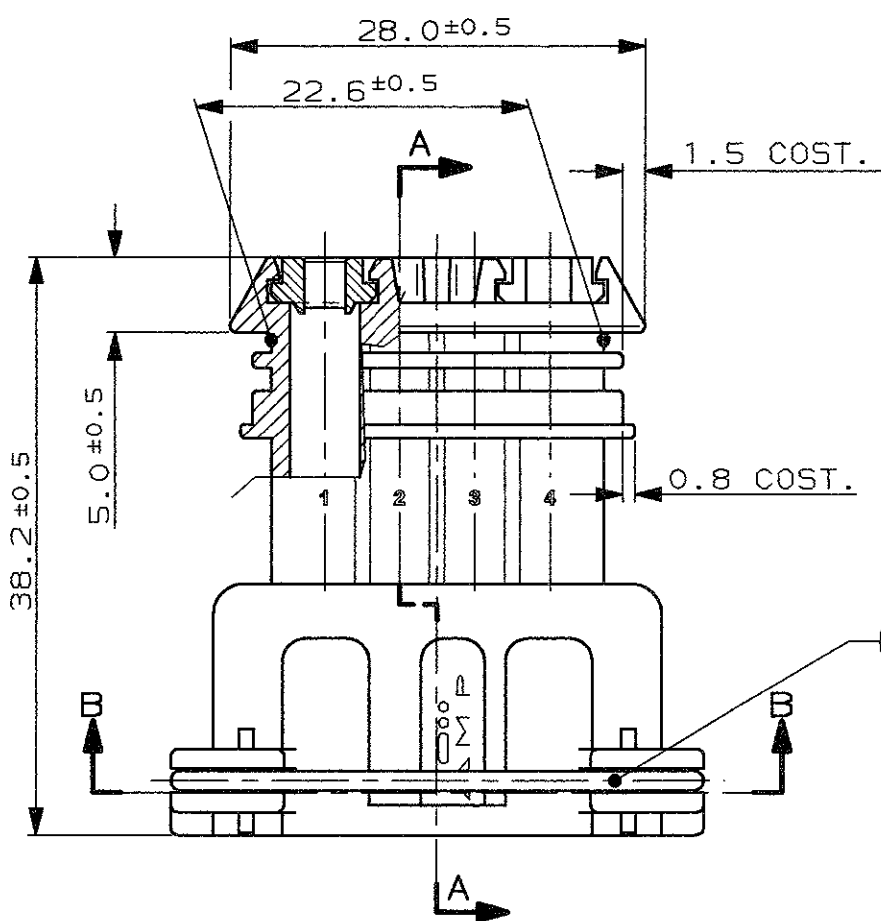
CONNETTORE TIPO A (CON MOLLA DI RITEGNO ESTERNA)
CONNECTOR TYPE A (WITH EXTERNAL SPRING)

SCALA NON IMPEGNATIVA
(DO NOT SCALE)
DIMENSIONI IN mm
(DIMENSIONS IN)

METRIC

PROIEZIONE EUROPEA
(EUROPEAN PROJECTION)

A
B
C
D
E
F

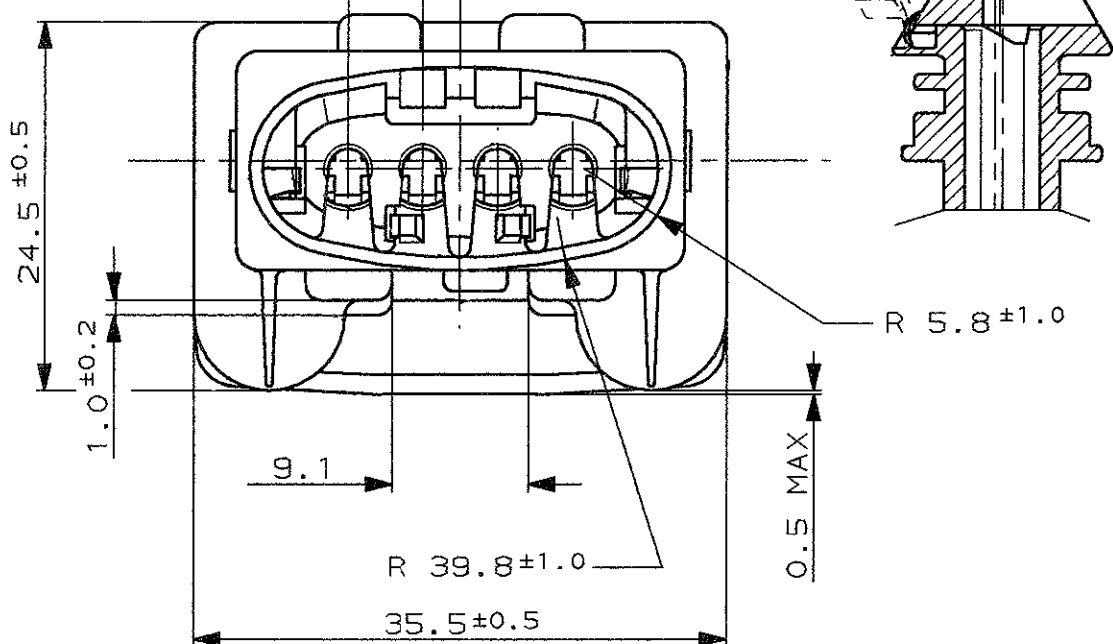


TIP. CAVITA' PER TERMINALI AMP JPT P/N 929939-...
OPPURE 929937-... E RELATIVI GOMMINI
P/N 828904-1, 828905-1, 282536-1.
TAPPO CAVITA' P/N 828906-2
(TYP. CAV. FOR JPT CONT. P/N 929939-... A/O 929937-... AND REL.
SINGLE WIRE SEAL P/N 828904-1, 828905-1, 282536-1
CAVITY PLUG P/N 828906-2)

ASSE CONNETTORE
(CONNECTOR CENTER LINE)

ASSE CAVITA'
(CAVITY CENTER LINE)

PASSO 5.0±0.15 TIP.
(PITCH 5.0±0.15 TYP.)



ROSSO (RED)	---					
GIALLO (YELLOW)	---					
MARRONE (BROWN)	282192-3	N	3	///////	ACCIAIO INOX (STAINLESS STEEL)	MOLLA (SPRING)
BLU (BLUE)	---					
VERDE (GREEN)	---		2	NATURALE (NATURAL)	GOMMA (RUBBER)	GUARNIZIONE (RUBBER GASKET)
NATURALE (NATUR)	---					
GRIGIO (GREY)	282192-2				PA 6.6	BLOCCHETTO (HOUSING)
NERO (BLACK)	282192-1	N	1	///////		
COLORE COLOR	NUMERO PART N°	ASSY REV.	N° (ITEM)	FINITURA / COLORE (FINISH / COLOUR)	MATERIALE (MATERIAL)	DESCRIZIONE (DESCRIPTION)

CUSTOMER DWG. FOR REFERENCE ONLY
DISEGNO PER CLIENTE SOLO PER RIFERIMENTO

THIS DRAWING IS UNPUBLISHED | RELEASE FOR PUBLICATION

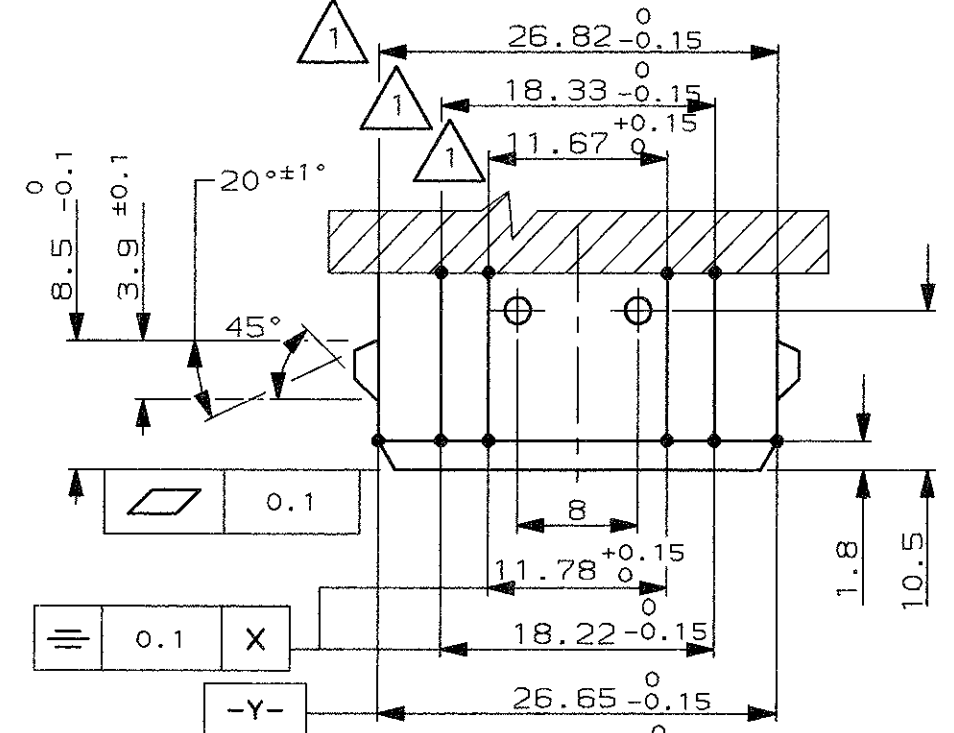
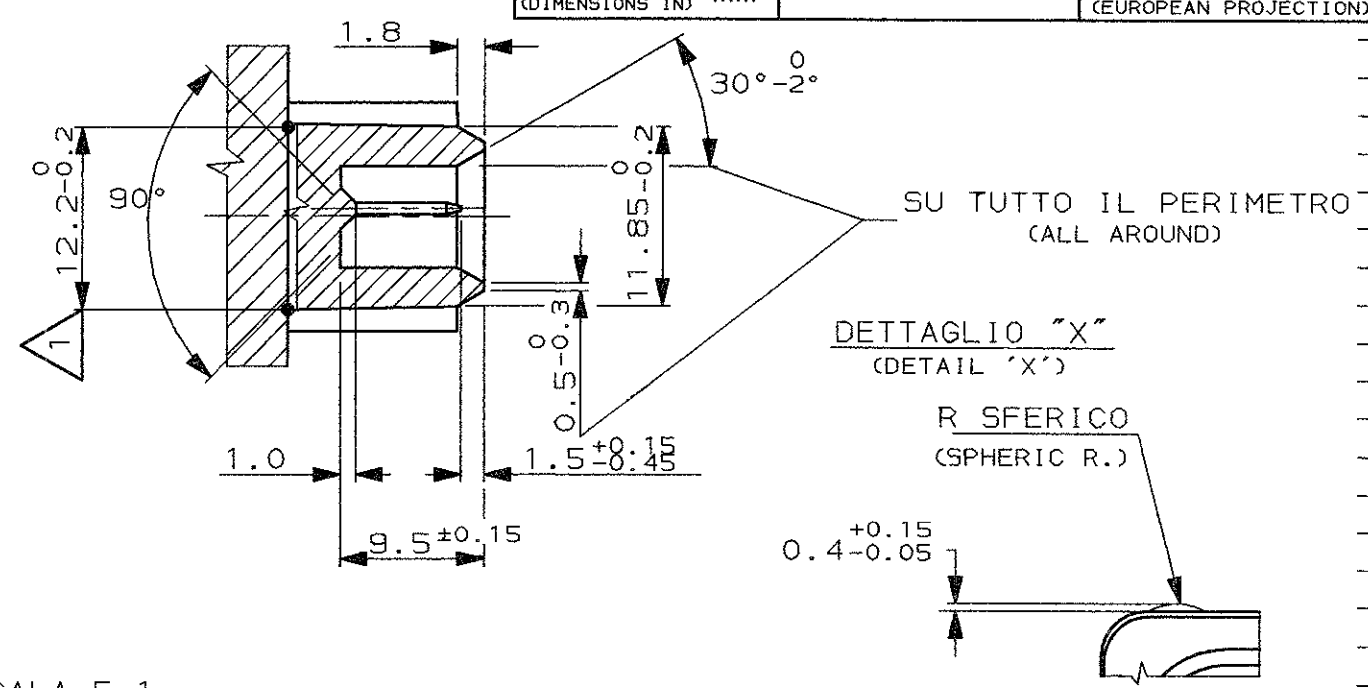
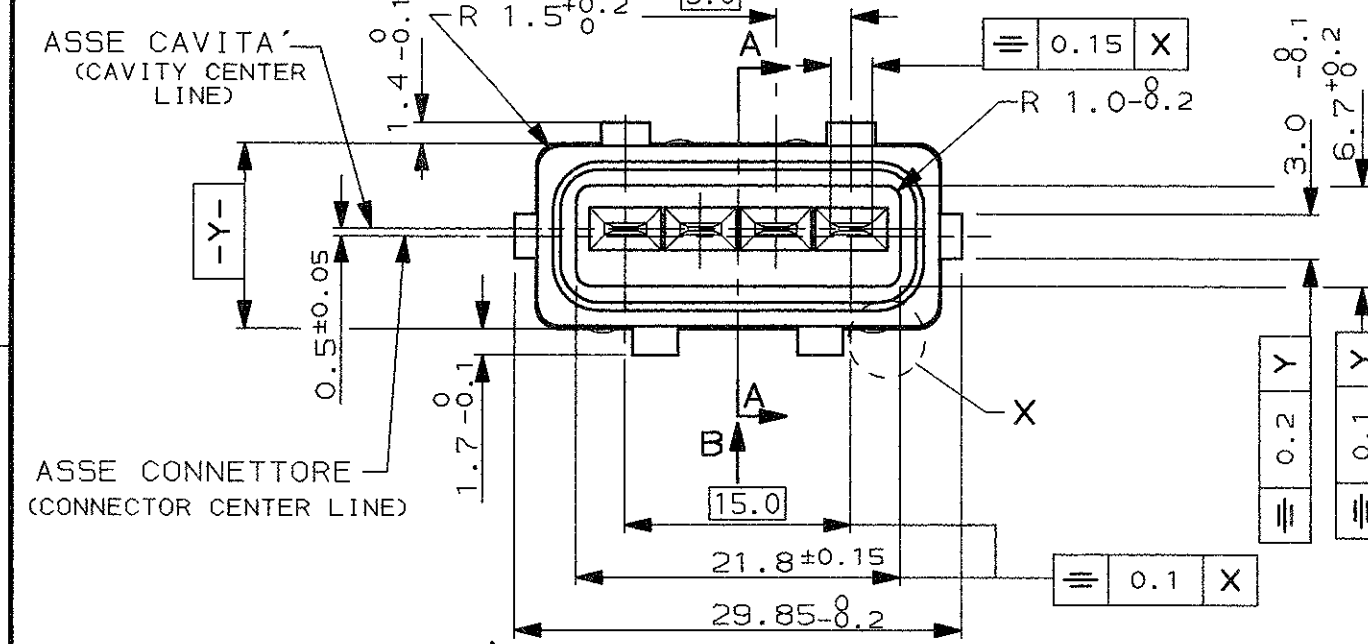
TOLLERANZE, SE NON DIVERSAMENTE SPECIFICATO (TOLERANCES, UNLESS OTHERWISE SPECIFIED)	DIAM. ISOLANTE (INS. DIA. RANGE) 1.5-3.0 (REDUCED INS. CABLE)	RANGO FILO (WIRE RANGE) 0.5-2.5 mm ²	SCALA (SCALE) ***
± 0.3	TE Connectivity		
ANGOLI (ANGLES) ± 2°			

DIS. NOV. 9. '90
(DR.)
Ennio CINI

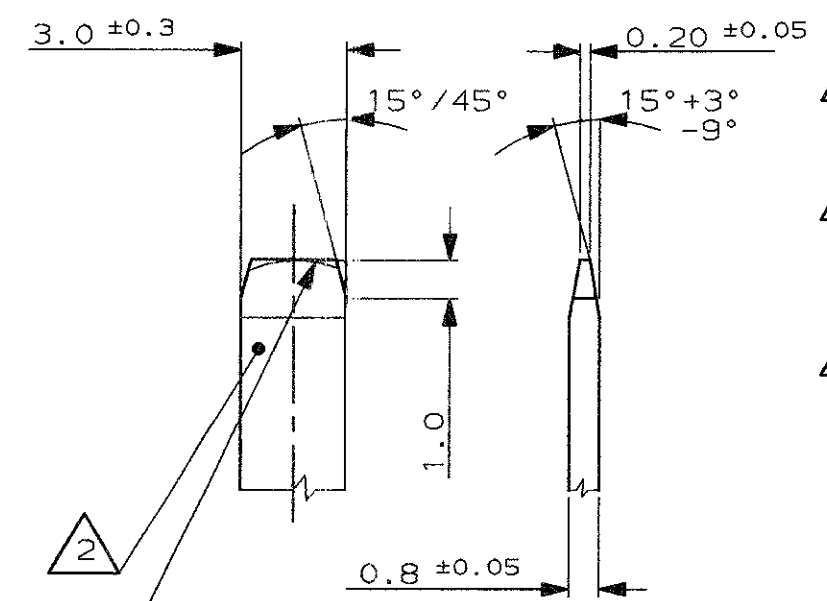
DESCRIZIONE
(DESCRIPTION)
4 W. SPLASH PROOF CONN. ASS'Y
with SECONDARY LOCK

N	ECR-14-003472	MP	24MAR14	CONT. 13 OCT 92 (CHK) C. TARTARI	LOC. SIZE	NUMERO (DWG NO)	REV.	FOGLIO (SHEET)
M2	REVISED PER ECO-11-005033	RK	5APR11		I A3	C-282192	N	1
REV. (REV. N°)	REVISIONI (REVISION RECORD)	DIS. (DR)	DATA (DATE)	APP. (APP.)				D1 (COP)

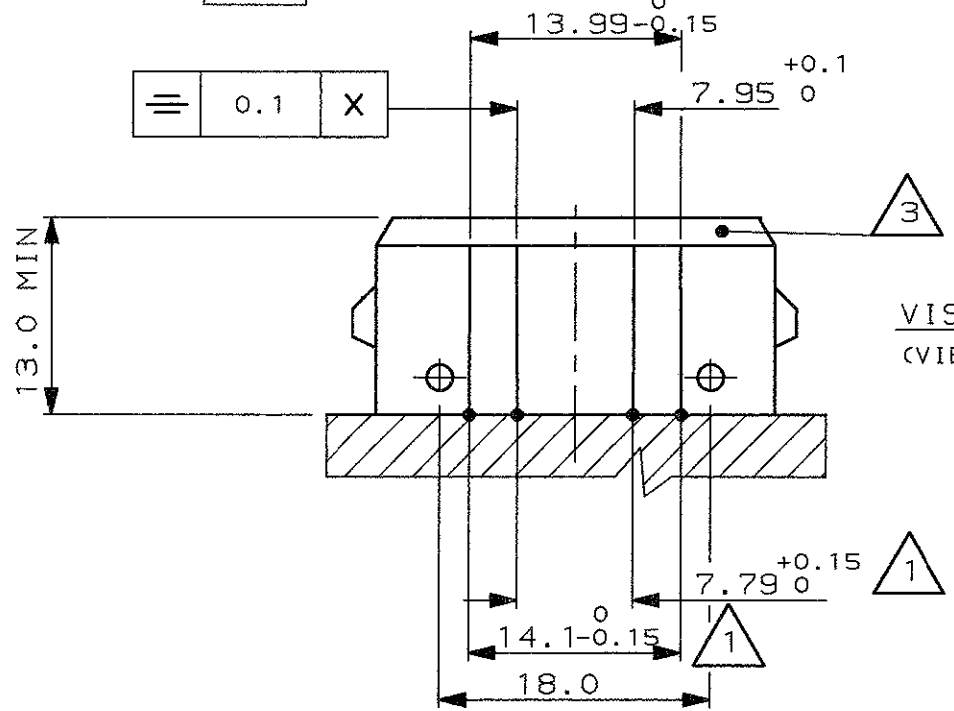
DISTRIBUZIONE
(PRINT DIST.)



DETT. TAB - SCALA 5:1 (TAB DETAIL)



- 1 QUOTE APPLICABILI PER SFORMATURA PEZZO (DRAFT PERMITTED TO FACILITATE REMOVAL OF PART FROM THE MOULD)
- 2 MATERIALE LINGUETTE: LEGA DI RAME STAGNATA, ES. OTTONE STAGNATO. (TAB CONTACT MATERIAL: TIN PLATED COPPER ALLOY. E.G. BRASS TIN PLATED)
- 3 MATERIALE BLOCCHETTO: TERMOPLASTICO CARICATO FIBRA VETRO. (HOUSING MATERIAL: THERMOPLASTIC, GLASS FIBER FILLED)



FINITURA / COLORE (FINISH / COLOUR)	MATERIALE (MATERIAL)	NUMERO (PART NUMBER)
CUSTOMER DWG. FOR REFERENCE ONLY	DISEGNO PER CLIENTE SOLO PER RIFERIMENTO	
THIS DRAWING IS UNPUBLISHED		RELEASE FOR PUBLICATION
TOLLERANZE: SE NON DIVERSAMENTE SPECIFICATO (TOLERANCES, UNLESS OTHERWISE SPECIFIED)	DIAM. ISOLANTE (INS. DIA. RANGE)	RANGO FILO (WIRE RANGE)
± 0.3	---	---
ANGOLI (ANGLES)	SCALA (SCALE)	
± 2°	---	
DIS. (DR.)	DESCRIZIONE (DESCRIPTION)	
CONT. (CHK)	4 POS. SPLASH PROOF CONN. ASS'Y with SECONDARY LOCK	
APP. (APP.)	LOC. (LOC.)	SIZE (SIZE)
---	IA3	NUMERO (DWG NO.)
---	---	C-282192
---	---	REV. (REV.)
---	---	N
---	---	F0GLIO (SHEET)
---	---	2 DI (COP)

SEE SHEET 1 OF 2

REV. (REV.)	REVISIONI (REVISION RECORD)	DIS. DATA (DR. DATE)
---	---	---

DISTRIBUZIONE (PRINT DIST.)