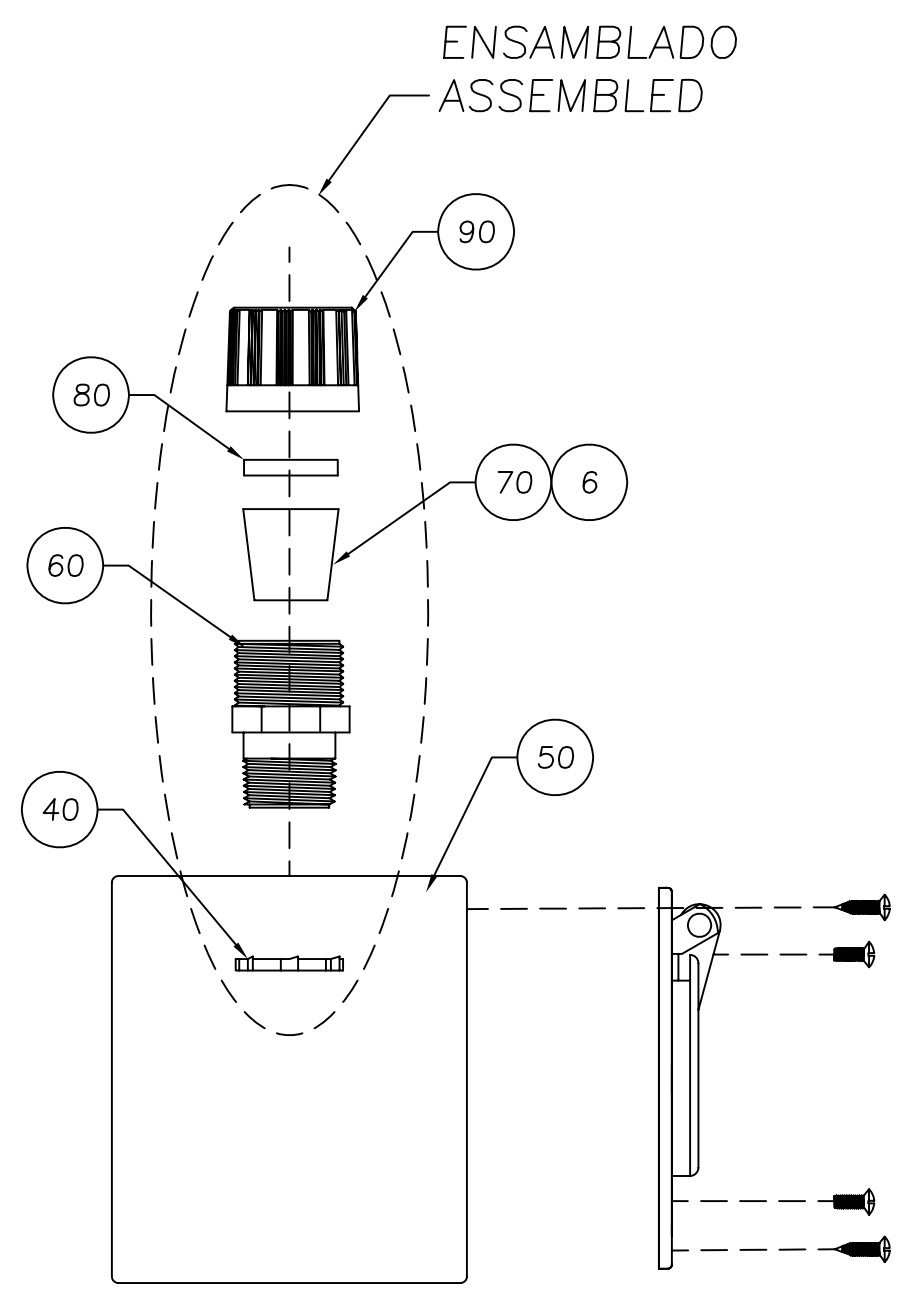
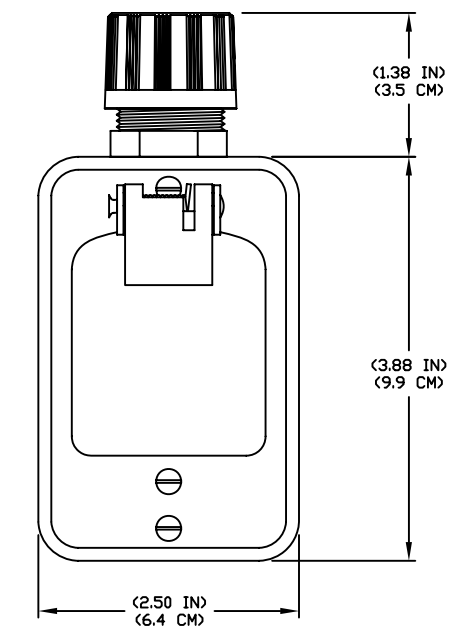
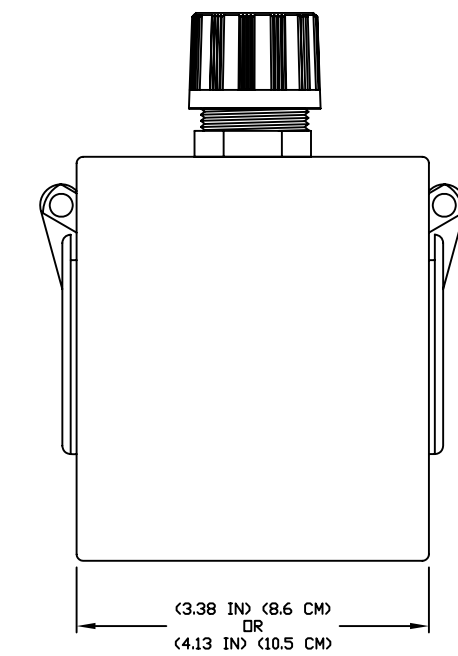


REV	ECN	BY	DATE	DESCRIPTION	CKD
A	15940	AL	04/30/02	RELEASED DRAWING	AL



ASSEMBLE CORD GRIP, GROMMET, FRICTION RING AND COMPRESSION NUT TO RUBBER BOX ONLY
 ENSAMBLE AGARRADERA O GRIP, GROMMET, ANILLO DE FRICCION Y TUERCA DE COMPRESION, SOLO EN CAJA DE RUBBER

3006

THIS DRAWING CONTAINS INFORMATION PROPRIETARY TO THE WOODHEAD L.P. AND SHOULD NOT BE USED WITHOUT WRITTEN PERMISSION FROM SAME.

ACAD DRAWING TYPE: MAD

 THIRD ANGLE PROJECTION

DRAWN BY: AL	DATE: 04/30/02	W Woodhead L. P. 3411 Woodhead Dr., Northbrook, IL 60062
CHECKED BY:	DATE:	
ENG. APPV: AL	DATE: 04/30/02	TITLE: SUPER-SAFEWAY OUTLET BOX WITH FLIP LIDS COVERPLATE ONLY
MATERIAL:	FINISH:	SIZE: DRAWING No. 3006/08/82/86
UNLESS OTHERWISE SPECIFIED TOLERANCES ARE .X = ±.020 .XX = ±.010 .XXX = ±.005 FRACTIONAL = ± 1/64 ANGULAR = ± 1/2°		REV: A
SCALE: PROJECT No.		SHEET: 1 OF 1