

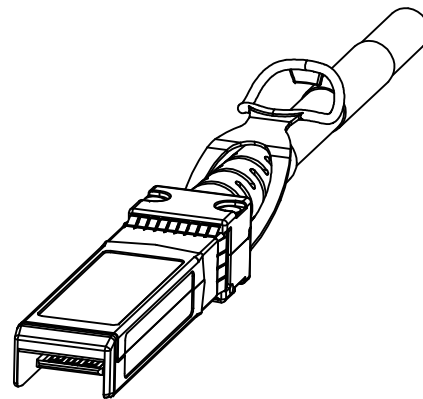
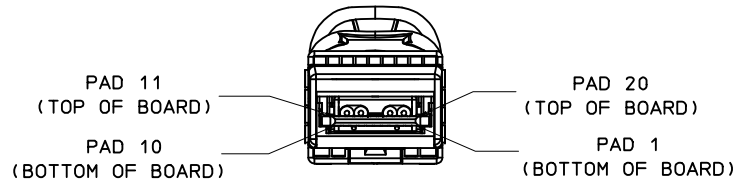
NOTES:

1. MATERIALS  
 BACKSHELLS - NICKEL PLATED ZINC  
 DE-LATCH - PLASTIC  
 PCB - HALOGEN FREE, UL94 V-0  
 RIVETS - STAINLESS STEEL
2. IMPEDANCE - 100 OHMS DIFFERENTIAL, PASSIVE
3. PULL TO RELEASE, PLUNGER STYLE LATCH
4. EACH ASSEMBLY HAS A SERIAL ID
5. RoHS COMPLIANT, NO EXEMPTIONS.

UPDATED P/N TABLE IEC NO: CPG2016-1793 DRAWN: WALLACE01 2015/10/27 CHKD: APPR: CHRISCHY 2015/10/28 REY:	QUALITY SYMBOLS	GENERAL TOLERANCES (UNLESS SPECIFIED)	DIMENSION STYLE	SCALE	DESIGN UNITS	THIRD ANGLE PROJECTION	
	▽=0	mm INCH	MM ONLY	2.5:1	METRIC		
	▽=0	4 PLACES ± ---					
	▽=0	3 PLACES ± ---					
		ANGULAR ± 2 °					
		DRAFT WHERE APPLICABLE MUST REMAIN WITHIN DIMENSIONS	SEE P/N TABLE				
			MATERIAL NO.	DOCUMENT NO.		SHEET NO.	
			SD-111145-0001			1 OF 3	
			THIS DRAWING CONTAINS INFORMATION THAT IS PROPRIETARY TO MOLEX INCORPORATED AND SHOULD NOT BE USED WITHOUT WRITTEN PERMISSION				

WIRING DIAGRAM					
P1 END			P2 END		
PAD	SIGNAL		PAD	SIGNAL	
12	RD-	<----	19	TD-	
13	RD+	<----	18	TD+	
18	TD+	---->	13	RD+	
19	TD-	---->	12	RD-	
02	Tx_Fault	NC NC	02	Tx_Fault	
03	Tx_Disable	NC NC	03	Tx_Disable	
04	SDA	■ ■	04	SDA	
05	SCL	■ ■	05	SCL	
06	Mod_ABS	NC NC	06	Mod_ABS	
07	RS0	NC NC	07	RS0	
08	Rx_LOS	NC NC	08	Rx_LOS	
09	RS1	NC NC	09	RS1	
15	VccR	NC NC	15	VccR	
16	VccT	NC NC	16	VccT	

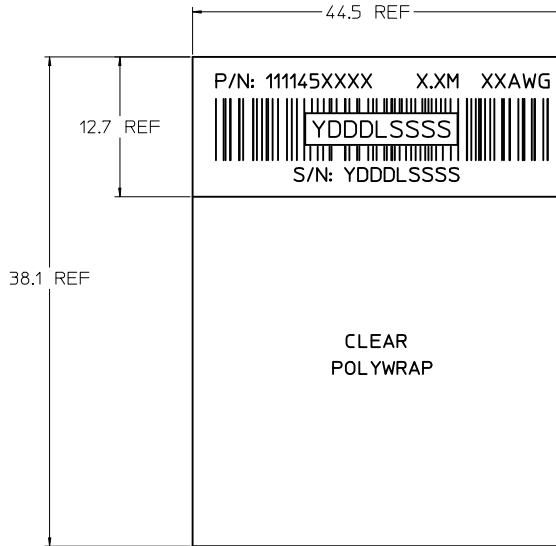
LEGEND:  
 ----> = THRU LINES  
 NC = NOT CONNECTED  
 ■ = CONNECTION TO A DEVICE ON THE PCB



<b>UPDATED P/N TABLE</b> IEC NO: CPG2016-1793 DRAWN: WALLACE01 2015/10/27 CHKD: APPR: CHIRSCHY 2015/10/28 REV DESCRIPTION	QUALITY SYMBOLS	GENERAL TOLERANCES (UNLESS SPECIFIED)	DIMENSION STYLE	SCALE	DESIGN UNITS	THIRD ANGLE PROJECTION	
	▽=0	4 PLACES ± mm ± INCH	MM ONLY	4:1	METRIC	☉	
	▽=0	3 PLACES ± 0.13 ± 0.005					
	▽=0	2 PLACES ± 0.25 ± 0.010					
		ANGULAR ± 2 °					
		DRAFT WHERE APPLICABLE MUST REMAIN WITHIN DIMENSIONS	SEE P/N TABLE				
			MATERIAL NO.	DOCUMENT NO.		SHEET NO.	
				SD-111145-0001		2 OF 3	
			THIS DRAWING CONTAINS INFORMATION THAT IS PROPRIETARY TO MOLEX INCORPORATED AND SHOULD NOT BE USED WITHOUT WRITTEN PERMISSION				

**CABLE ID LABEL**

PART NUMBER	LENGTH	TOL.	AWG
1111451051	0.5M	±0.05M	30
1111451101	1.0M	±0.05M	30
1111451201	2.0M	±0.05M	30
1111451251	2.5M	±0.05M	30
1111451301	3.0M	±0.05M	30
1111453201	2.0M	±0.05M	26
1111453301	3.0M	±0.05M	26
1111453401	4.0M	±0.05M	26
1111453501	5.0M	±0.08M	26



P/N: SEE TABLE  
 S/N: Y = YEAR, LAST DIGIT OF YEAR  
 DDD = DAY OF THE YEAR  
 L = LOCATION - 1 = USA  
 2 = MEXICO  
 3 = CHINA  
 4 = PHILIPPINES

SSSS = SERIAL NUMBER  
 X.XM: CABLE LENGTH, SEE TABLE  
 XXAWG: WIRE GAGE, SEE TABLE

(DATE CODE ISO-8601 FORMAT)

NOTES :  
 CUSTOM CABLE LENGTH AND GAUGE AVAILABLE UPON REQUEST

UPDATED P/N TABLE EC NO: CPG2016-1793 DRWN: WALLACE01 2015/10/27 CHKD: APPR: CHIRSCHY 2015/10/28 REV DESCRIPTION	QUALITY SYMBOLS	GENERAL TOLERANCES (UNLESS SPECIFIED)	DIMENSION STYLE	SCALE	DESIGN UNITS	THIRD ANGLE PROJECTION
	▽=0	4 PLACES ± mm	MM ONLY	1:1	METRIC	☉
	▽=0	3 PLACES ± 0.13	INCH			
	▽=0	2 PLACES ± 0.25				
	ANGULAR ± 2 °	DRAFT WHERE APPLICABLE MUST REMAIN WITHIN DIMENSIONS	MATERIAL NO.	DATE	TITLE	
			SEE P/N TABLE	2015/07/28	ZSFP+ TO ZSFP+ 28G PASSIVE CABLE ASSEMBLY	
			SIZE D			
			THIS DRAWING CONTAINS INFORMATION THAT IS PROPRIETARY TO MOLEX INCORPORATED AND SHOULD NOT BE USED WITHOUT WRITTEN PERMISSION			

**molex**

DOCUMENT NO. SD-11145-0001

SHEET NO. 3 OF 3