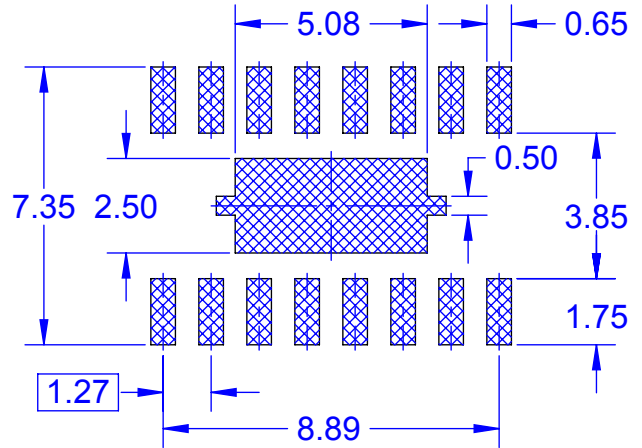
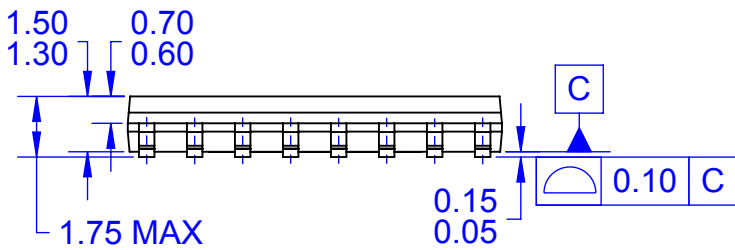


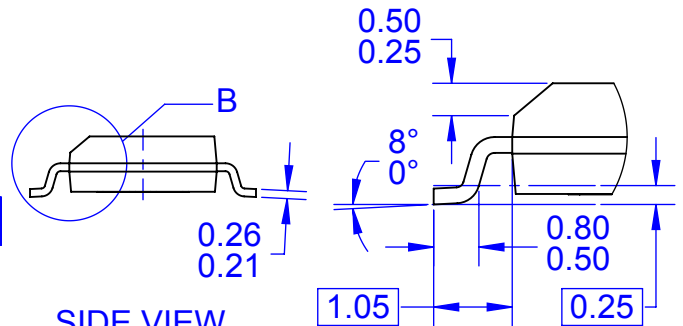
TOP VIEW



LAND PATTERN RECOMMENDATION

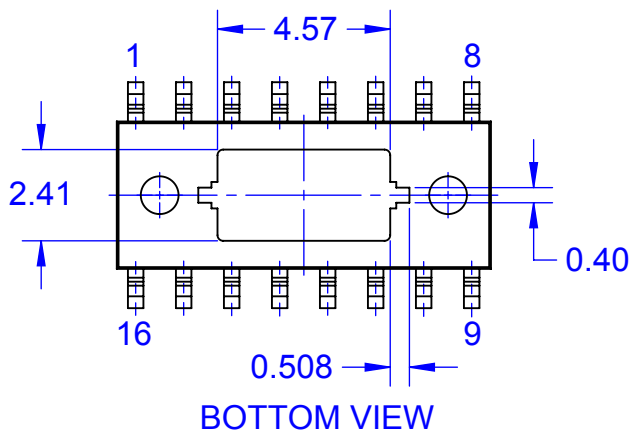


FRONT VIEW



SIDE VIEW

DETAIL B  
SCALE 2:1



BOTTOM VIEW

NOTES:

- A. NO INDUSTRY STANDARD APPLIES TO THIS PACKAGE
- B. ALL DIMENSIONS ARE IN MILLIMETERS
- C. DIMENSIONS DO NOT INCLUDE MOLD FLASH OR BURRS
- D. DRAWING FILENAME: MKT-M16Hrev1

