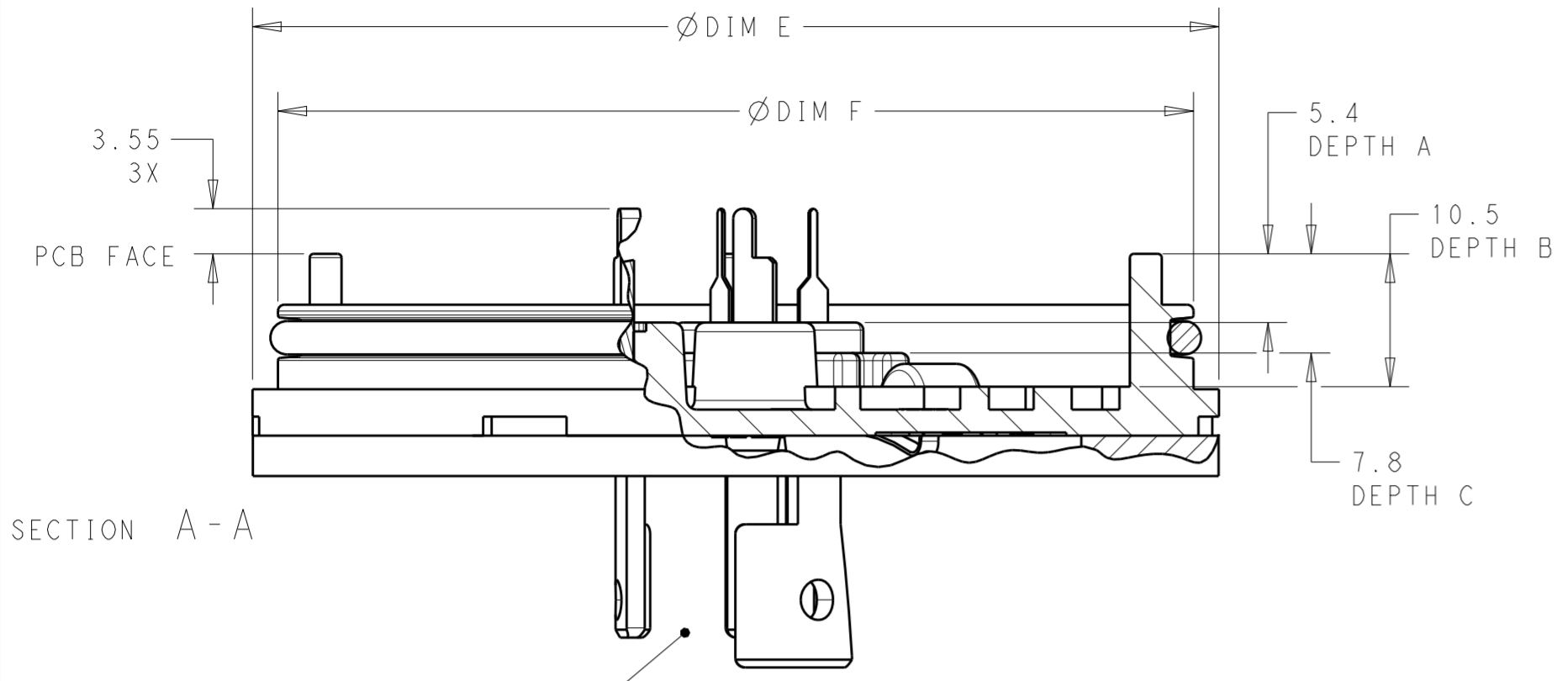
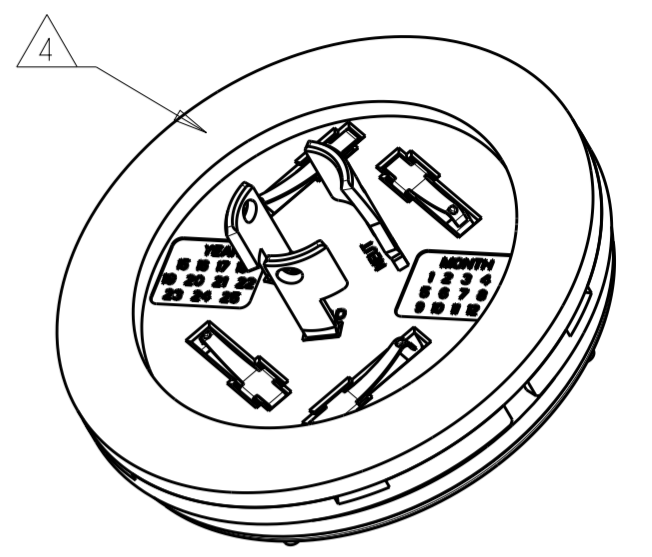


THIS DRAWING IS UNPUBLISHED. RELEASED FOR PUBLICATION 20
 © COPYRIGHT 20 BY - ALL RIGHTS RESERVED.

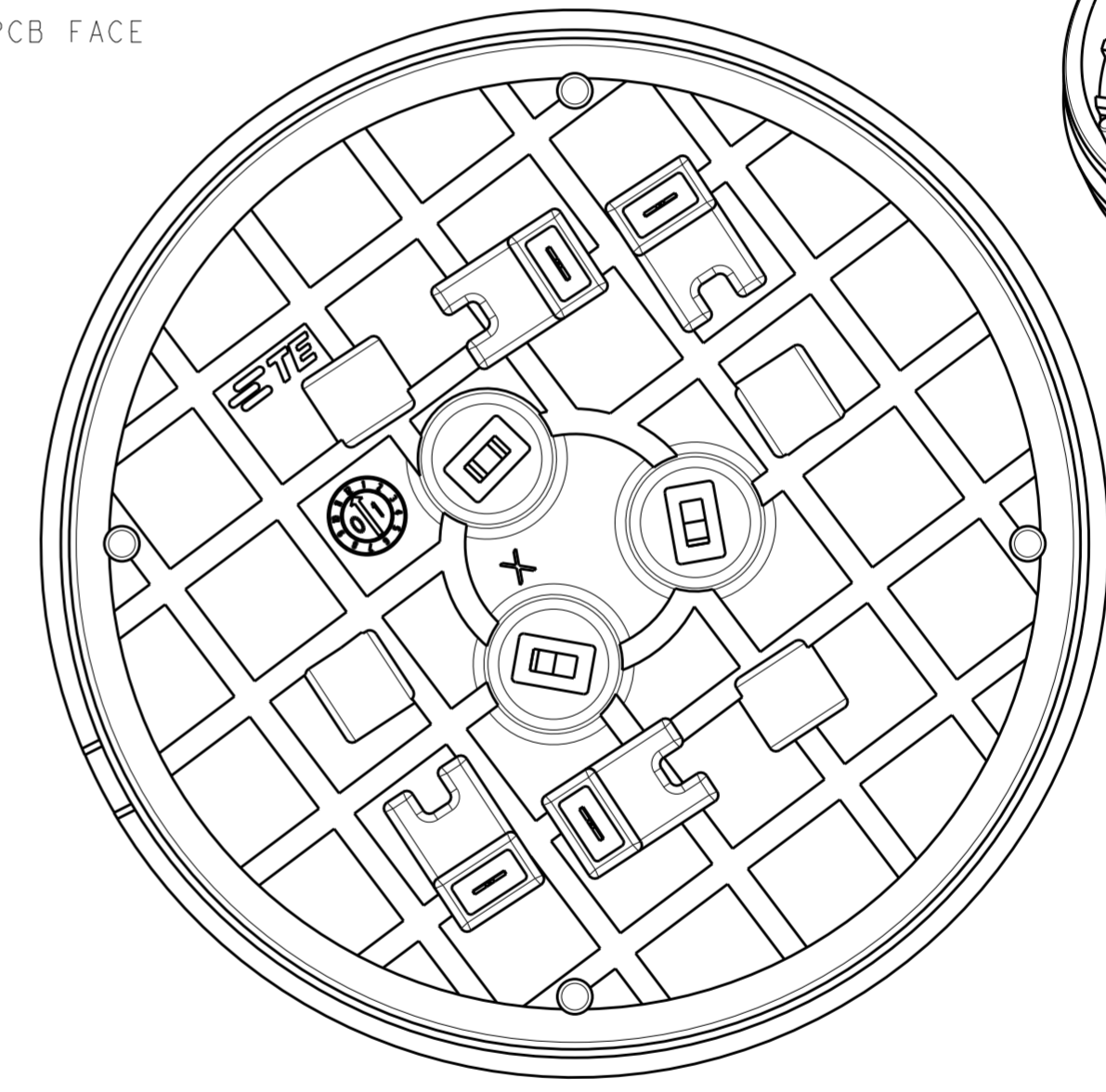
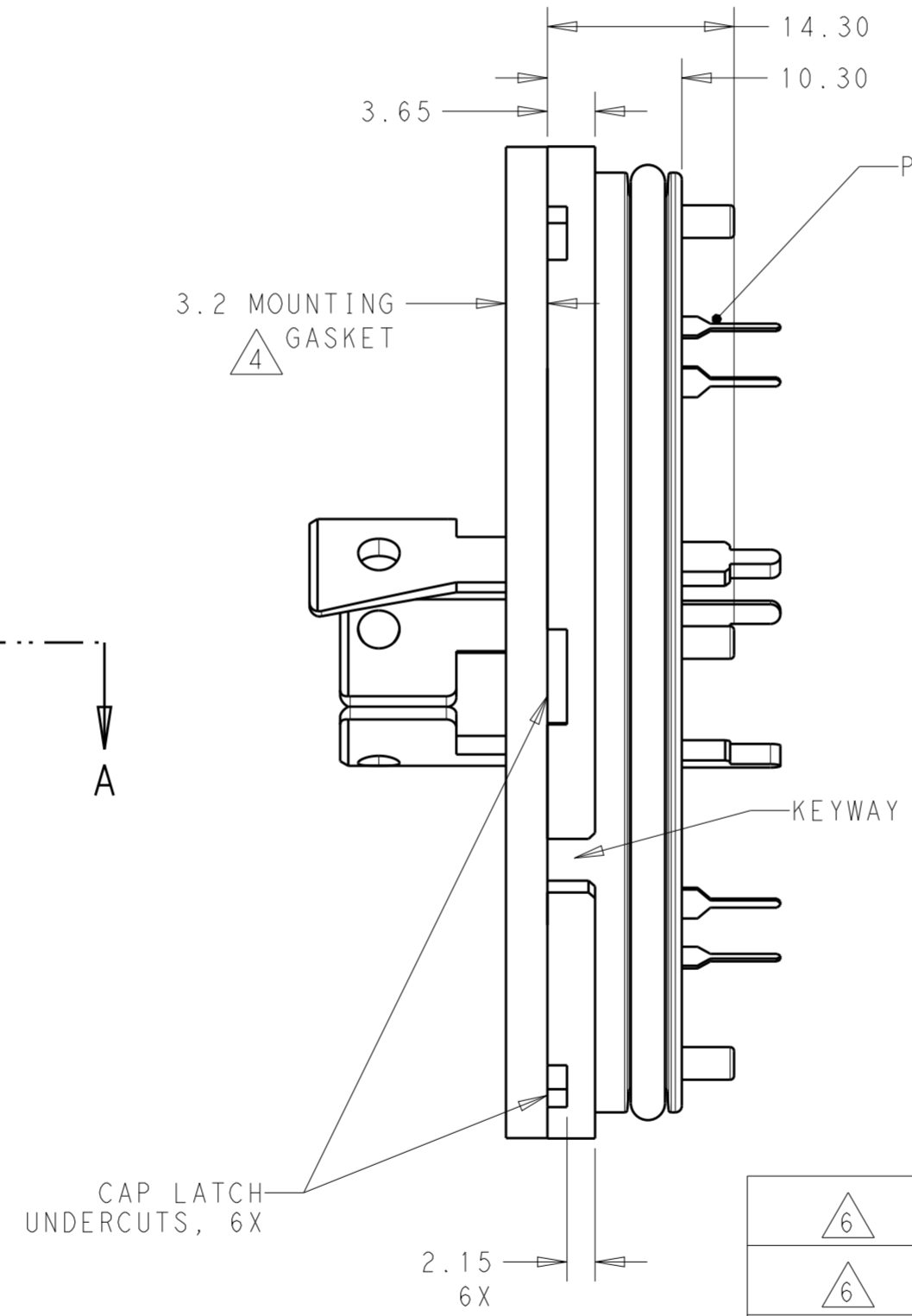
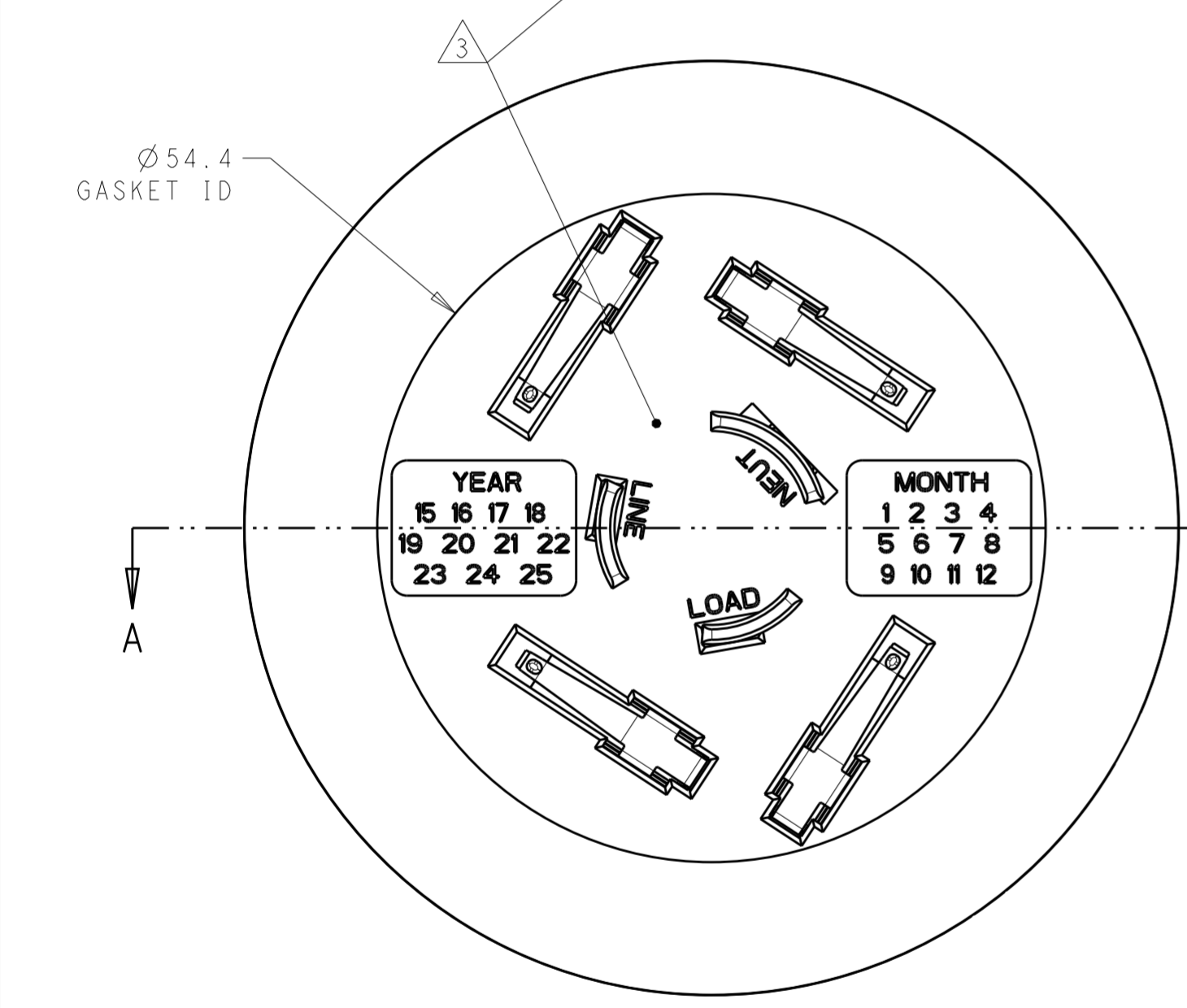
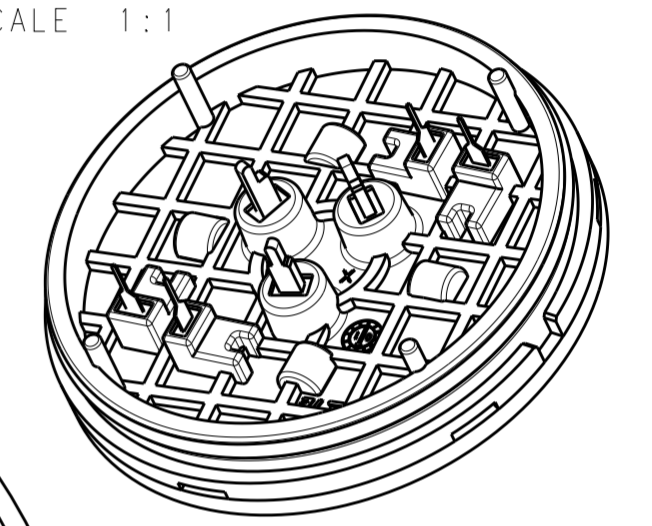
REVISONS		DATE	DWN	APVD
P	LTR	DESCRIPTION		
A		REVISED PER ECR-16-006614	10MAY2016	RS DD
A1		REVISED PER ECR-16-008842	22JUN2016	RS DD



- NOTES:
- 1 MATERIALS:
 HOUSING: PBT
 DIMMING CONTACTS (QTY. 4): COPPER ALLOY
 LINE VOLTAGE CONTACTS (QTY. 3): COPPER ALLOY
 GASKET: CROSS-LINKED POLYETHYLENE
 O-RING: SILICONE RUBBER
 - 2 FINISH:
 DIMMING CONTACTS: NICKEL UNDERPLATE ENTIRE
 CONTACT 0.127 µm MIN THICK. SELECTIVE GOLD PLATE CONTACT
 MATING AREA (MATING FACE SIDE ONLY) 0.76 µm MIN THICK.
 MATTE TIN PLATE TAB ON BOTH SIDES 0.30 µm MIN THICK.
 LINE VOLTAGE CONTACTS: MATTE TIN PLATE
 - 3 MATING INTERFACE PER ANSI C136.41-2013.
 - 4 ADHESIVE BACKED GASKET SUPPLIED BUT NOT INSTALLED
 - 5 MATING CAP TE P/N: 2213748-X
 - 6 NOT PRODUCTION TOOLED
 - 7. THIS PRODUCT HAS NOT COMPLETED VALIDATION TESTING.



SCALE 1:1



6	Ø87.00	Ø83.00	Ø76.00	Ø79.00	Ø82.00	Ø86.00	2213730-3
6	Ø81.00	Ø77.00	Ø70.00	Ø73.00	Ø76.00	Ø80.00	2213730-2
	Ø77.00	Ø73.00	Ø66.00	Ø69.00	Ø72.00	Ø76.00	2213730-1
NOTES	DIM Y	DIM X	DIM N	DIM M	DIM F	DIM E	PART NO.

THIS DRAWING IS A CONTROLLED DOCUMENT.

DWN: C. DAILY 28SEP2015
 CHK: E. HOWARD 28SEP2015
 APVD: -

STE TE Connectivity

NAME: BASE ASSEMBLY, LIGHT CONTROLLER

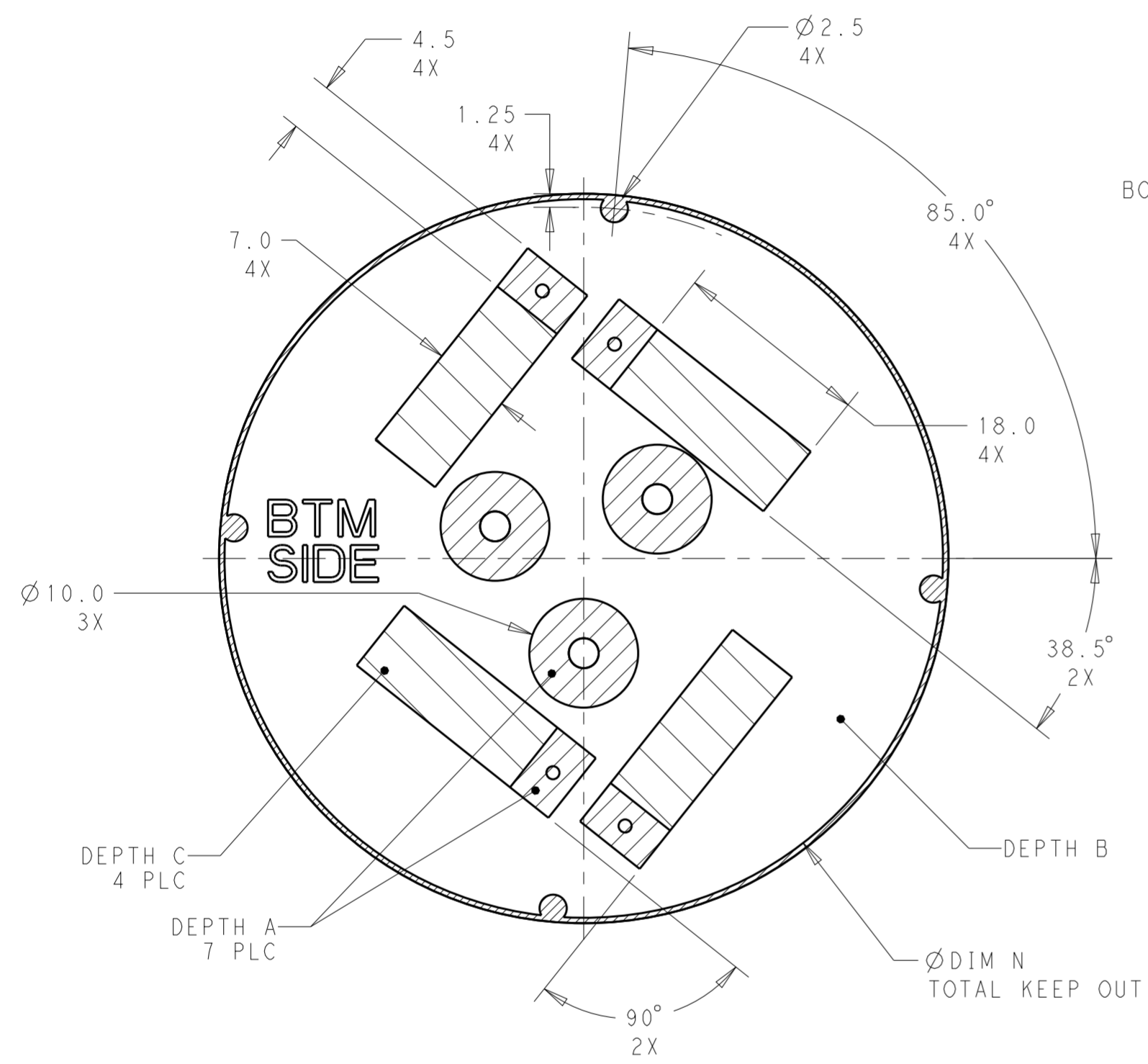
SIZE: A2 CAGE CODE: - DRAWING NO: C-2213730 RESTRICTED TO: -

MATERIAL: 1 - FINISH: 2 -

CUSTOMER DRAWING SCALE: 2:1 SHEET 1 OF 3 REV: A1

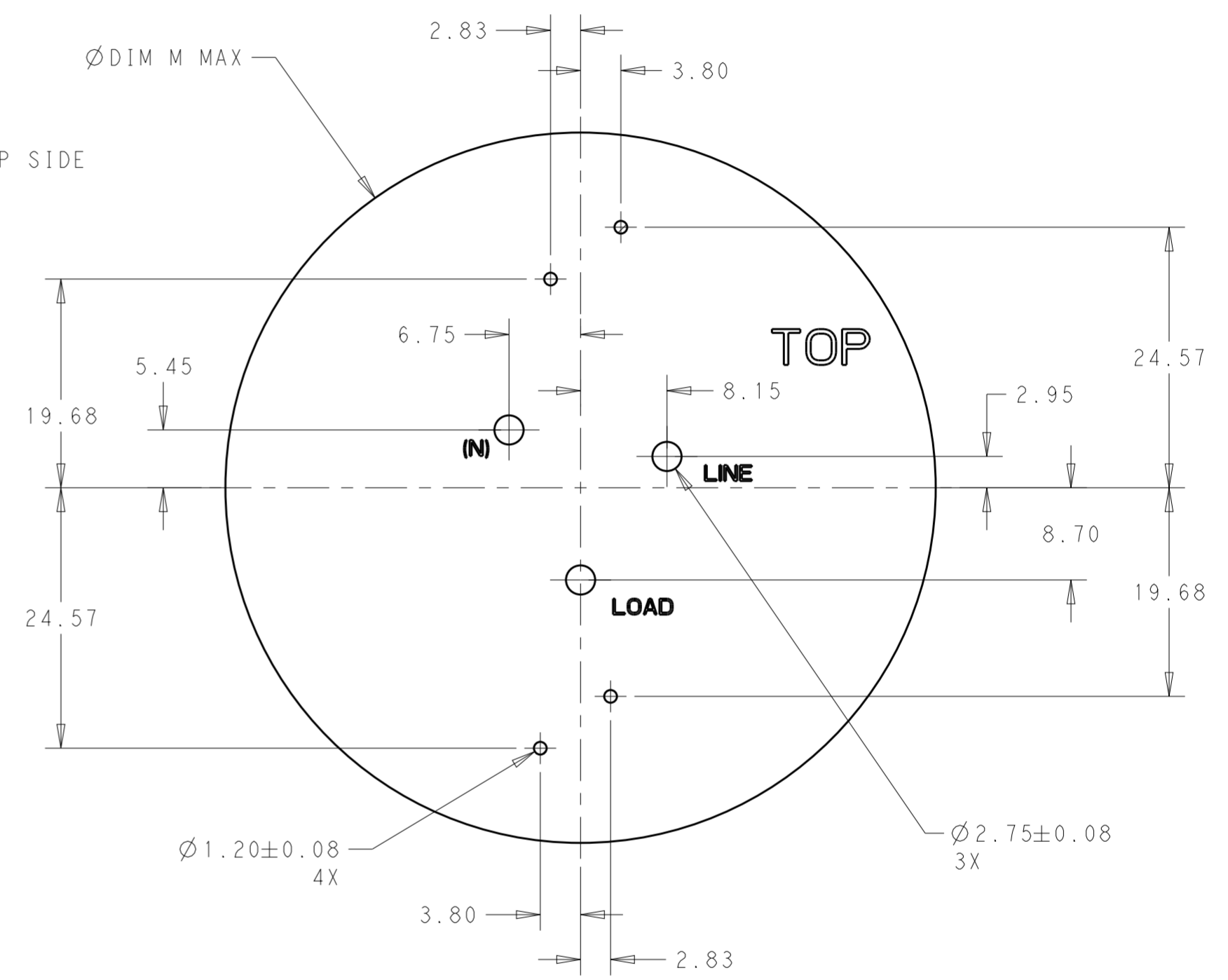
THIS DRAWING IS UNPUBLISHED. RELEASED FOR PUBLICATION 20
 © COPYRIGHT 20 BY - ALL RIGHTS RESERVED.

LOC		DIST		REVISIONS			
P	LTR	DESCRIPTION	DATE	DWN	APVD		
-	-	SEE SHEET 1	-	-	-		



COMPONENT KEEP OUT AREAS

BOTTOM SIDE TOP SIDE

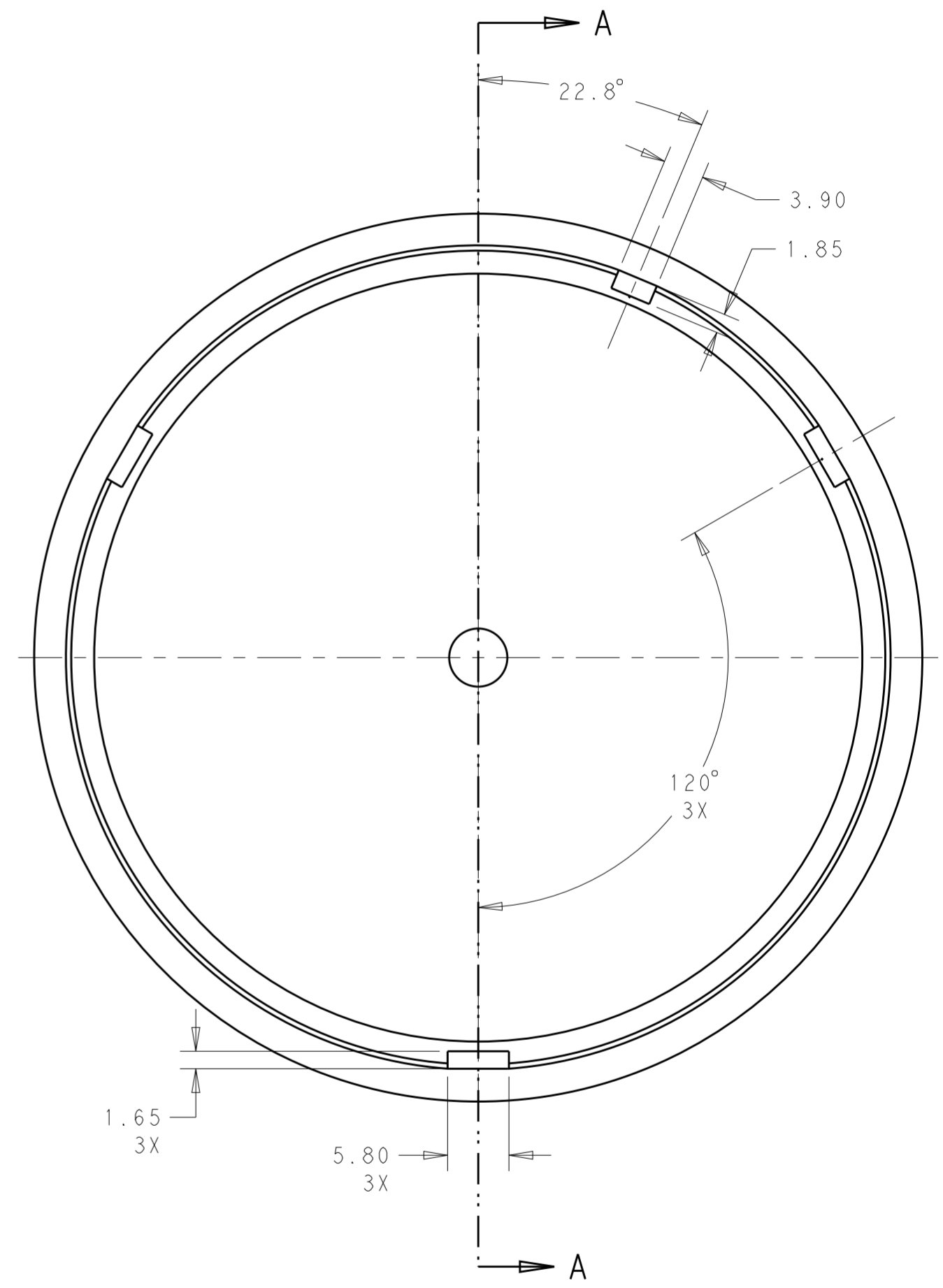
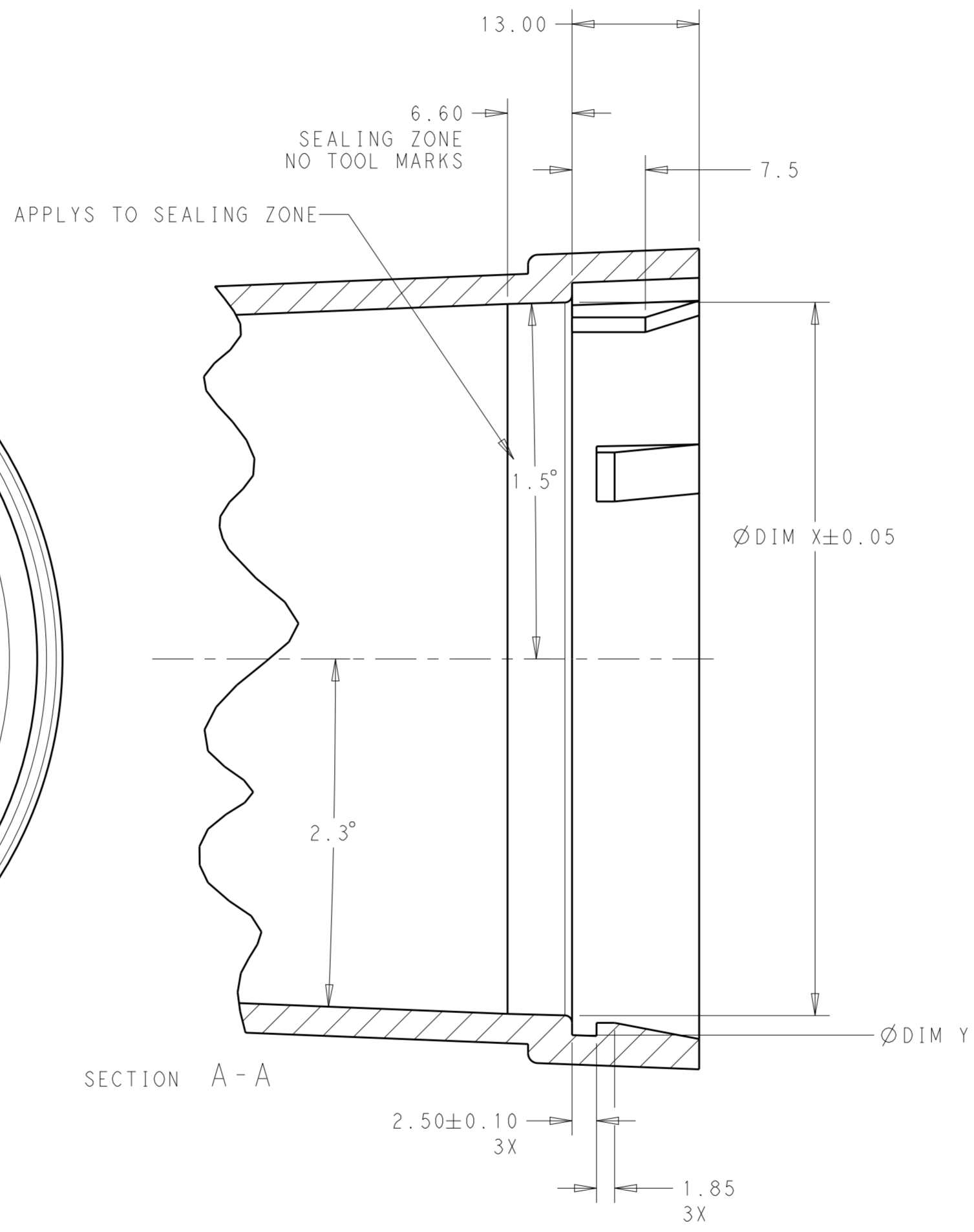
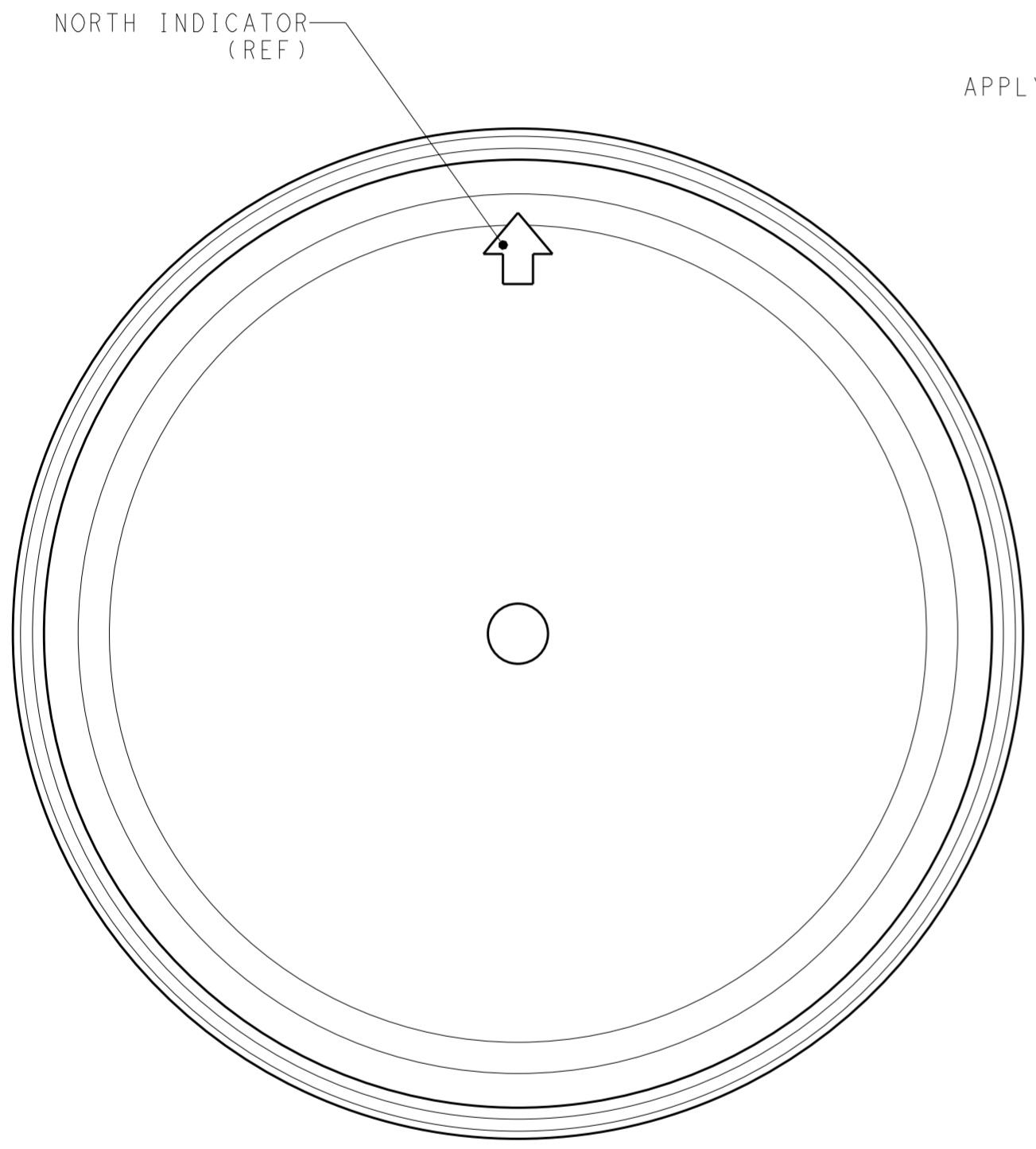


RECOMMENDED PCB SCALE 2:1

THIS DRAWING IS A CONTROLLED DOCUMENT.		DWN C. DAILY 28SEP2015	TE Connectivity	
		CHK E. HOWARD 28SEP2015		
DIMENSIONS: mm		TOLERANCES UNLESS OTHERWISE SPECIFIED: 0 PLC ± 1 PLC ±0.2 2 PLC ±0.13 3 PLC ± 4 PLC ± ANGLES ±3° FINISH -		NAME BASE ASSEMBLY, LIGHT CONTROLLER
MATERIAL -		APPLICATION SPEC - WEIGHT -		SIZE A2
		Customer Drawing		DRAWING NO C-2213730
		SCALE 2:1		RESTRICTED TO -
		SHEET 2 OF 3		REV A1

THIS DRAWING IS UNPUBLISHED. RELEASED FOR PUBLICATION 20
 © COPYRIGHT 20 BY - ALL RIGHTS RESERVED.

LOC		DIST		REVISIONS			
P	LTR	DESCRIPTION		DATE	DWN	APVD	
-	-	SEE SHEET 1		-	-	-	



MATING CAP DIMENSIONS $\triangle 5$

THIS DRAWING IS A CONTROLLED DOCUMENT.		DWN C. DAILY 28SEP2015	TE Connectivity	
		CHK E. HOWARD 28SEP2015		
DIMENSIONS: mm 		TOLERANCES UNLESS OTHERWISE SPECIFIED: 0 PLC ± 1 PLC ±0.2 2 PLC ±0.13 3 PLC ± 4 PLC ± ANGLES ±3° FINISH -		NAME BASE ASSEMBLY, LIGHT CONTROLLER
MATERIAL		APVD	PRODUCT SPEC	RESTRICTED TO
		APPLICATION SPEC	SIZE A2	CAGE CODE
		WEIGHT	DRAWING NO C-2213730	SCALE 2:1
		Customer Drawing	SHEET 3 OF 3	REV A1