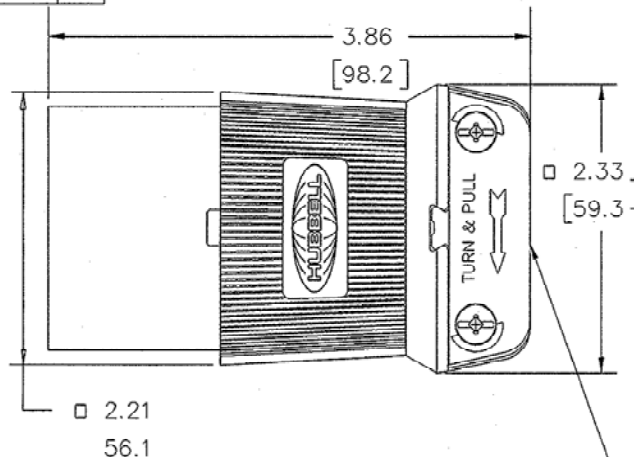
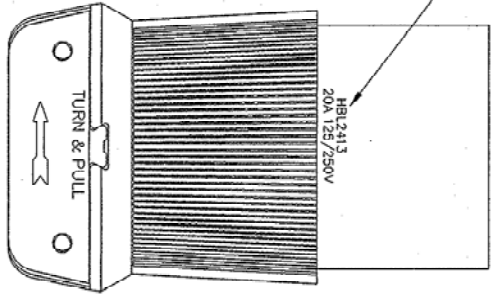


M-7902 6

CAT NO. & RATING PRINTED ON CONTACT BODY, COLOR CODE BY VOLTAGE



NOTES:

1. ALL SCREWS ARE COMBINATION PHILLIPS/SLOTTED/ROBERTSON HEAD.
2. REMOVED THIS NOTE.

NEMA NO.	RATING	POLE/WIRE	CAT NO.	CORROSION RESISTANT [B]	VOLTAGE COLOR CODE	UL	CSA	FED SPEC
L14-20R	125/250V	3P/4W GROUNDING	HBL2413 HBL2413BK [C]	HBL24CM13	ORANGE	YES	YES	YES
L15-20R	3ø250 VAC	3P/4W GROUNDING	HBL2423	HBL24CM23	BLUE	YES	YES	YES
L16-20R	3ø480 VAC	3P/4W GROUNDING	HBL2433	HBL24CM33	RED	YES	YES	YES
L18-20R	3øY 120/208VAC	4P/4W NON-GROUNDING	HBL2443	-----	BLUE	YES	NO	YES
L19-20R	3øY 277/480VAC	4P/4W NON-GROUNDING	HBL2453	-----	RED	YES	NO	YES
L20-20R	3øY 347/600VAC	4P/4W NON-GROUNDING	HBL2463	-----	BLACK	YES	NO	YES
L21-20R	3øY 120/208VAC	4P/5W GROUNDING	HBL2513 HBL2513BK [C]	HBL25CM13	BLUE	YES	YES	YES
L22-20R	3øY 277/480VAC	4P/5W GROUNDING	HBL2523	-----	RED	YES	YES	YES
L23-20R	3øY 347/600VAC	4P/5W GROUNDING	HBL2533	-----	BLACK	YES	YES	YES

CORD CLAMP RANGE
 □ 35-1.15
 [8.89-29.21]
 CORD RANGE:
 16/4 TYPE SJ
 TO
 8/5 TYPE S

LIST OF PARTS

DESCRIPTION	MATERIAL	FINISH
COVER	NYLON	BLACK
CORD CLAMP	NYLON	NATURAL
CONTACT BODY	NYLON	NATURAL
RETAINER	POLY	CLEAR
CONTACTS	CARBONATE	
	.031	
CENTER GROUND CONTACT & TERM LUG (5 WIRE)	BRASS	
WIRE CLAMP	.080 CRS	NICKEL PLATE
#10 TERMINAL SCREWS	BRASS	[A]
#10 GROUND SCREW	BRASS	GREEN
ASSEMBLY FASTENERS	STEEL	ZINC PLATE
DUST SHIELD	TPE	BLACK

- [A] WHITE FINISH ON NEUTRAL CONTACT WHEN USED.
- [B] CM DEVICES SAME AS ABOVE EXCEPT: COVER & CORD CLAMP YELLOW TERMINAL SCREWS & CONTACT-NICKEL PLATED WIRE CLAMPS - BRASS, NICKEL PLATE ASSEM FASTENERS - STAINLESS STEEL
- [C] BK DEVICES ARE SAME AS ABOVE EXCEPT ALL BLACK

6	ADDED DUST SHIELD TO LIST OF PARTS PER DCN 15675 SPN	DJP	4/22/09
5	REMOVE TOLS. FROM DIMS.: ADDED DIA RANGE & CORD RANGE TO "CORD CLAMP" CALLOUT PER DCN 11902 RCM	JPP	1/8/05

THE DESIGN AND DIMENSIONS OF THE PRODUCT SHOWN ON THIS DRAWING ARE SUBJECT TO CHANGE WITHOUT NOTICE

TITLE
 20A 4 & 5-WIRE
 TWIST-LOCK
 CONNECTOR

TOLERANCES UNLESS OTHERWISE SPECIFIED	WIRING DEVICE-KELLEMS HUBBELL INCORPORATED BRIDGEPORT, CT		
FRACTIONS N/A	DR. BY B.C.	APP. BY DJP	
DECIMALS N/A	TR. BY	SCALE NONE	
ANGLES N/A	CHK'D BY DJP	DATE 02/12/98	

LEGEND: IN. [mm]

DIMENSION SHEET FOR CAT. NO. M-7902
 SEE TABLE
 REPAIRABLE NON-REPAIRABLE
 B
 M-7902
 6